

MAHINDRA

T R A C T O R S

PARTS CATALOGUE ES25 4WD

Click here to go on

[INDEX](#)

[Main Menu](#)



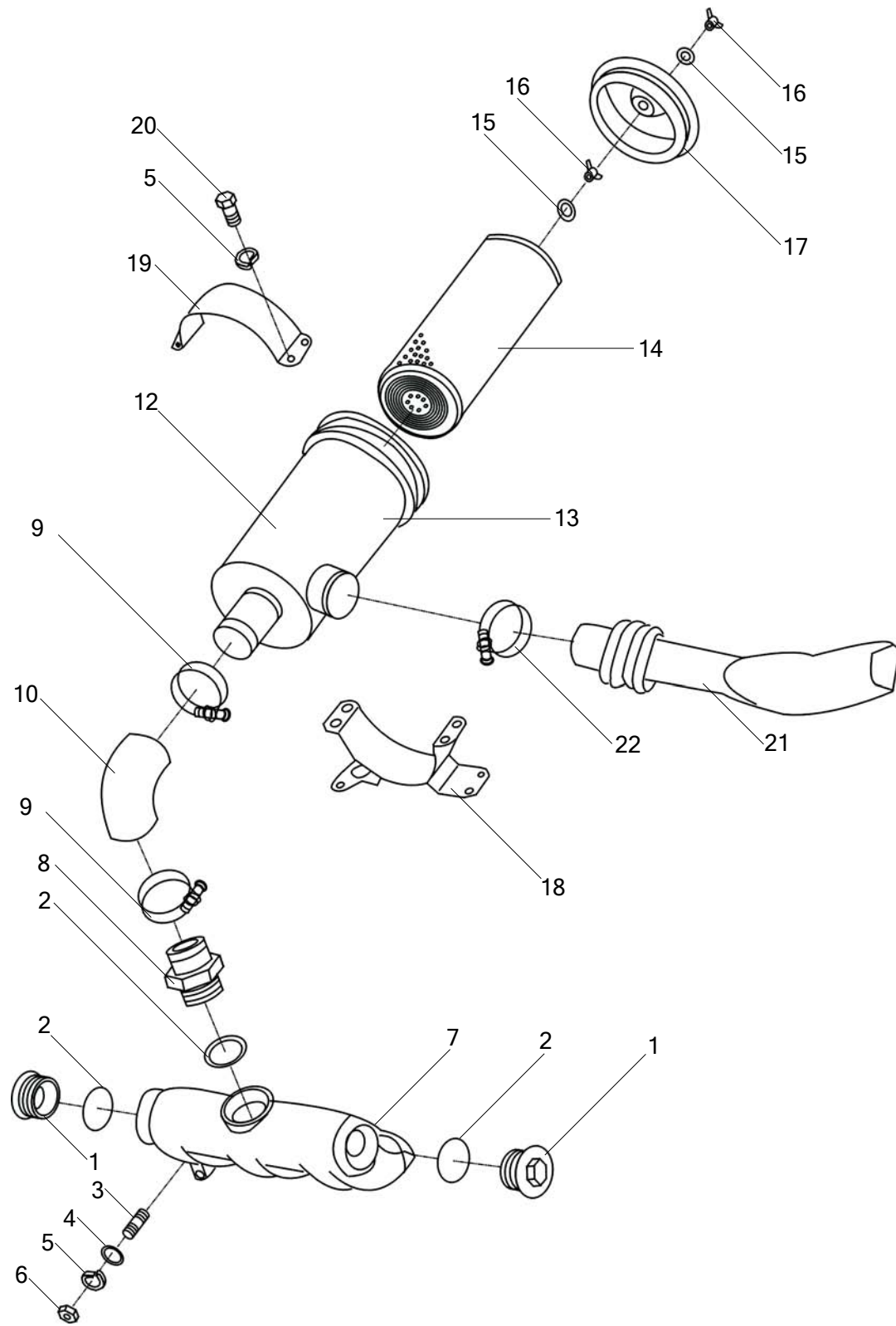
Cultivate
Your
DreamsSM

Aggregate:	Sub Aggregate	Description
Engine	Air Intake System	Air Intake System 2-3
	Exhaust System	Exhaust Manifold and Silencer 4-5
	Cooling System	Cooling Water Pump & Fan 6-7
		Radiator & Hoses 8-9
	Main Parts	Cylinder Head and Cover 10-15
		Cylinder Block, Flywheel Housing and Liner 16-19
		Front Cover and Plate 20-21
		Lubricating Oil Sump 22-23
		Hydraulic Pump Bracket and Gear 24-25
	Valve System	Camshaft, Tappet and Push Rod 26-27
	Crank Group	Crankshaft and Flywheel 28-29
	Piston & Sleeves	Piston, Connecting Rod and Cylinder Liner 30-31
	Lubrication System	Lubricating Oil Pump 32-33
Lubricating Oil Filter 34-35		
Fuel System	Fuel Injection Pump, Injector & Fuel System 36-37	
	Fuel Filter 38-39	
Section :	Throttle Linkages	
Throttle Linkages	Throtle Controls & Linkages 42-43	
Section :	Clutch	
Clutch	Clutch Cover and Pressure Plate 46-47	
	Clutch Pedal & Connections 48-49	
Section :	Front Axle	
Front Axle	Front Axle and Wheel Hub 52-57	
	Front Differential and Bracket 58-63	
Section :	Description	
Power Steering	PSU, Steering Wheel, Steering CyLnder and Pipings 66-69	
Section :	Transmission	
Transmission	Front Housing, F-R Shifter and Speed Shifter Mechanism 72-77	

Section : Transmission	
Transmission	Gears and Shafts 78-83
	Transfer Case and Drive Shaft 84-89
	Power Take Off 90-95
	Differential
	Differential Housing and Levers 96-99
	Differential Gears and Shaft 100-103
Rear Axle	Rear Axle 104-105
Section : Brakes	
Brakes	Disc Brakes 108-111
	Brake Pedal and Linkages 112-113
Section : Rim and Disc	
Wheels and Tires	Front Wheels and Tires.....116-117
	Rear Wheels, Tires and Weights 118-119
Section : Seat	
Seat and ROPS	Seat 122-123
	ROPS... 124-125
Section : Sheet Metal & Electrical System	
Sheet Metal & Electrical System	Hood and Instrument Panel..... 128-131
	Floor And Fenders..... 132-135
	Fuel Tank..... 136-137
	Stickers..... 138-139
	Electric System..... 140-141
Section : Hydraulics	
Hydraulics & Three Point Linkage	Hydraulic Lift Cover..... 144-147
	Distributor 148-153
	Three Point Linkage..... 154-155
	Hydraulic Pump & Pipes..... 156-157
Section : Attachments	
Attachments	Swinging Drawbar..... 160-161
	Front Weight..... 162-163
Section : Numerical Index	
Numerical Index	Numerical Index..... 166-176

Air Intake System

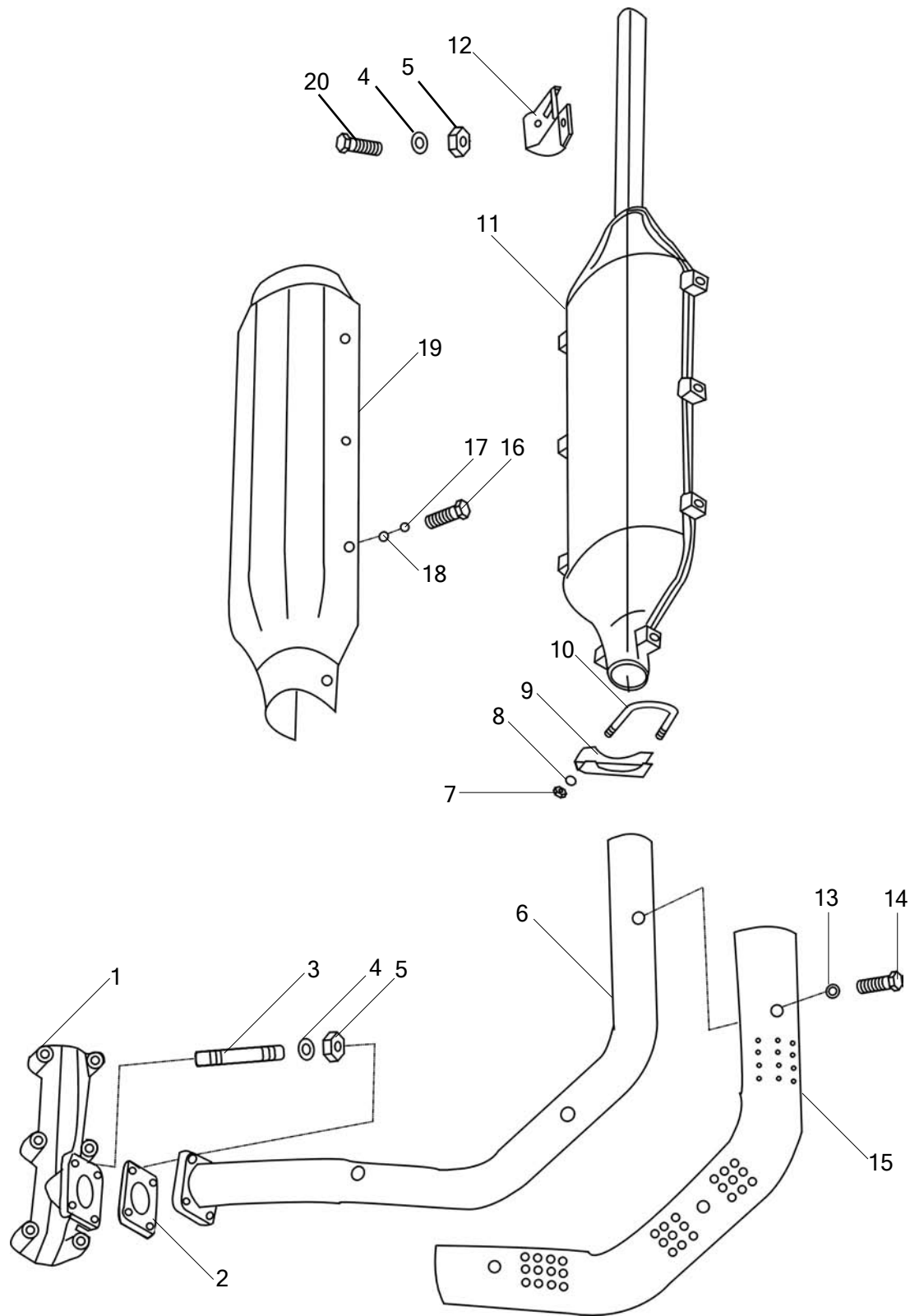
Air Intake System



MUSA Part Number	Ref.	Description of Part	Unit Quantity	Remarks/ Service Bulletin No.
			ES25 4WD	
1008104DAA	1	Inlet Manifold Cap	2	
G1235765531	2	O-Ring	3	
G89888AM816	3	Stud	4	
G97858200HV	4	Washer	3	
G93878	5	Washer	13	
G617086M86	6	Nut	10	
1008101DAA	7	Inlet Manifold	1	
1008103DAF	8	Inlet Manifold Joint	1	
1008150DAF	9	Clip	2	
1008105DAF	10	Inlet Manifold Elbow	1	
1109100DAF	11	Air Cleaner Assy(optional) Consists of:	1	
‡	12	▶ Air-Cleaner Housing	1	
‡	13	▶ Seal	1	
1109150DAF	14	▶ Air-Cleaner Filter Element	1	
‡	15	▶ Washer	2	
‡	16	▶ Nut	2	
‡	17	▶ Air Cleaner Cover	1	
1109051DAF	18	Air Cleaner Support	1	
1009012DAF	19	Air Cleaner Brace	1	
G578386M816	20	Bolt	4	
1109011DAG	21	Short pipe	1	
Q6766464	22	Clip	1	

Exhaust Manifold and Silencer

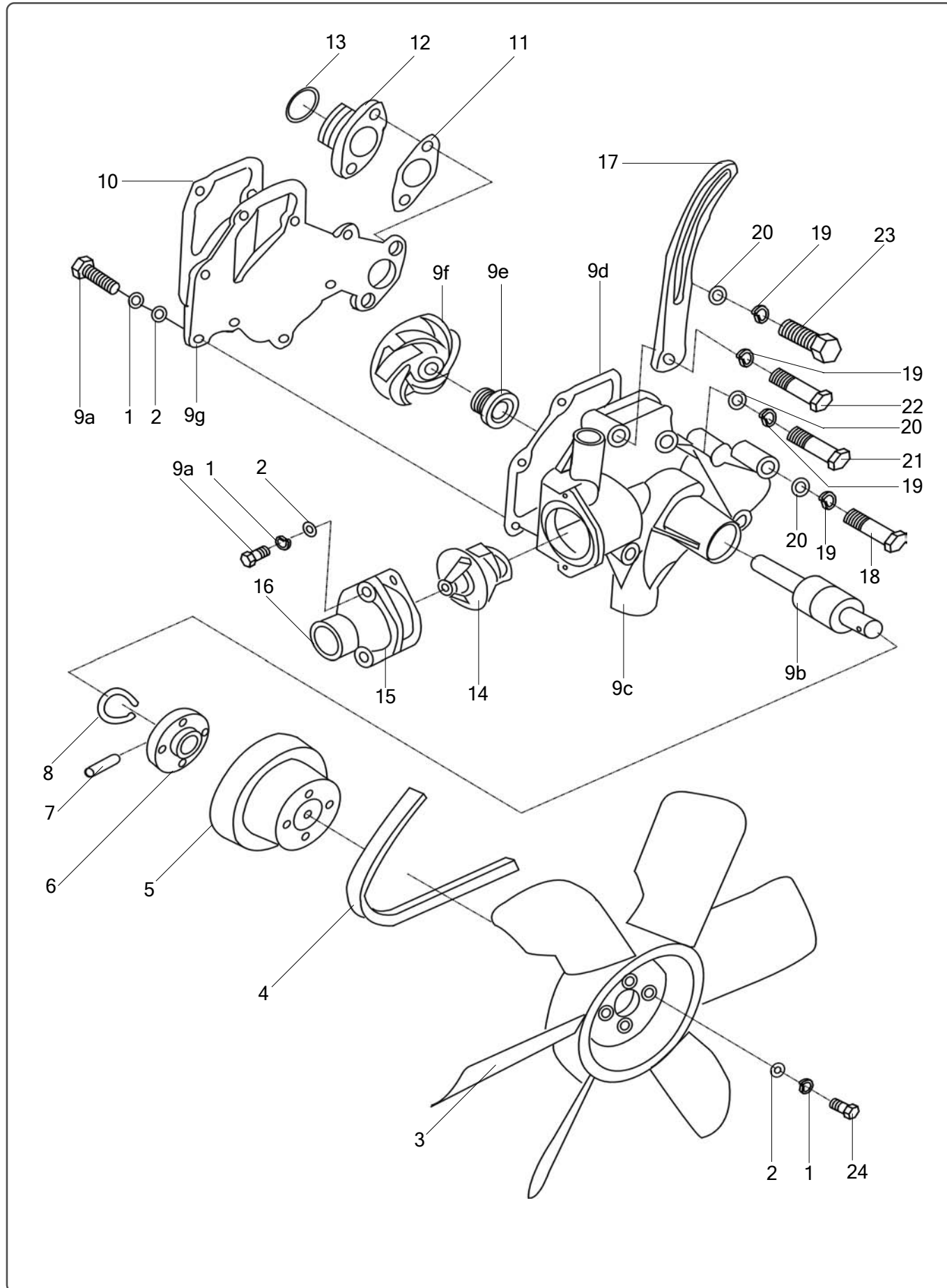
Exhaust Manifold and Silencer



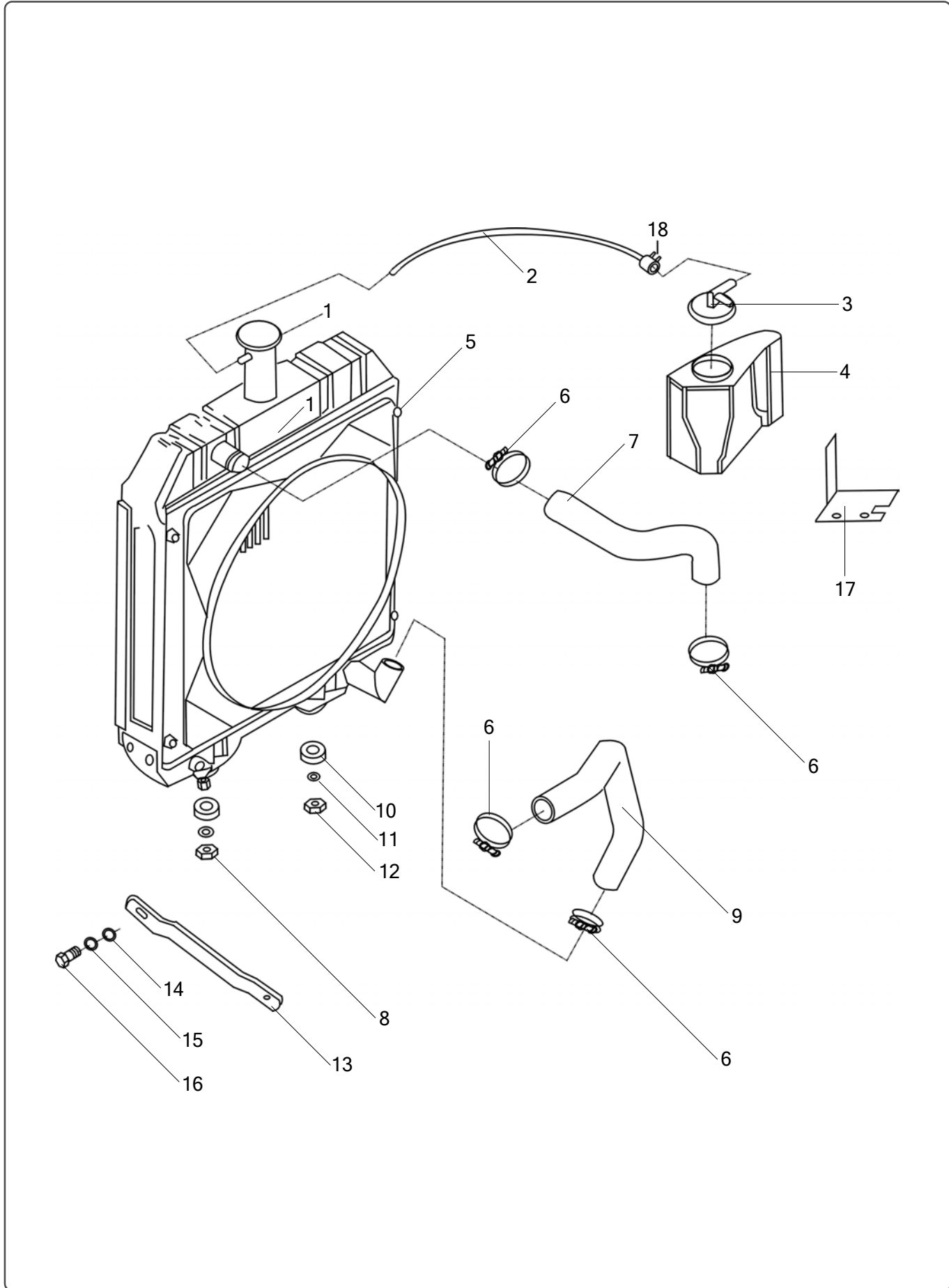
MUSA Part Number	Ref.	Description of Part	Unit Quantity	Remarks/ Service Bulletin No.
			ES25 4WD	
1008201DAG	1	Exhaust Manifold	4	
1008050DAA	2	Gasket	1	
G89888AM820	3	Stud	4	
G93878	4	Washer	8	
G617086M8	5	Nut	8	
1203011DAL	6	Exhaust syphon	1	
G617086M6	7	Nut	2	
G93876	8	Washer	5	
1201011DAG	9	Clip seat	1	
1201012DAG	10	U Clip	1	
1201100DAG	11	Muffler assy	1	
1201013DAH	12	Clamp	1	
G93876	13	Washer	3	
G578386M612	14	Bolt	3	
1203011DAL	15	Isolator	1	
G578386M612	16	Bolt	4	
G93876	17	Washer	4	
G97866200HV	18	Washer	10	
1201050DAG	19	Cover	1	
G578286M835	20	Bolt	1	

Cooling Water Pump & Fan

Cooling Water Pump & Fan

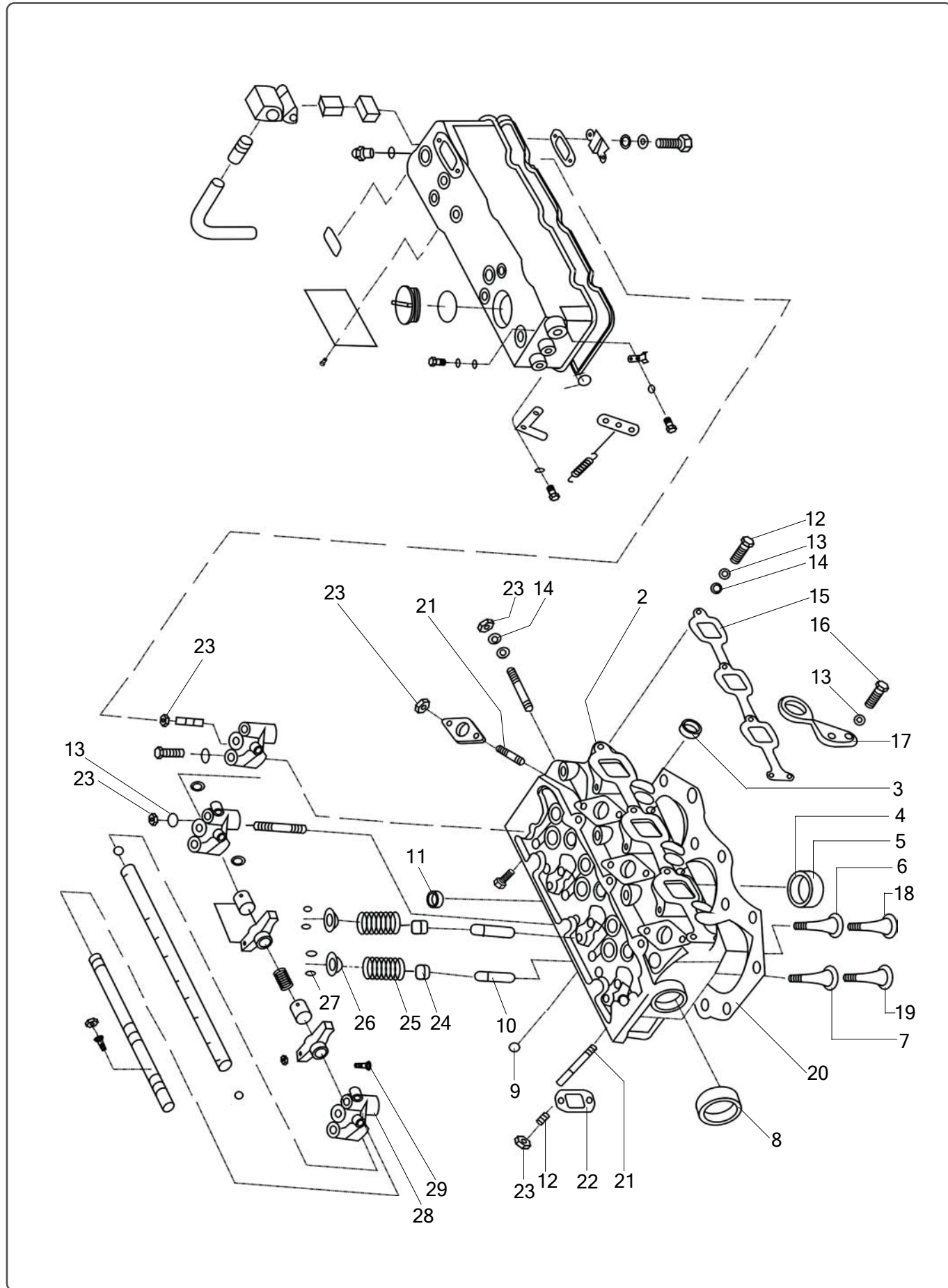


MUSA Part Number	Ref.	Description of Part	Unit Quantity	Remarks/ Service Bulletin No.
			ES25 4WD	
G93876	1	Washer	10	
G97856	2	Washer	10	
1308001DAA	3	Fan	1	
1307012DAB	4	Fan Belt	1	
1307011DAA	5	Water Pump Belt Pulley	1	
1307105DAA	6	Belt-Pulley Hub	1	
G11786428	7	Pin	1	
G8938630	8	Circlip	1	
1307001DAA	9	Water Pump Assly Consisting of :		
G578386M616	9a	▶ Bolt	6	
‡	9b	▶Water Pump Shaft and Bearing	1	
1307100DAA	9c	▶Pump Body	1	
1307103DAA	9d	▶Gasket	1	
‡	9e	▶Water Seal IIIF-13	1	
1307102DAA	9f	▶Pump Impeller	1	
1307104DAA	9g	▶Water Pump Cover	1	
1307013DAA	10	Gasket	1	
1307107DAA	11	Gasket	1	
1307106DAA	12	Outlet Flange	1	
G1235763231	13	O - Ring	1	
1307180DAA	14	Thermostat 155B	1	
1307108DAA	15	Gasket	1	
1307109DAA	16	Thermostat Cover	1	
1307014DAA	17	Brace	1	
G578286M840	18	Bolt	2	
G93878	19	Washer	6	
G97858200HV	20	Washer	5	
G578286M845	21	Bolt	2	
G578286M850	22	Bolt	1	
G578386M820	23	Bolt	1	
G578386M620	24	Bolt	6	



MUSA Part Number	Ref.	Description of Part	Unit Quantity	Remarks/ Service Bulletin No.
			ES25 4WD	
1303001DAG	*	Radiator Assy	1	
1301011DAA	1	Cover	1	
1301015DAL	2	Pipe	1	
‡	3	Cover	1	
1301050DAG	4	Sub water tank	1	
1301100DAG02	5	Radiator Assy	1	
ZBT320058840	6	Clip	4	
1303011DAA	7	Outlet pipe	1	
‡	8	Valve	1	
1303012DAG	9	Inlet pipe	1	
1301014DAG	10	Gasket	2	
G978512	11	Washer	2	
G617086M12	12	Nut	2	
1301012DAG	13	Bracket	1	
G97858	14	Washer	1	
G93878	15	Washer	1	
G578386M12	16	Screw	1	
1301013DAL	17	Bracket	1	
Q673B09	18	Clip	2	

Cylinder Head and Cover

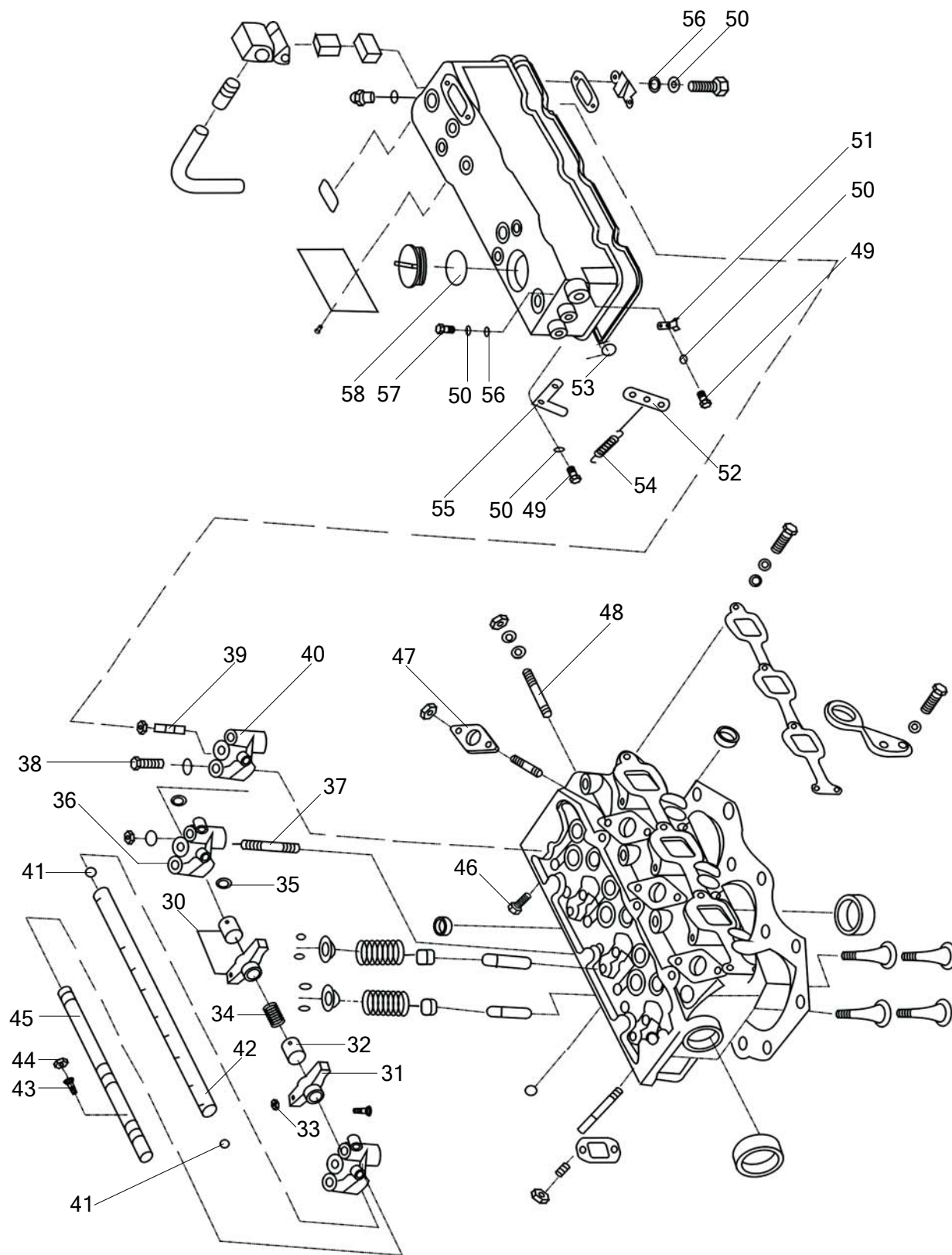


Cylinder Head and Cover

MUSA Part Number	Ref.	Description of Part	Unit Quantity	Remarks/ Service Bulletin No.
			ES25 4WD	
1003100DAA	1	Cylinder Head Assy Consists of:	1	
1003101DAA	2	→Cylinder Head	1	
1003114DAA	3	→Plug	3	
1003106DAA	4	→Whirl Chamber Insert	3	
G308843	5	→Ball	3	
1003102DAA	6	→Intake Valve Seat	3	
1003103DAA	7	→Exhaust Valve Seat	3	
1003115DAA	8	→Plug	1	
1003112DAA	9	→Plug	3	
1003104DAA	10	→Valve Guide	6	
1003113CAA	11	→Plug	3	
G89888AM825	12	Stud	3	
G93878	13	Washer	22	
G97858	14	Washer	4	
1008014DAA	15	Intake Manifold Gasket	1	
G578386M830	16	Bolt	2	
1003022DAA	17	Lifting Eye	2	
1003011DAA	18	Intake Valve	3	
1003012DAA	19	Exhaust Valve	3	
1002060DAA	20	Cylinder Head Gasket	1	
G89888AM855	21	Stud	10	
1008060DAA	22	Exhaust Manifold Gasket	3	
G617086M86	23	Nut	16	
1003060DAA	24	Valve Stem Seal	6	
1003013DAA	25	Valve Spring	6	
1003017DAA	26	Valve Spring Upper Seat	6	
1003018CAA	27	Valve Collets	12	
1007103DAA	28	Rocker Bracket (Back)	1	
1007107DAA	29	Adjusting Screw	6	

Cylinder Head and Cover

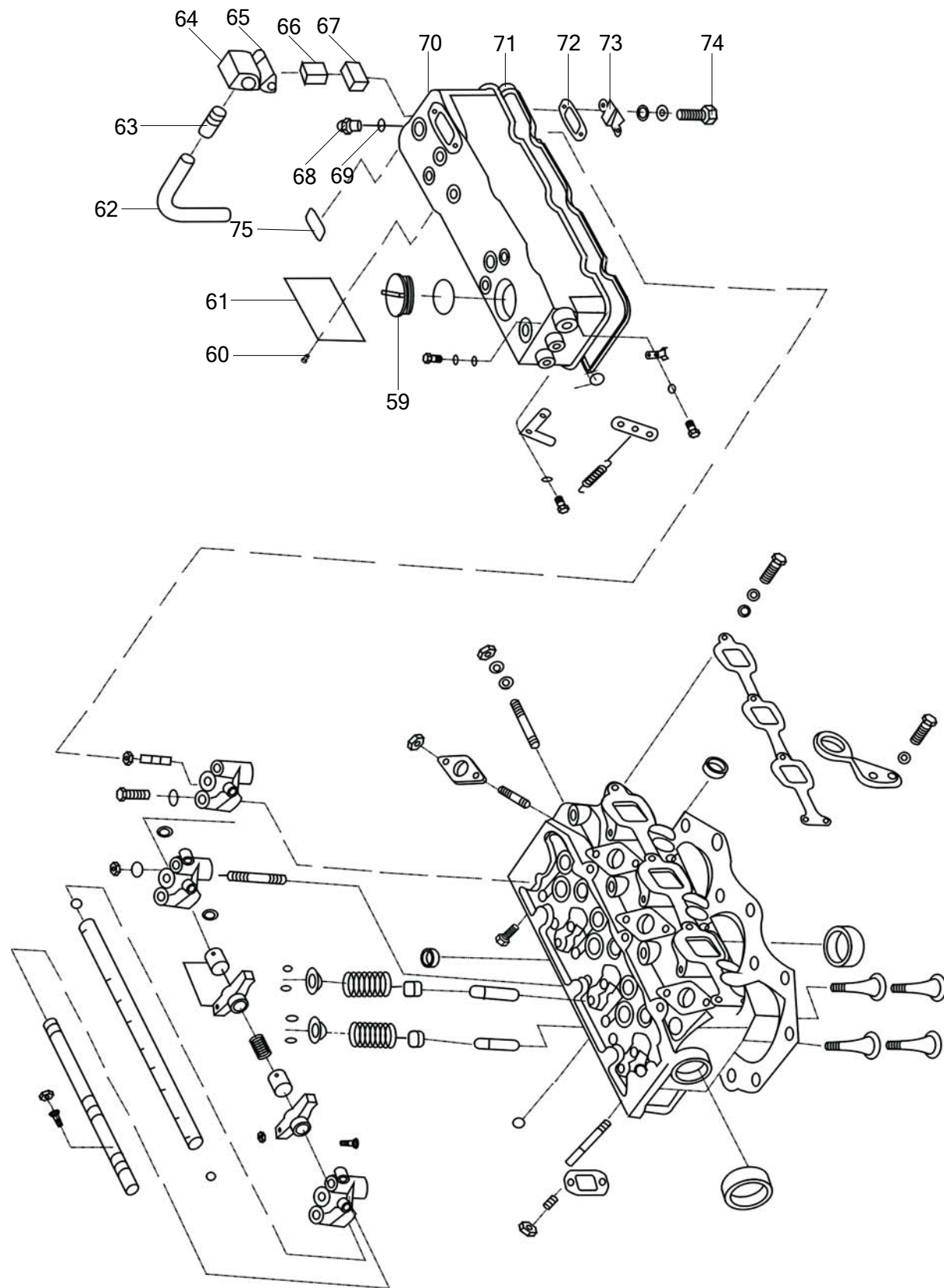
Cylinder Head and Cover



MUSA Part Number	Ref.	Description of Part	Unit	Remarks/ Service Bulletin No.
			Quantity ES25 4WD	
1007150DAA	30	Rocker Assy Consists of:	6	
1007151DAA	31	▶ Rocker	6	
1007152DAA	32	▶ Rocker Bushing	6	
G617186M86	33	Nut	6	
1007104DAA	34	Spring	3	
G8968612	35	Circlip	2	
1007102DAA	36	Rocker Bracket (Middle)	2	
G89886M870	37	Stud	3	
G578286M850	38	Bolt	5	
1007105DAA	39	Stud	4	
1007101DAA	40	Rocker Bracket (Front)	1	
71000810	41	Plug	2	
1007161DAA	42	Rocker Shaft	1	
1007109DAA	43	Decompressing Screw	3	
G6172866	44	Nut	3	
1007111DAA	45	Decompressing Shaft	1	
G578386M820	46	Bolt	2	
1003015DAA	47	Injector Stopper	3	
G89888M865	48	Stud	6	
G578386M612	49	Bolt	4	
G93876	50	Washer	7	
1003211DAA	51	Decompressing Handle Stopper	1	
1003270DAA	52	Decompressing Lever	1	
G1235761424	53	O- Ring	1	
1003208DAA	54	Retracting Spring	1	
1003209DAA	55	Hanger	1	
G972856	56	Washer	3	
1003207DAA	57	Set Screw	1	
G1235763831	58	O-Seal Ring	1	

Cylinder Head and Cover

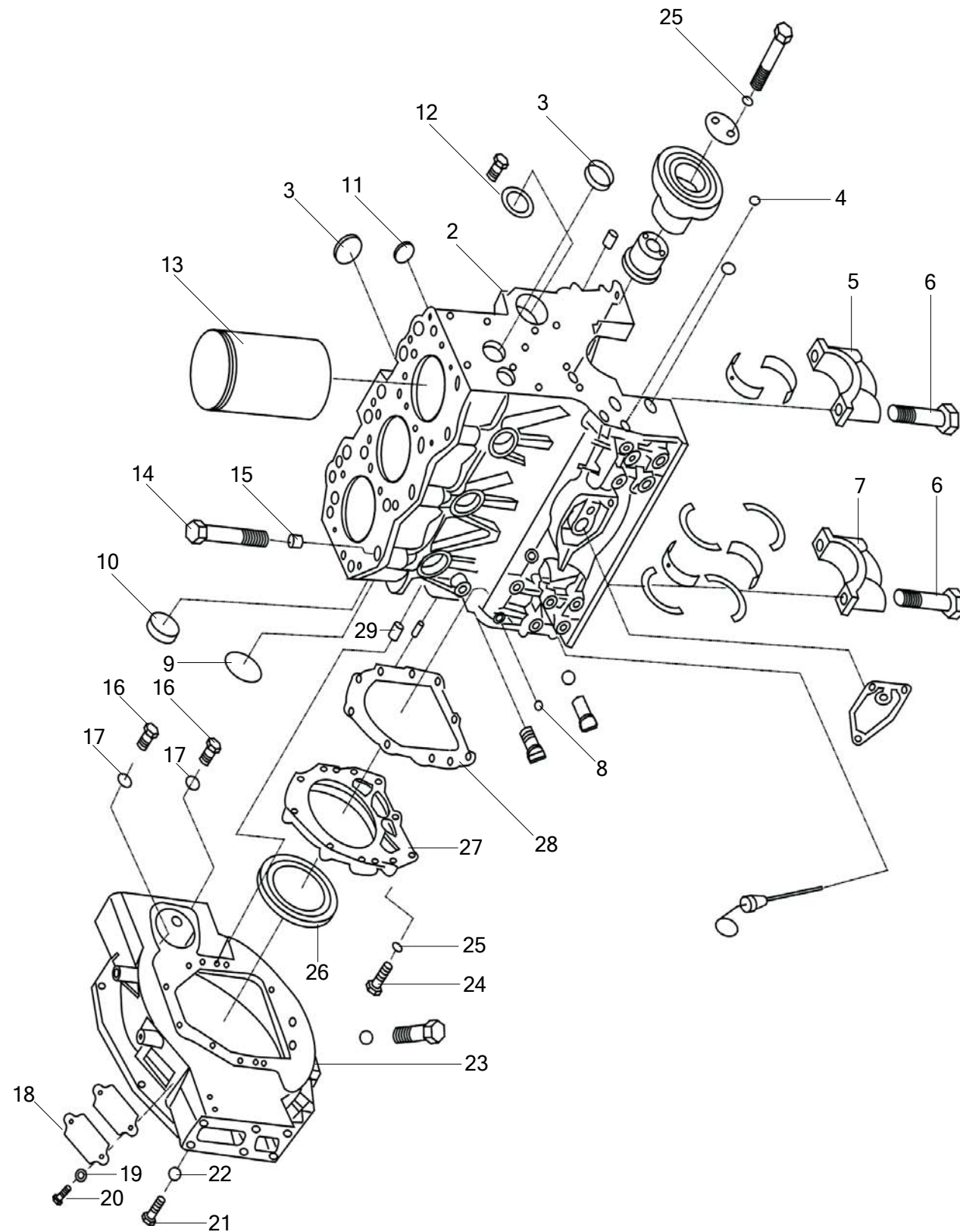
Cylinder Head and Cover



MUSA Part Number	Ref.	Description of Part	Unit Quantity	Remarks/ Service Bulletin No.
			ES25 4WD	
1003202DAA	59	Oil Filler Cap	1	
G8278625	60	Rivet	4	
1003273DAL01	61	Nameplate	1	
1003204DAA01	62	Long Breathing Pipe	1	
1003255DAA	63	Short Breathing Pipe	1	
1003251DAA	64	Breather Housing	1	
1003256DAA	65	Breather Seal	1	
1003260DAA	66	Frame	1	
1003254DAA	67	Gauze	1	
1003023DAA	68	Cylinder Head Nut	4	
G1235761624	69	O-Ring	4	
1003201DAA	70	Cylinder Head Cover	1	
1003205DAA	71	Seal	1	
1003253DAA	72	Perforated Hold Baffle	1	
1003252DAA	73	Baffle	1	
G6785M630	74	Screw	2	
1003206DAH02	75	EPA Label	1	

Cylinder Block, Flywheel Housing and Liner

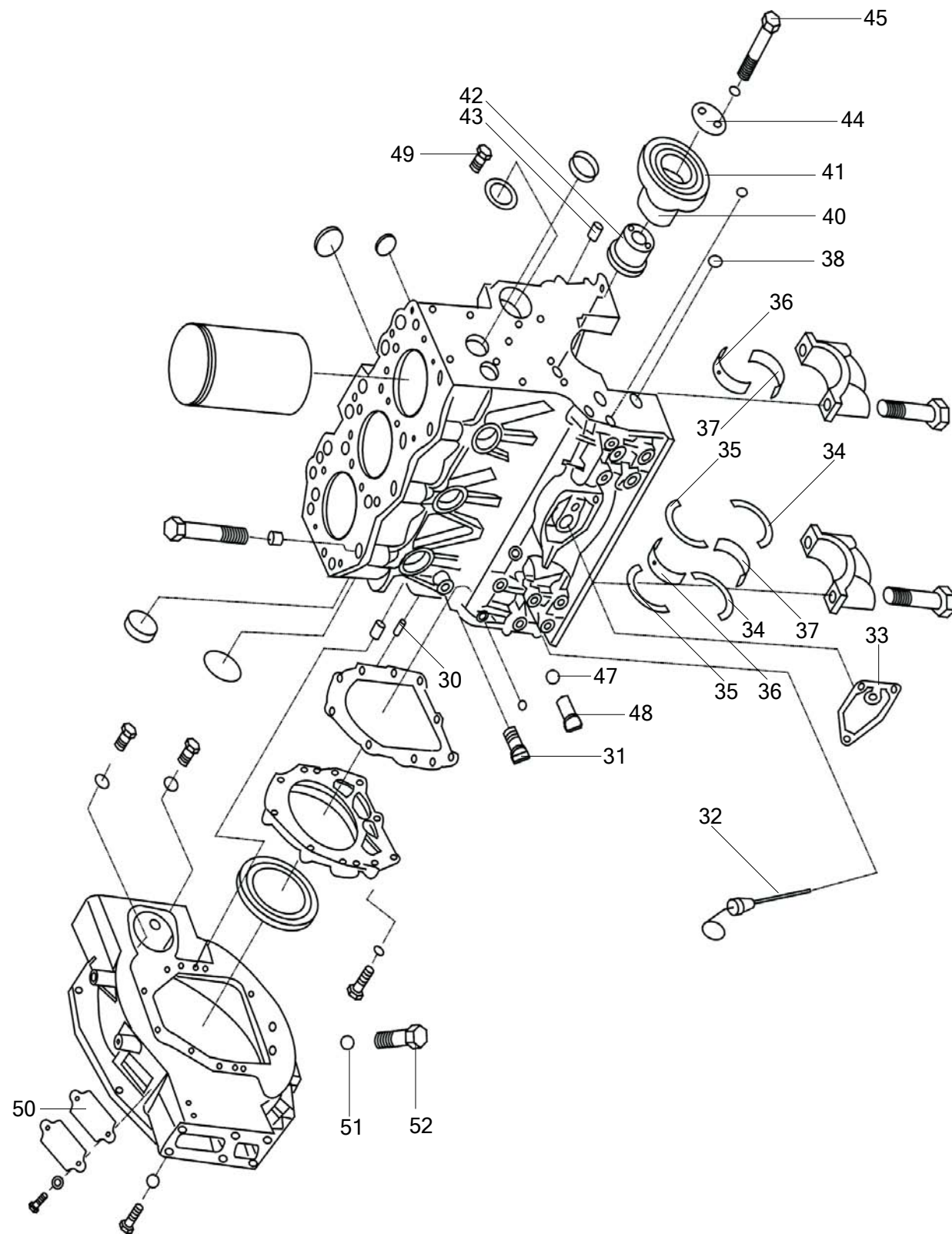
Cylinder Block, Flywheel Housing and Liner



MUSA Part Number	Ref.	Description of Part	Unit Quantity	Remarks/ Service Bulletin No.
			ES25 4WD	
1002100DAA	1	Cylinder Block Assy Consists of:	1	
1002101DAA	2	▶Cylinder Block	1	
1002115DAA	3	▶Plug	7	
1002111DAA	4	▶Plug	4	
1002103DAA	5	▶Main Bearing Cap	3	
1002108DAA	6	▶Main Bearing Cap Blot	8	
1002105DAA	7	▶Back Main Bearing Cap	1	
1002118DAA	8	▶Plug	3	
71000850	9	▶Plug	1	
1002116DAA	10	▶Plug	1	
1002114DAA	11	▶Plug	2	
1002106DAA	12	▶Bushing	1	
1002102DAA	13	Cylinder Liner	3	
1003014DAA	14	Cylinder Head Bolt	14	
1002024DAA	15	Cylinder-head Dowel Bushing	2	
G578386M1225	16	Bolt	2	
G938712	17	Washer	2	
1023012DAH	18	Cover Eyesight	1	
G93878	19	Washer	2	
G578386M816	20	Bolt	2	
G578386M1030	21	Bolt	11	
G938710	22	Washer	11	
1023011DAH01	23	Flywheel Housing	1	
G578386M830	24	Bolt	10	
G93878	25	Washer	10	
1002070DAA01	26	Crankshaft Seal	1	
1002022DAA	27	Crankshaft seal Cover	1	
1002023DAA	28	Gasket	1	
G11986A1016	29	Pin	1	

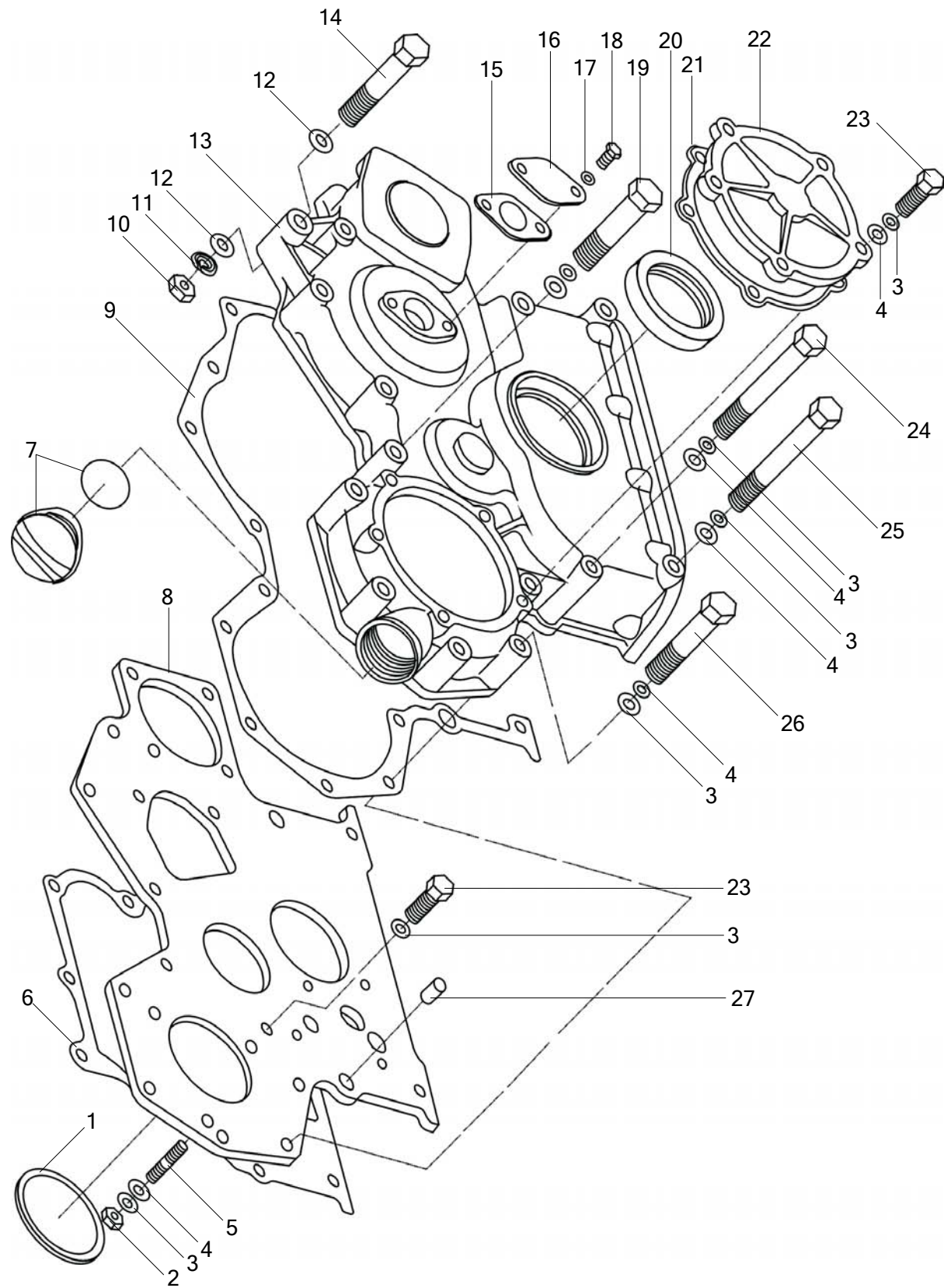
Cylinder Block, Flywheel Housing and Liner

Cylinder Block, Flywheel Housing and Liner



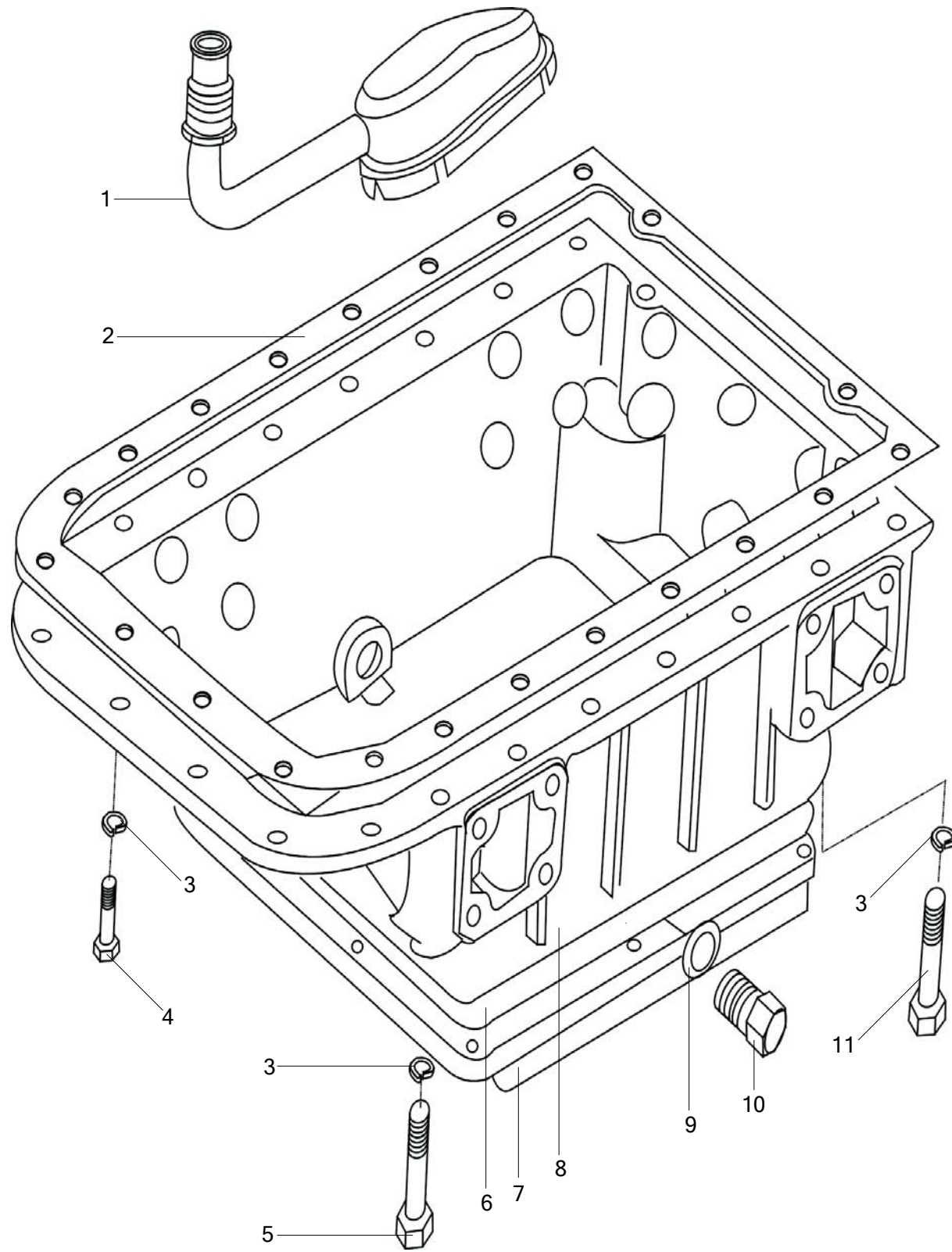
MUSA Part Number	Ref.	Description of Part	Unit Quantity	Remarks/ Service Bulletin No.
			ES25 4WD	
G11986A620	30	Pin	1	
1002080CAA	31	Drain valve	1	
1002050DAA01	32	Dipstick	1	
1012011DAA	33	Gasket	1	
1002014DAA	34	Thrust bearing (Lower)	2	
1002013DAA	35	Thrust bearing (upper)	2	
1002015DAA	36	Main Bering (upper)	4	
1002016DAA	37	Main Bering (lower)	4	
G1235762024	38	O-Ring	2	
1002350DAA	39	Idling Gear Assy Consists of:	1	
1002352DAA	40	→ Idling Gear Bush	1	
1002351DAA	41	→ Idling Gear	1	
1002301DAA	42	Idling Gear shaft	1	
1002019DAA	43	Dowel Bushing	1	
1002302DAA	44	Idling Gear Stopper	1	
G578386M850	45	Bolt	2	
1023015DAL	46	Plug	12	
710010145	47	Washer	1	
1002124DAA01	48	Connecter for oil sensor	1	
G7385M810	49	Screw	1	
1023014DAH	50	Gasket	1	
71001085	51	Washer	1	
1023013DAA	52	Drain Plug	1	

Front Cover and Plato



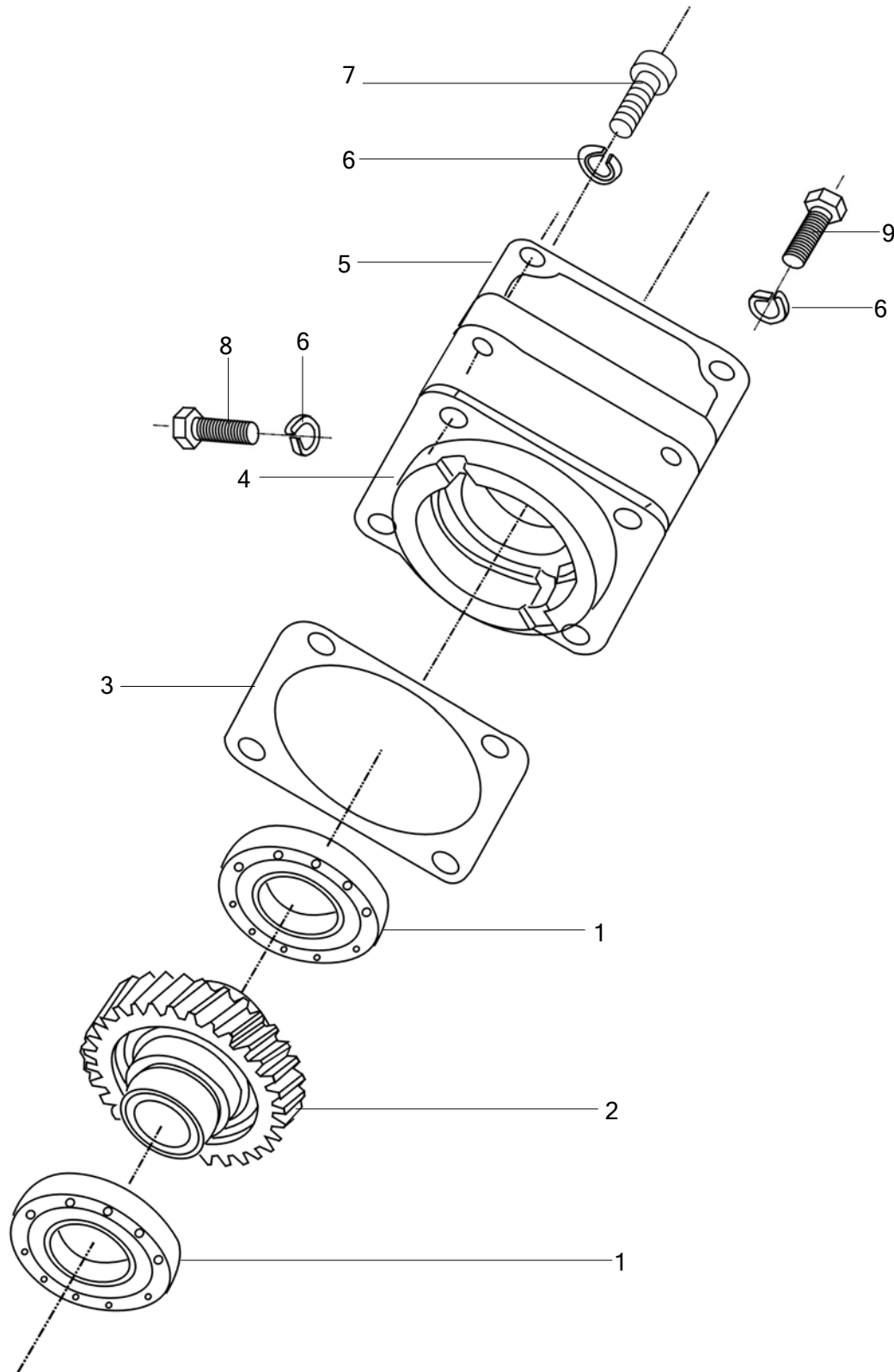
Front Cover and Plato

MUSA Part Number	Ref.	Description of Part	Unit Quantity	Remarks/ Service Bulletin No.
			ES25 4WD	
G1235767531	1	O-Seal Ring	1	
G617086M86	2	Nut	3	
G93878	3	Washer	24	
G927858	4	Washer	21.	
G89888AM830	5	Stud	3	
1002012DAA	6	Gasket	1	
1002460DAA01	7	Cap	1	
1002011DAA	8	Plate	1	
1002402DAA	9	Gasket	1	
G617086M10	10	Nut	1	
G938710	11	Washer	1	
G978510	12	Washer	2	
1002401DAA01	13	Gear House	1	
G578286M1090	14	Bolt	1	
1002407DAA	15	Gasket	1	
1002406DAA	16	Cover Plate	1	
G93876	17	Washer	2	
G578386M612	18	Bolt	2	
G578286M865	19	Bolt	2	
1002450DAA01	20	Oil Rubber Seal	1	
1002409DAA	21	Gasket	1	
1002408DAA	22	End Plate	1	
G578386M820	23	Bolt	8	
1002405DAA	24	Bolt - M8x87	2	
1002404DAA	25	Bolt - M8x92	2	
G578286M855	26	Bolt	7	
1002021DAA	27	Dowel Bushing	1	



MUSA Part Number	Ref.	Description of Part	Unit Quantity	Remarks/ Service Bulletin No.
			ES25 4WD	
1009600DAA	1	Inlet Pipe	1	
1009011DAA	2	Gasket	1	
G93878	3	Washer	39	
G578386M825	4	Bolt	29	
G578286M890	5	Bolt M	8	
1009052DAA	6	Gasket	1	
1009053DAA	7	Oil Pan (Lower)	1	
1009051DAA	8	Oil Pan(upper)	1	
G1235762024	9	O-Ring	2	
1009012DAA	10	Draining Plug	2	
G578286M875	11	Bolt	2	

Hydraulic pump Bracket and Gear

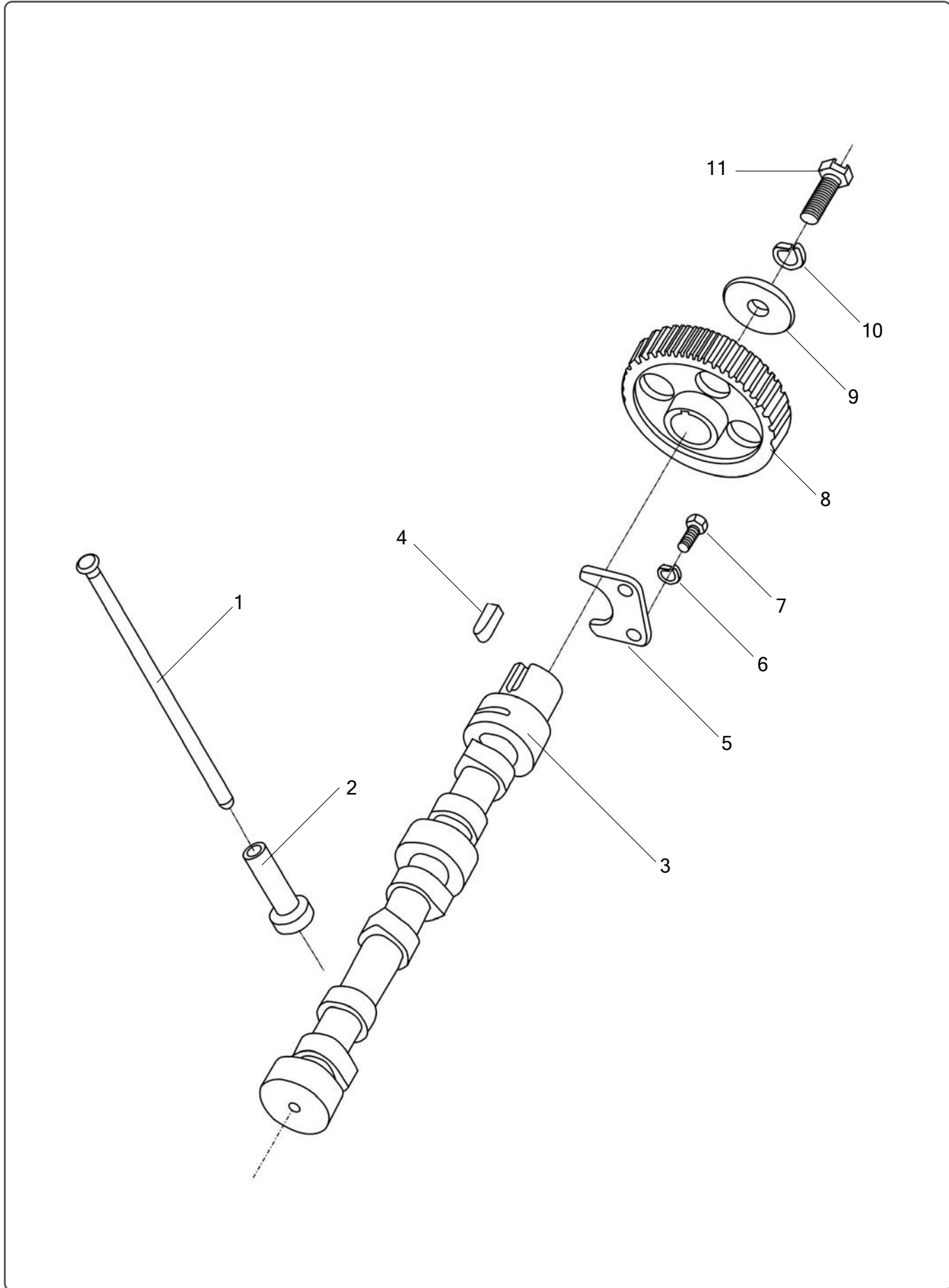


Hydraulic pump Bracket and Gear

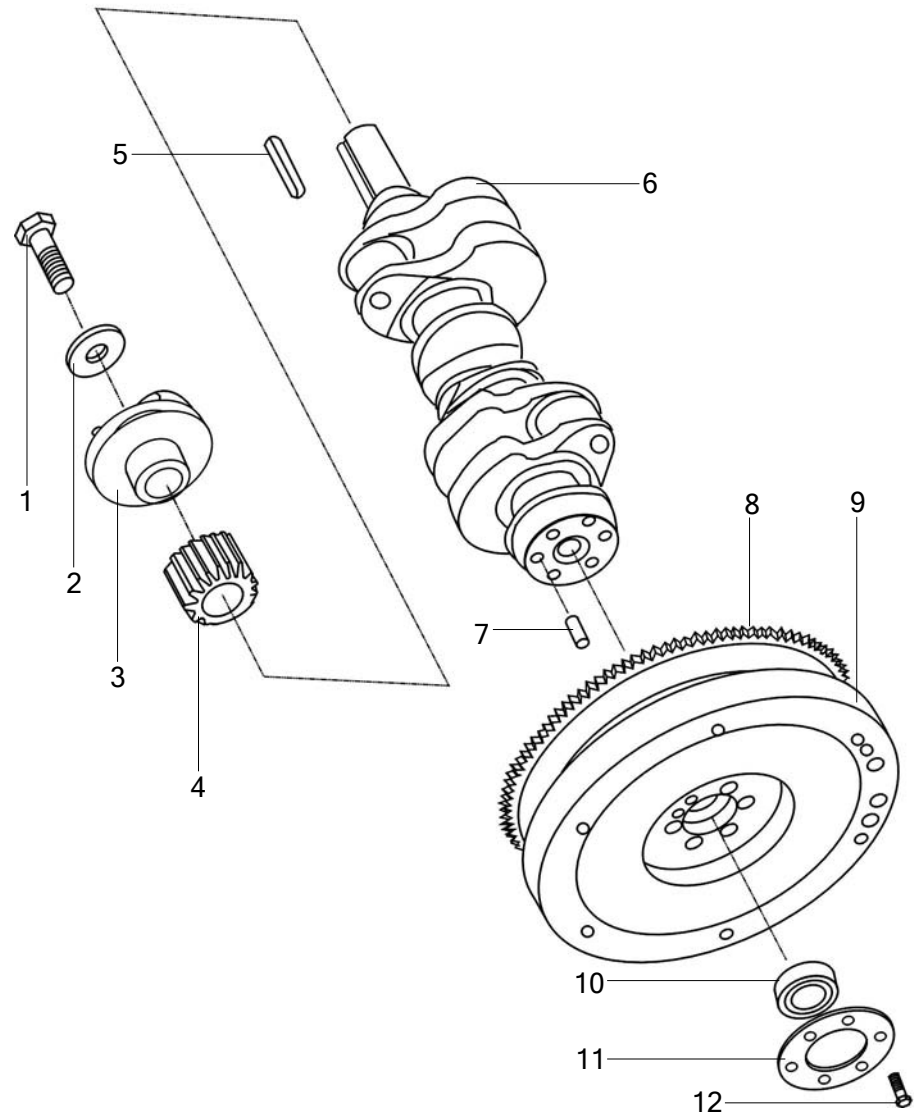
MUSA Part Number	Ref.	Description of Part	Unit Quantity	Remarks/ Service Bulletin No.
			ES25 4WD	
1026001DAA	*	Hydraulic pump assembly	1	
G27689106	1	Bearing	2	
1026011DAA	2	Hydraulic pump Gear	1	
1026013DAA	3	Gasket	2	
1026012DAA	4	Bearing seat	1	
1026014DAA	5	Gasket	1	
G93878	6	Washer	6	
G7085M825	7	Screw	2	
G578286M845	8	Bolt	2	
G578286M835	9	Bolt	2	

Camshaft, Tappet and Push Rod

Camshaft, Tappet and Push Rod

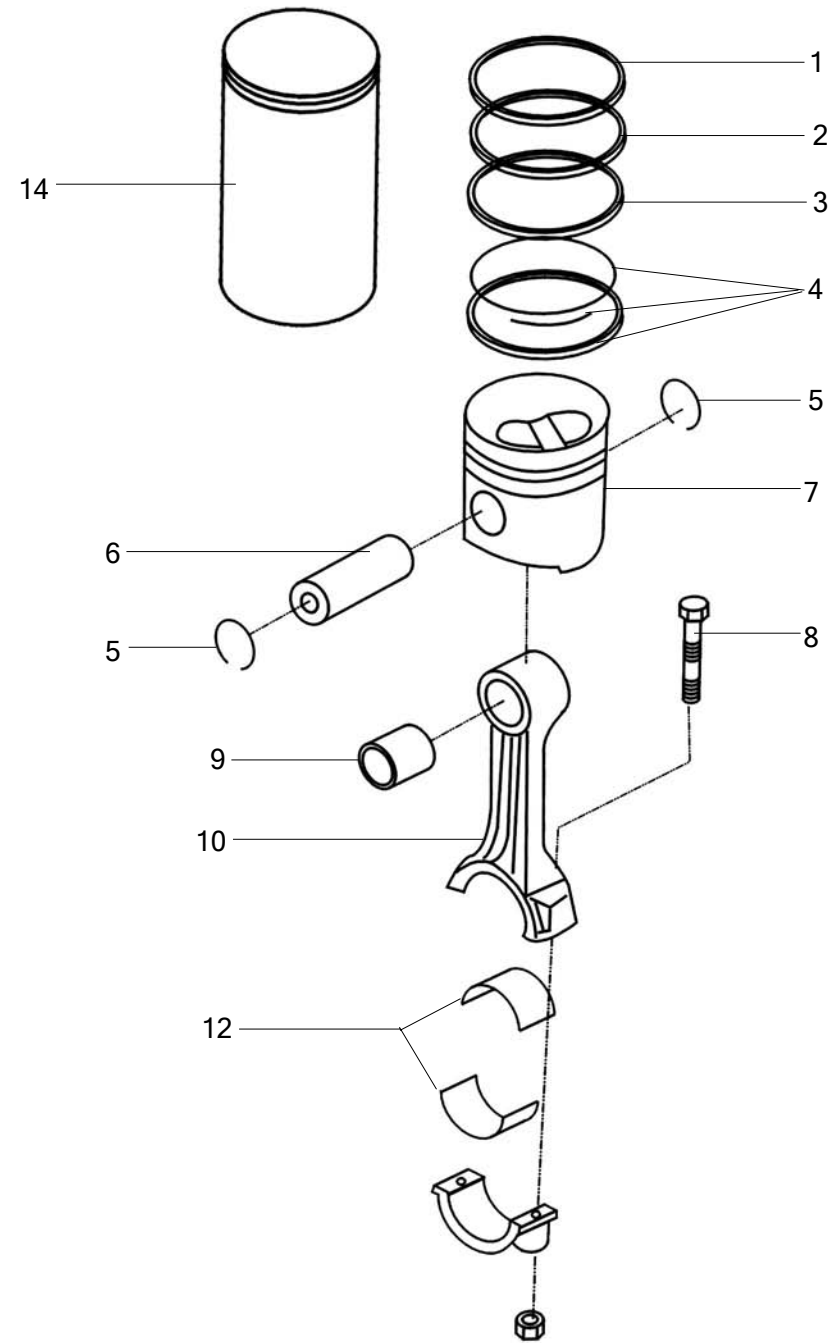


MUSA Part Number	Ref.	Description of Part	Unit Quantity	Remarks/ Service Bulletin No.
			ES25 4WD	
1007050DAA	1	Push Rod	6	
1007011DAA	2	Tappet	6	
1006011DAA02	3	Camshaft	1	
G109679C825	4	Key	1	
1006013DAA	5	Camshaft Stopper	1	
G93878	6	Washer	2	
G578386M816	7	Bolt	2	
1006012DAA	8	Camshaft Gear	1	
1006014DAA	9	Camshaft Gear Washer	1	
G938712	10	Washer	1	
1006015DAA	11	Camshaft Gear Screw	1	



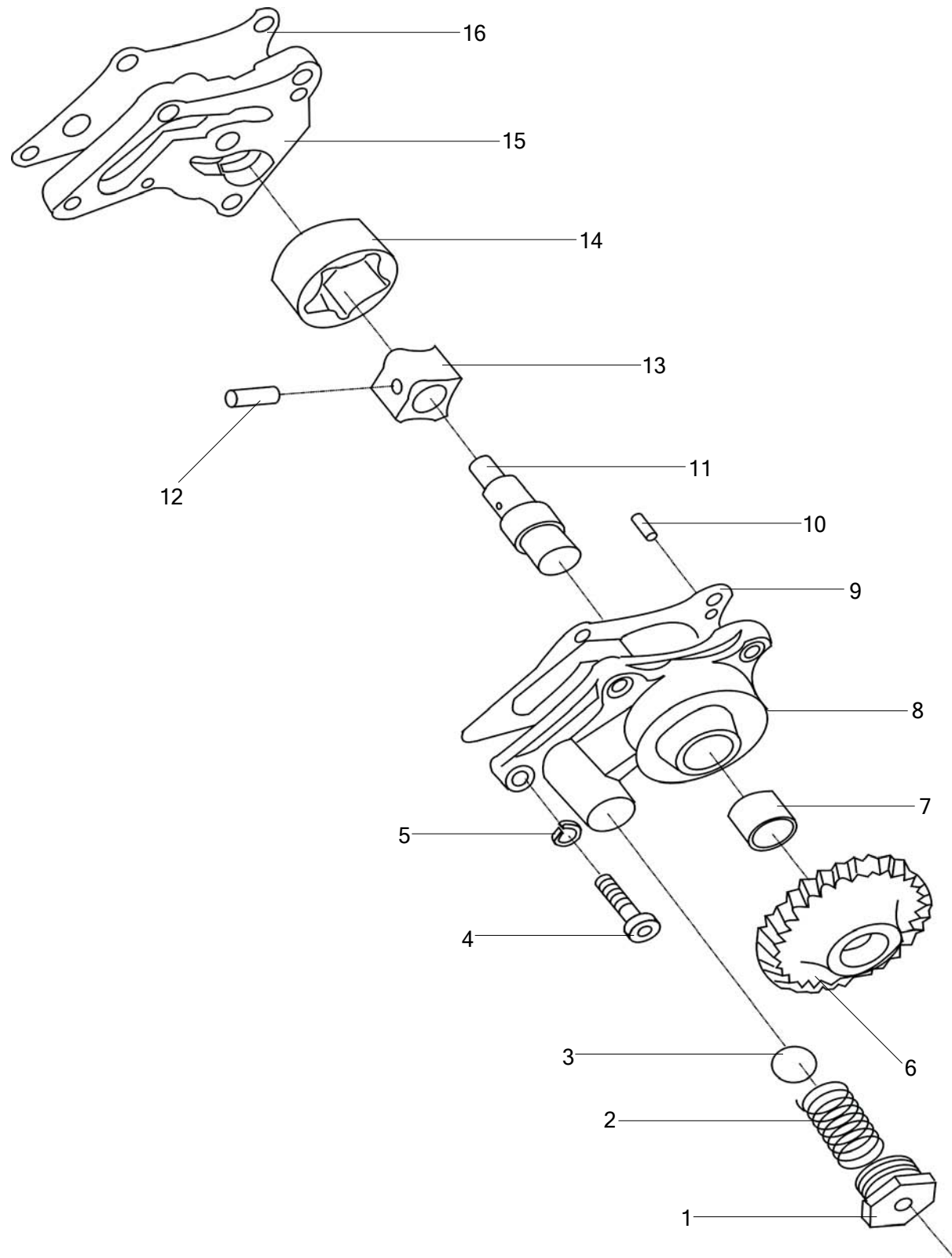
MUSA Part Number	Ref.	Description of Part	Unit Quantity	Remarks/ Service Bulletin No.
			ES25 4WD	
1005017DAA	1	Crankshaft Pulley Bolt	1	
1005018DAA	2	Crankshaft Pulley Washer	1	
1005013DAA	3	Crankshaft Pulley	1	
1005012DAA	4	Crankshaft Timing Gear	1	
G109679C1065	5	Key	3	
1005011DAA	6	Crankshaft	1	
G11986A1025	7	Pin	1	
1005062DAA	8	Ring Gear	1	
1005061DAH	9	Flywheel	1	
G2788960203	10	Ball Bearing	1	
1005015DAA	11	Retainer	1	
1005014DAA	12	Flywheel Bolt	1	

Piston Connecting Rod and Cylinder Liner

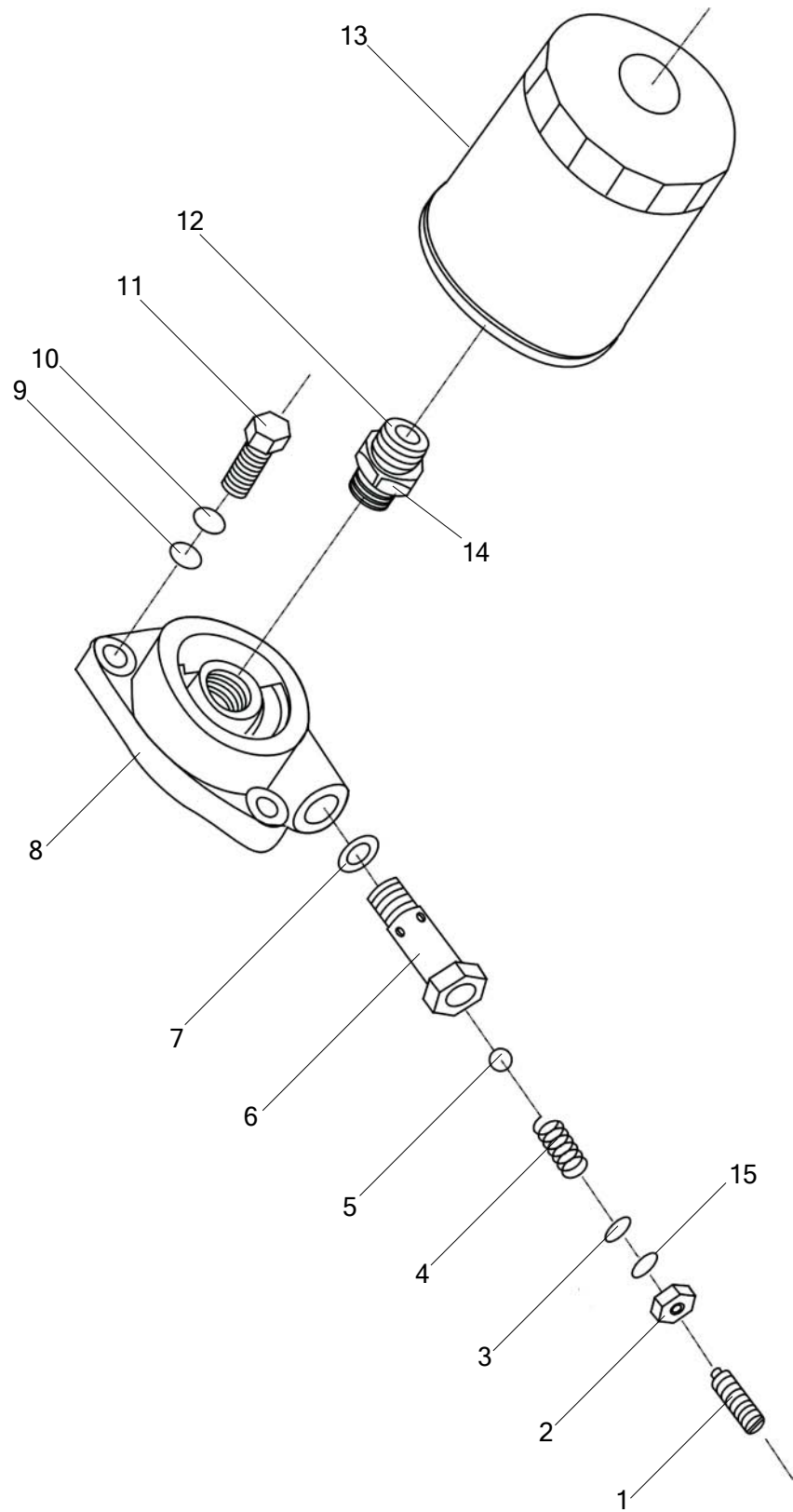


Piston Connecting Rod and Cylinder Liner

MUSA Part Number	Ref.	Description of Part	Unit Quantity	Remarks/ Service Bulletin No.
			ES25 4WD	
1004014CAA	1	Top Ring	6	
1004015CAA	2	Second Ring	3	
1004016CAA	3	Third Ring	3	
1004050CAA	4	Ring, Oil	3	
G89318728	5	Circlip	6	
1004011CAA	6	Piston Pin	3	
1004061DAB	7	Piston	3	
1004104DAA	8	Connecting Rod Bolt	6	
1004100DAA	*	Connecting Rod Assy Consists of:	3	
1004102DAA	9	→ Small End Bushing	3	
1004101DAA	10	→ Connecting Rod	3	
1004103DAA	11	→ Connecting Rod Cap	3	
1004018DAA	12	Connection Rod Bearing	6	
1004105DAA	13	Connecting Rod Nut	6	
1002102DAA	14	Cylinder Liner	3	

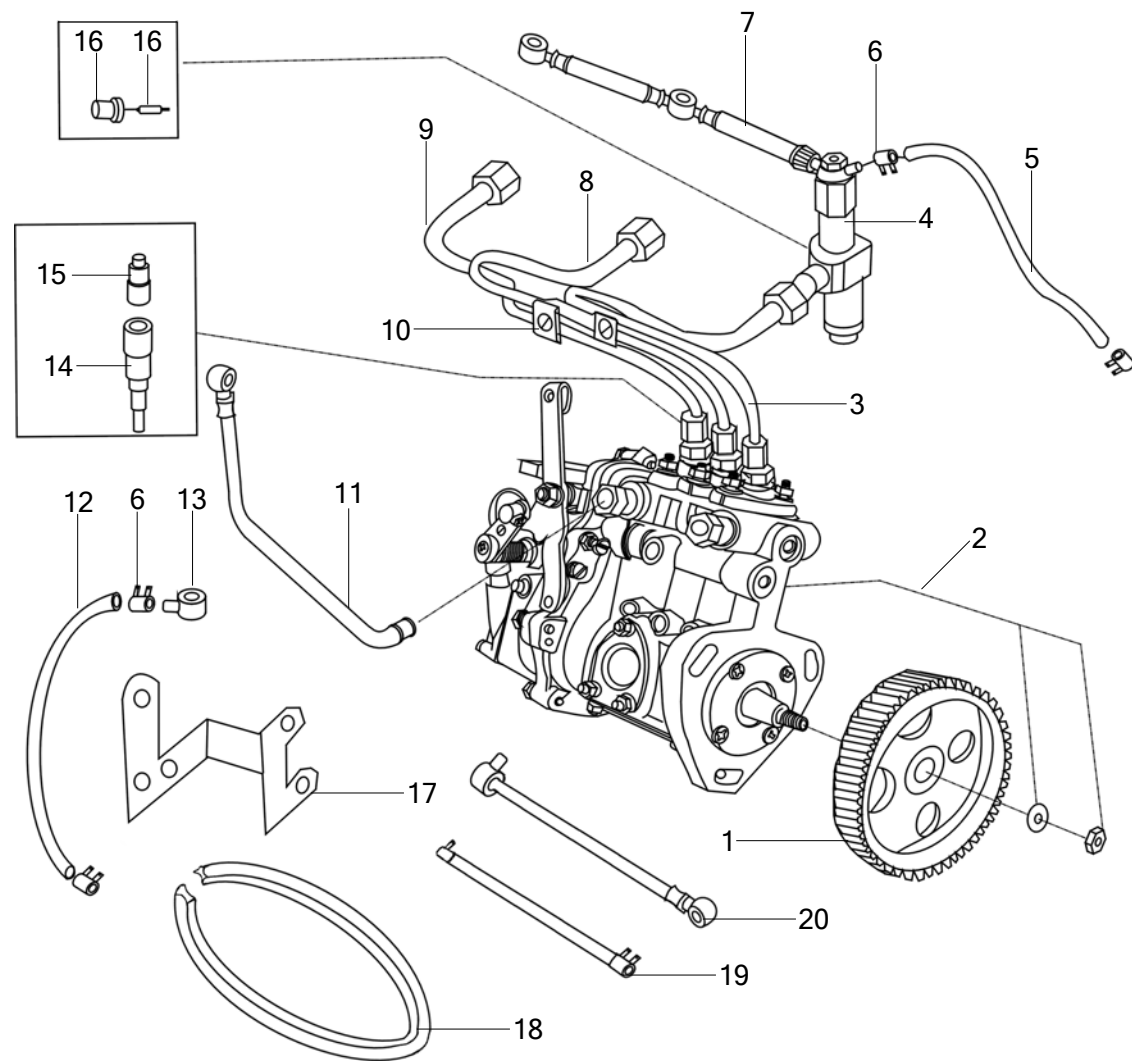


MUSA Part Number	Ref.	Description of Part	Unit Quantity	Remarks/ Service Bulletin No.
			ES25 4WD	
1011011DAA		Oil Pump Assy	1	
1011107DAA	1	Relief valve	1	
1011106DAA	2	Spring	1	
G3088410	3	Ball	1	
1011111DAA	4	Screw	4	
G93876	5	Washer	4	
1011104DAA	6	Oil Pump Gear	1	
1011162DAA	7	Bush	1	
1011161DAA	8	Oil Pump Body	1	
1011109DAA	9	Gasket	1~3	
G11986A412	10	Pin	2	
1011151DAA	11	Oil Pump Shaft	1	
G11986A520	12	Pin	1	
1011152DAA	13	Inner Rotor	1	
1011108DAA	14	Outer Rotor	1	
1011102DAA	15	Oil Pump Cover	1	
1011011DAA	16	Gasket	1	



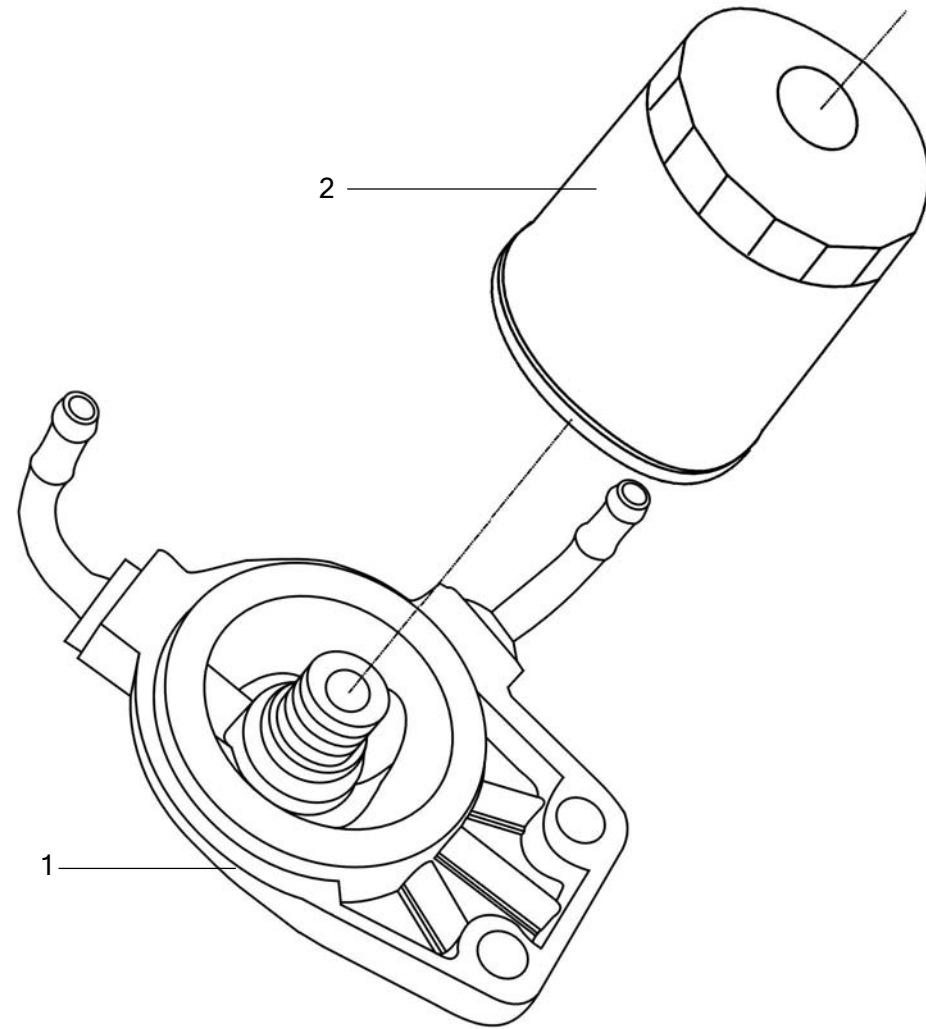
MUSA Part Number	Ref.	Description of Part	Unit Quantity	Remarks/ Service Bulletin No.
			ES25 4WD	
1012171DAB	1	Bolt	1	
G617386M1415	2	Nut	1	
1012109CAA	3	O-Ring - 12x1.6	1	
1012173DAB	4	Spring	1	
G3088410	5	Steel ball	1	
1012172DAB	6	Relief Valve Seat	1	
1012175DAA	7	O-Ring	1	
1012151DAB	8	Oil filter block	1	
G93878	9	Washer	3	
G93858	10	Washer	3	
G578286M830	11	Bolt	3	
1012152DAB	12	Union	1	
1012160DAB	13	Filter elements	1	
G617386M2015	14	Nut	1	
1012174DAA	15	Washer	1	

Fuel Injection Pump, Injector & Fuel System



Fuel Injection Pump, Injector & Fuel System

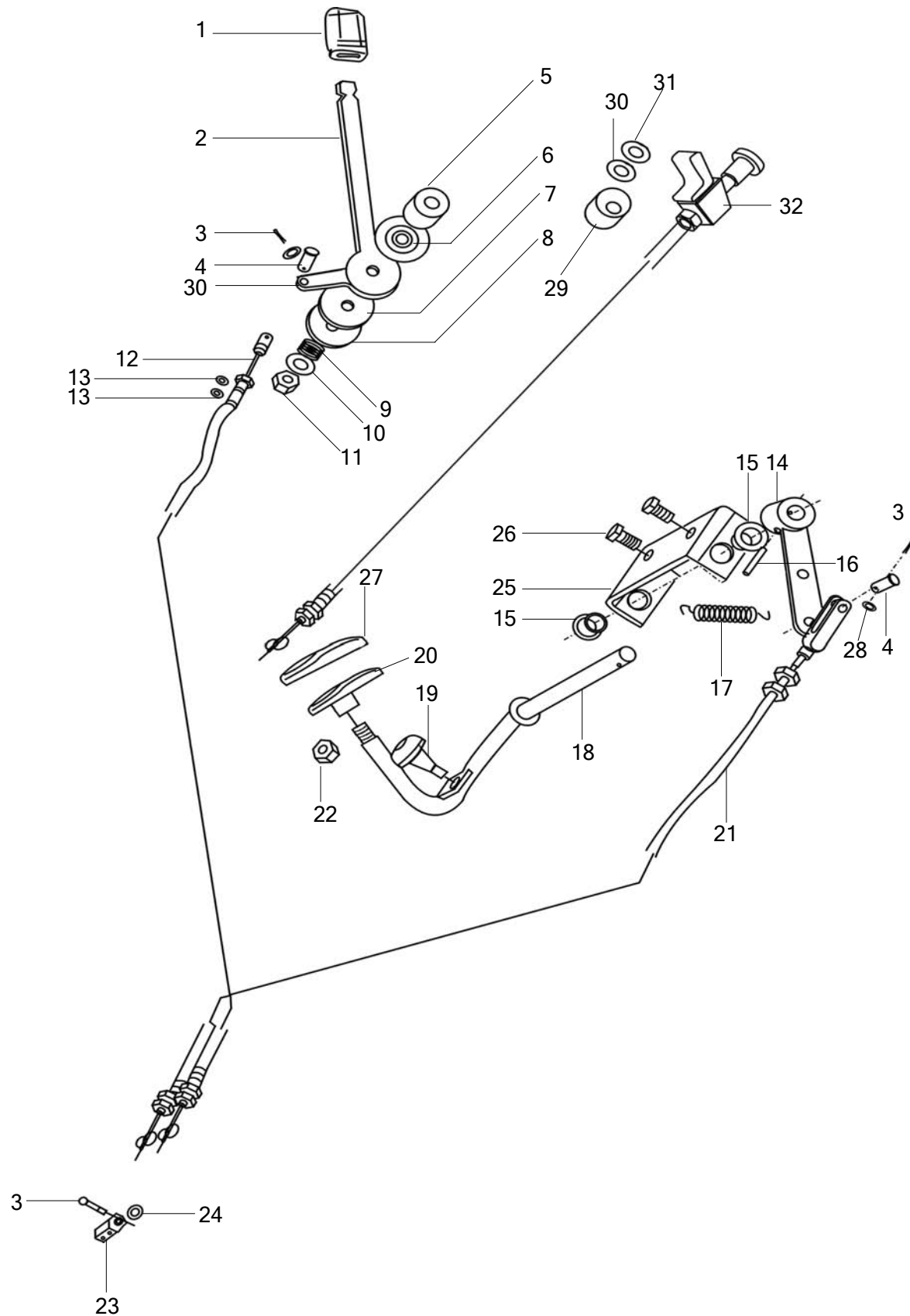
MUSA Part Number	Ref.	Description of Part	Unit Quantity	Remarks/ Service Bulletin No.
			ES25 4WD	
1111011DAA	1	Injection Timing Gear	1	
1111100DAG	2	Model BQ Injection Pump	1	
1129200DAA	3	Injection Pipe (Cylinder 1)	1	
1112001CAH	4	Injector Assy	3	
1104094DAG	5	Fuel pipe	1	
Q673B115	6	Clip ϕ 11.5	6	
1104090DAG	7	Fuel Overflow Pipe	1	
1129300DAA	8	Injection Pipe (Cylinder 2)	1	
1129400DAA	9	Injection Pipe (Cylinder 3)	1	
1129100CAH	10	Pipe Clip	2	
1104070DAH01	11	Fuel Pipe Assy	2	
1104052DAH01	12	Fuel pipe	1	
J6015	13	Pipe Union	1	
‡	14	Plunger Element	3	
‡	15	Delivery Valve Element	3	
1112050CAH	16	Nozzle Element	3	
‡	17	Bracket	1	
Q674073007300	18	Plastic strap	1	
1104050DAH01	19	Transport Pipe Assy	1	
1104060DAH01	20	Transport Pipe	1	



MUSA Part Number	Ref.	Description of Part	Unit Quantity	Remarks/ Service Bulletin No.
			ES25 4WD	
1117001DAH	*	Fuel Filter Consisting of:	1	
1117050DAH	1	▶ Fuel Filter Bracket	1	
1117100DAH	2	▶ Fuel Filter Assy	1	

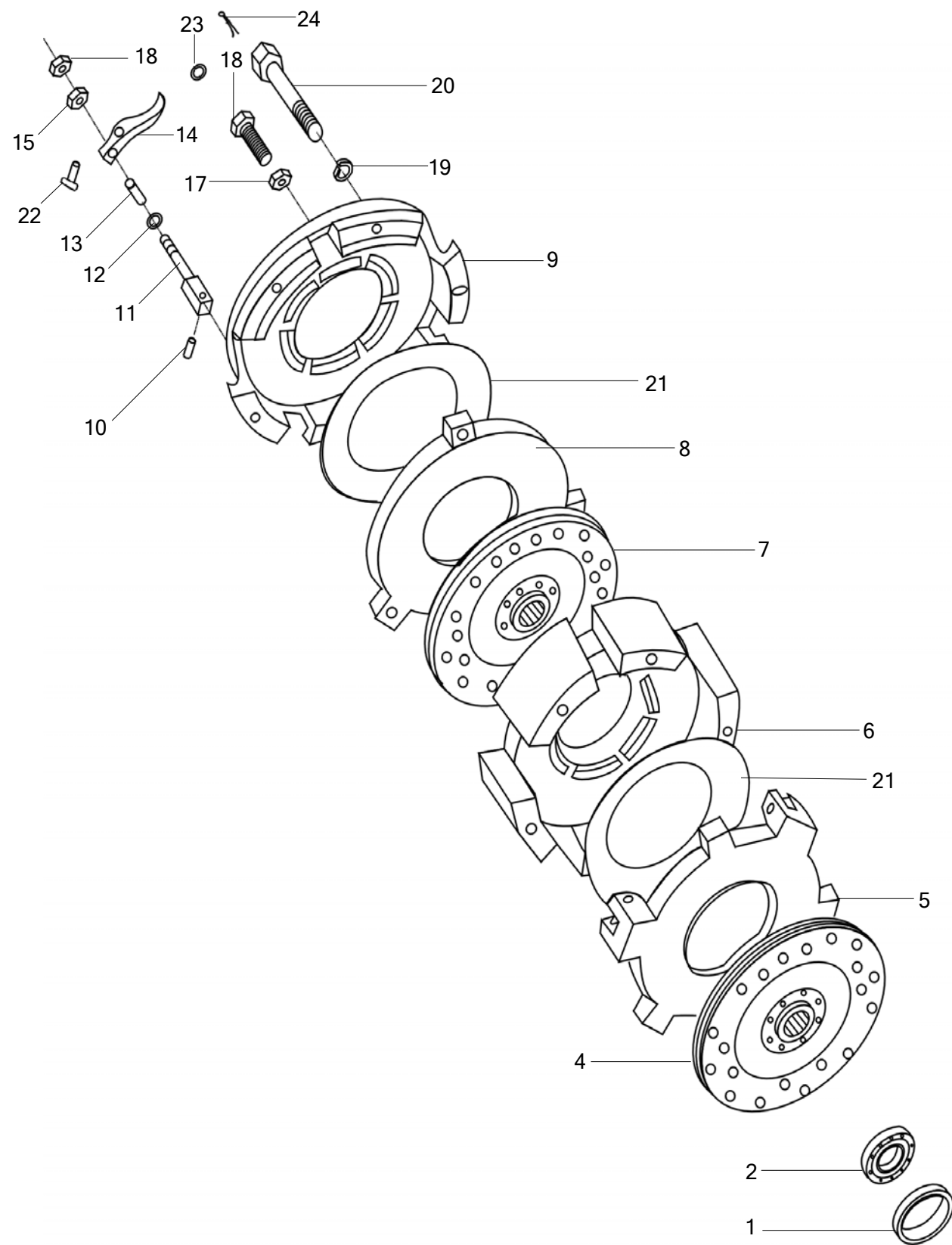
Throttle Controls & Linkages

Throttle Controls & Linkages



MUSA Part Number	Ref.	Description of Part	Unit Quantity	Remarks/ Service Bulletin No.
			ES25 4WD	
9200323BBA	1	Handle	1	
9201322BBA	2	Lever	2	
G9186220	3	Pin	3	
G882518	4	Pin	2	
9200326BBA	5	Washer	1	
9200324BBA	6	Washer	1	
9200321BBA	7	Disc	1	
G52878512	8	Washer	1	
9200325BBA	9	Spring	1	
G978512	10	Washer	1	
G618586M12	11	Nut	1	
9200031BBA	12	Cable	1	
G97858	13	Washer	2	
9200024BBA	14	Arm	1	
9200202BBA	15	Bush	2	
G87986425	16	Pin	2	
9200103BBB01	17	Spring	1	
9200022BBA01	18	Bracket	1	
9200201BBA	19	Bush	1	
9200023BBA01	20	Pedal	1	
9200021BBA	21	Cable	1	
G4186M12	22	Nut	1	
9200101BBS	23	Shaft	1	
G848856A	24	Washer	1	
9472107BBA	25	Foot throttle Support	1	
G578386M816	26	Bolt	2	
9200101BBB	27	Pedal shield	1	
G978512	28	Bolt	2	
9200115BBS	29	Eccentricity wheel	1	
G938710	30	Washer	1	
G617000M10	31	Nut	1	
9200040BBS02	32	Flameout cable	1	

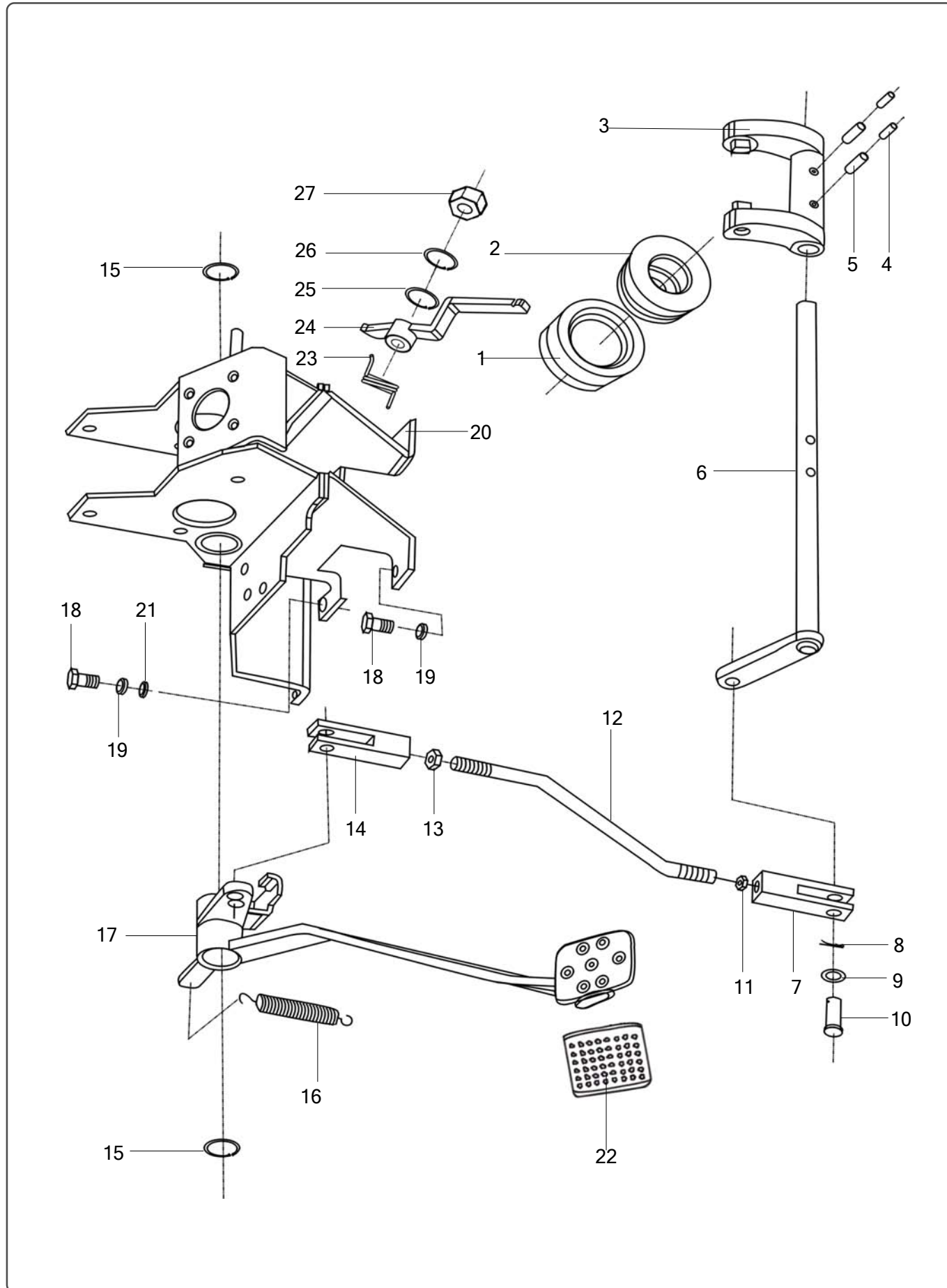
Clutch Cover and Pressure Plate



Clutch Cover and Pressure Plate

MUSA Part Number	Ref.	Description of Part	Unit Quantity	Remarks/ Service Bulletin No.
			ES25 4WD	
9210106BAA	1	Spacer	1	
G2788960203	2	Bearing	1	
9210020BBS	3	Clutch Semi Assy Consists of:	1	
9210030BBS	4	→Plate	1	
9210202BBD	5	→Plate	1	
9210203BBD	6	→Seat	1	
9210022BBS	7	→Plate	1	
9210204BBD	8	→Plate	1	
9210205BBD	9	→Cover	1	
G11986D1045	10	→Pin	3	
9210209BBD	11	→Rod	3	
G978510	12	→Washer	3	
9210207BBD	13	→Spring	3	
9210021BBD	14	→Lever	3	
9210206BBD	15	→Nut	3	
G617086M10	16	→Nut	3	
G617086M8	17	→Nut	3	
9210208BBD	18	→Screw	3	
G938710	19	→Washer	6	
G578286M10110	20	→Bolt	6	
9210201BBD	21	→Spring	2	
G88286B104510	22	Pin	3	
G8488510	23	Washer	3	
G9186320	24	Pin	3	

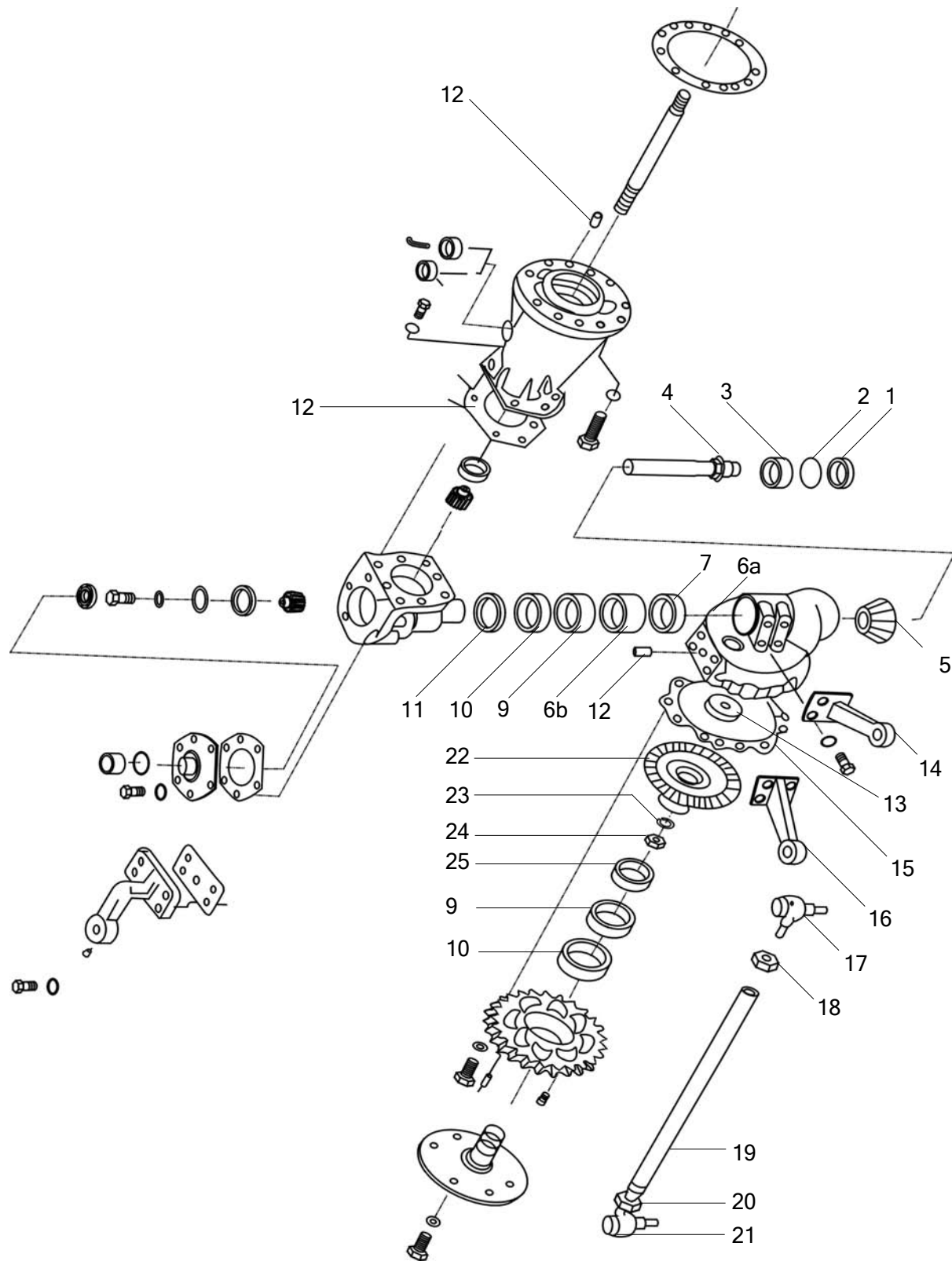
Clutch Pedal & Connections



Clutch Pedal & Connections

MUSA Part Number	Ref.	Description of Part	Unit Quantity	Remarks/ Service Bulletin No.
			ES25 4WD	
9210090BBB	1	Bearing	1	
9210109BBB	2	Seat	1	
9210701BBB	3	Fork	1	
G87986535	4	Pin	2	
G87986835	5	Pin	2	
9210050BBB01	6	Shaft	1	
9210107BBA01	7	Clevis (R)	1	
G91863224	8	Pin	2	
G978514	9	Washer	2	
G88286B1435	10	Pin	2	
G617086M14	11	Nut	1	
9210108BBA	12	Rod	1	
G617086M14L	13	Nut (L)	1	
9210106BBA01	14	Clevis (L)	1	
G8948630	15	Circlip	2	
9210107AAA	16	Spring	1	
9210060BBS01	17	Arm	1	
G578386M1020	18	Screw	4	
G938710	19	Washer	4	
9210040BBS02	20	Bracket	1	
G978510	21	Washer	2	
9210110BBB	22	Jacket pedal	1	
9430132BBS	23	Park spring	1	
9433070BBS	24	Hand brake lever CPTe	1	
G970216	25	Washer	1	
G970210	26	Washer	1	
G617000M10	27	Nut	1	

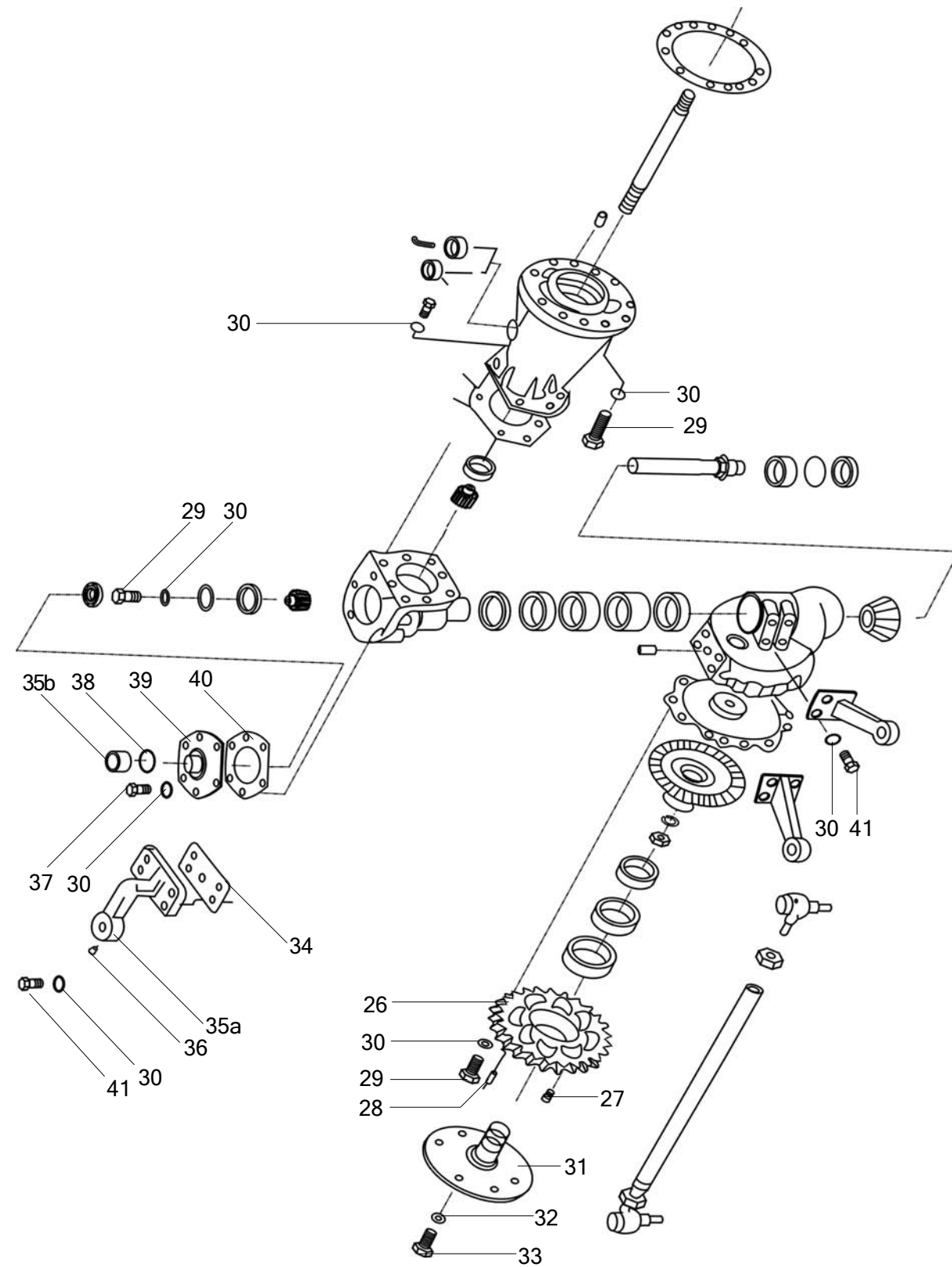
Front Axle and Wheel Hub



Front Axle and Wheel Hub

MUSA Part Number	Ref.	Description of Part	Unit Quantity	Remarks/ Service Bulletin No.
			ES25 4WD	
9311090ABA	1	Cover	2	
G8938662	2	Ring	2	
G27689305	3	Bearing	2	
9311106ABA	4	Shaft	2	
9311111ABA	5	Gear	2	
9311040ABA	6	House and sleeve consists of:	1	
9311401ABA	6a	→ House (L)	1	
9311402ABA	6b	→ Sleeve	1	
G301848106	7	Bearing	2	
9311050BBD	8	House and sleeve consists of:	1	
9311501BBD	8a	→ House (R)	1	
9311402ABA	8b	→ Sleeve	1	
G987788B507212F	9	Seal	4	
G987788FB50727F	10	Seal	4	
9311114ABA	11	Packing	2	
G11986A1624	12	Pin	2	
G27689206	13	Bearing	2	
9311118ABA	14	Arm (L)	1	
9311115ABA	15	Gasket	A.R	
9311119ABA	16	Arm (R)	1	
9310082AAA	17	Joint (R)	1	
G617386M615	18	Nut	1	
9311080BBD	19	Rod	1	
G617386M1615L	20	Nut	1	
9310081AAA	21	Joint (L)	1	
9311105ABA	22	Gear	2	
G8588839	23	Circlip	2	
G81288M3915	24	Nut	2	
G27689208	25	Bearing	2	

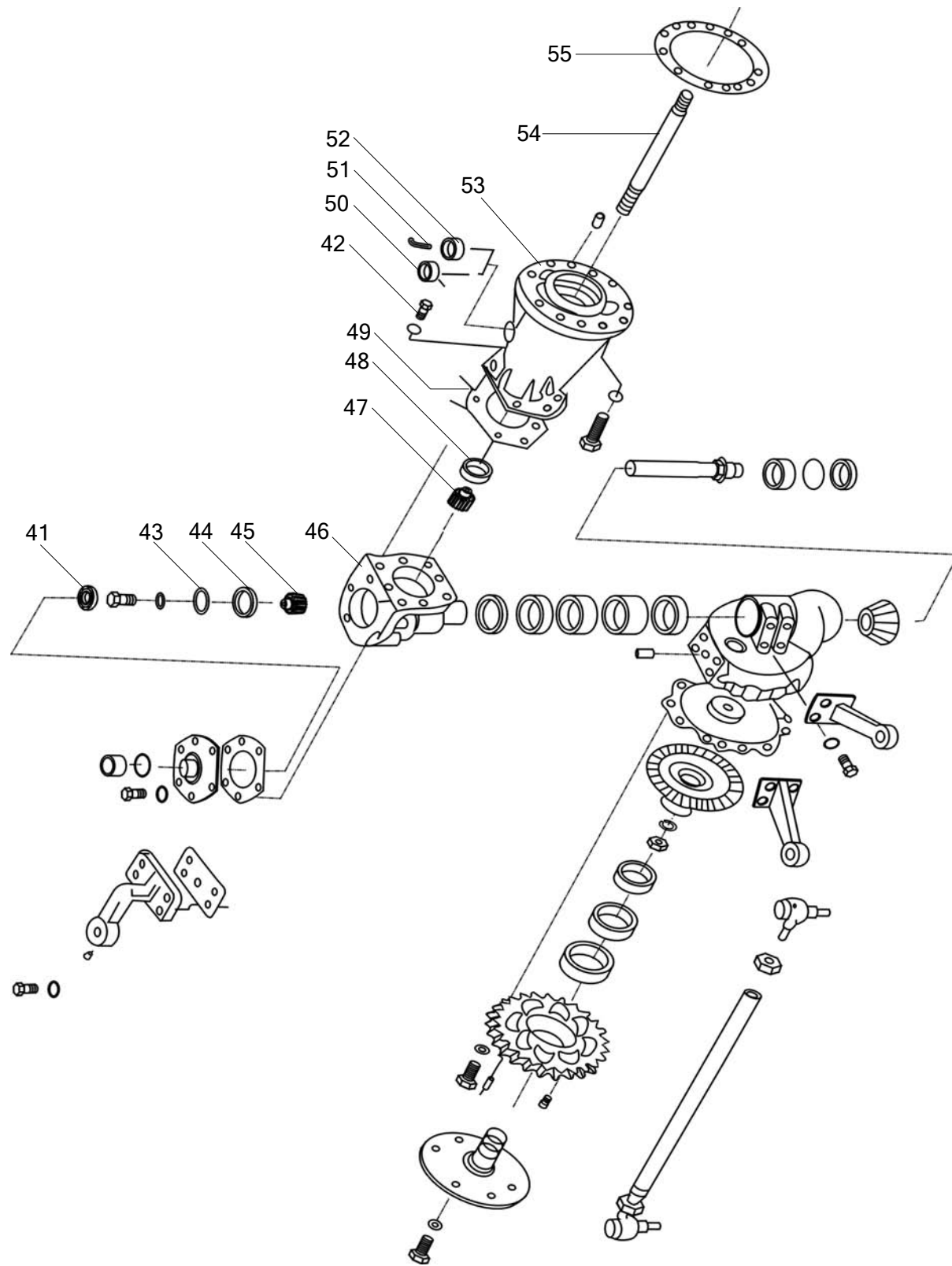
Front Axle and Wheel Hub



Front Axle and Wheel Hub

MUSA Part Number	Ref.	Description of Part	Unit Quantity	Remarks/ Service Bulletin No.
			ES25 4WD	
9311104ABA	26	Cover	2	
ZBT32001Z12	27	Plug	2	
G11986D820	28	Pin	4	
G578386M1028109	29	Bolt	42	
G938710	30	Washer	84	
9311135BBD	31	Shaft	2	
G938714	32	Washer	10	
G578386M1430	33	Screw	10	
9311131ABA	34	Gasket	A.R	
9311070ABA	35	Arm Assy Consists of:	2	
9311601ABA	35a	→ Arm	2	
9311701ABA	35b	→ Bush	2	
G115279M101	36	Nipple	2	
G578386M1025	37	Screw	12	
G1235764135	38	Seal	2	
9311110ABA	39	Cover	2	
9311116ABA	40	Gasket	2	
G2176M1028109	41	Bolt	16	

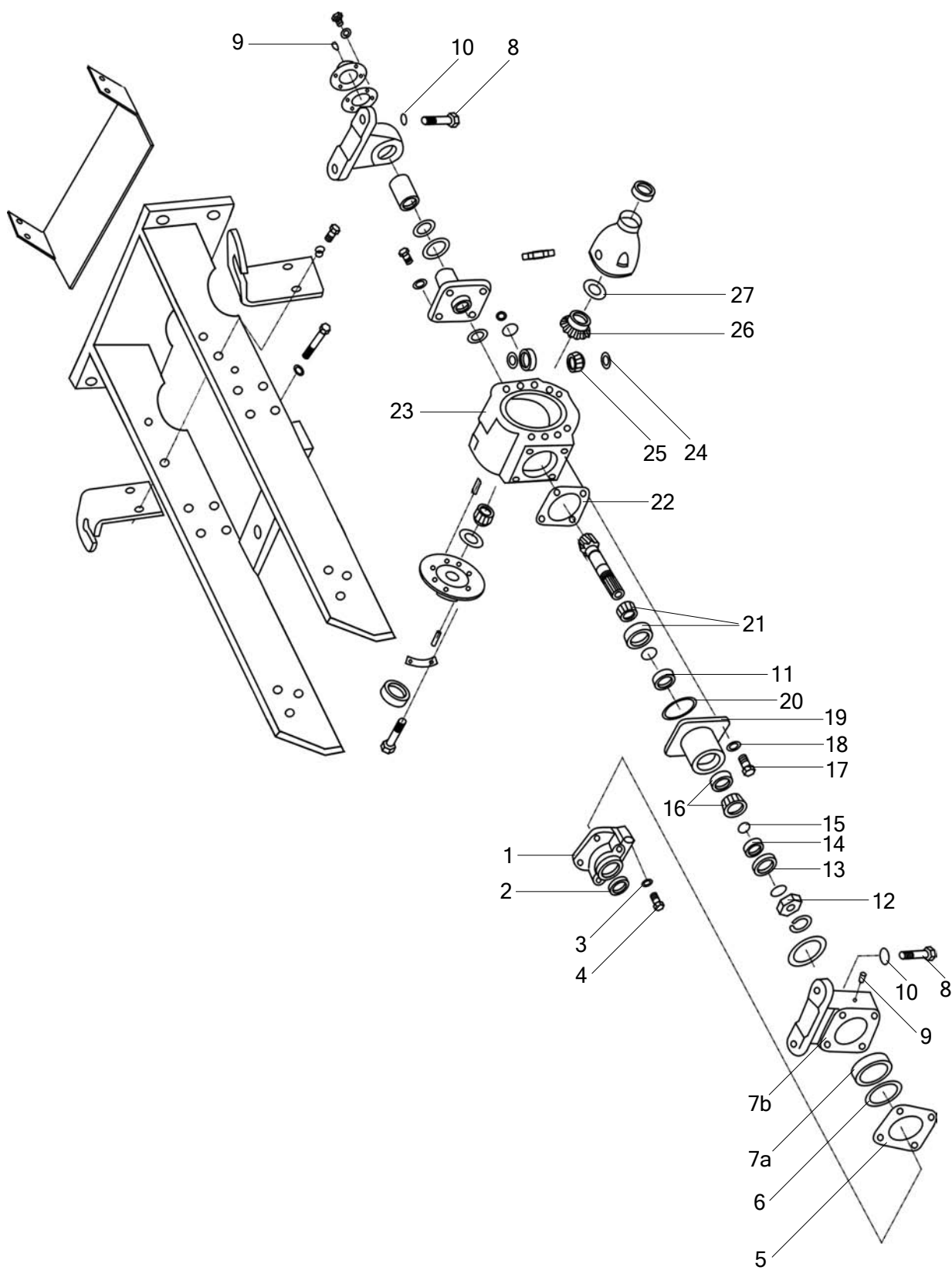
Front Axle and Wheel Hub



Front Axle and Wheel Hub

MUSA Part Number	Ref.	Description of Part	Unit Quantity	Remarks/ Service Bulletin No.
			ES25 4WD	
G27689110	41	Bearing	2	
G578386M1030	42	Screw	12	
9311117ABA	43	Ring	2	
9311132ABA	44	Gasket	A.R	
9311107ABA	45	Gear	2	
9311103ABA	46	Tube	2	
9311108ABA	47	Gear	2	
G27689207	48	Bearing	2	
9311123ABA	49	Washer	2	
9312050ABA	50	Dipstick	1	
9311120ABA	51	Tube	1	
9311130ABA	52	Plug	1	
9311102BBD	53	Housing	2	
9311109BBD	54	Shaft	2	
9311122ABA	55	Gasket	2	

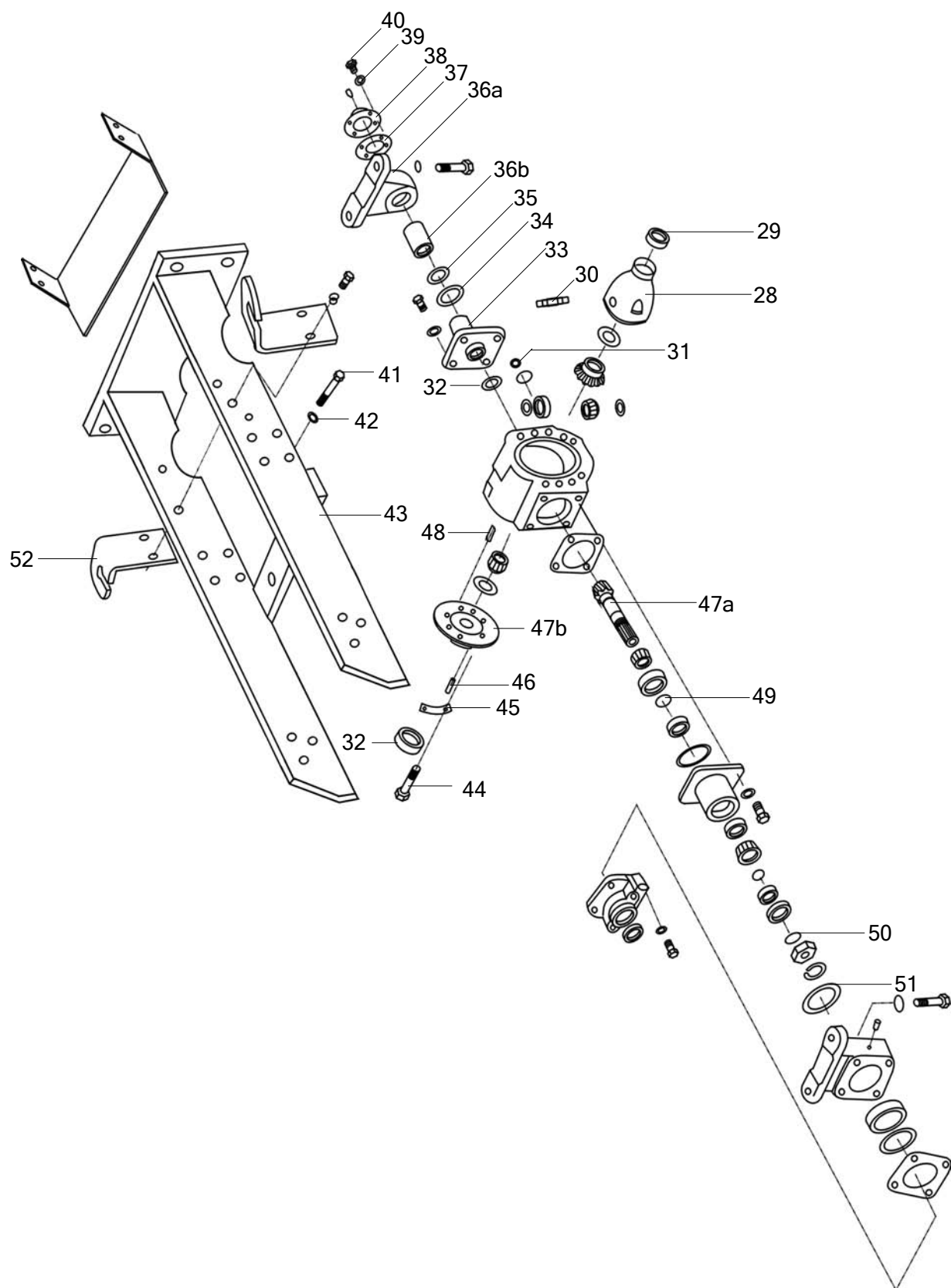
Front Differential and Bracket



Front Differential and Bracket

MUSA Part Number	Ref.	Description of Part	Unit Quantity	Remarks/ Service Bulletin No.
			ES25 4WD	
9311129BBD	1	Cover	1	
G1235764035	2	Seal	2	
G93878	3	Washer	4	
G578386M830	4	Screw	4	
9311128ABA	5	Gasket	1	
G1235767531	6	Seal	1	
9312040BBD	7	Bracket and Bush Consists of:	1	
9312402ABA	7a	→ Bush	1	
9312401BBD	7b	→ Bracket	1	
G578286M1655	8	Screw	6	
G115279M101	9	Nipple	2	
G938716	10	Washer	4	
9311305ABA	11	Spacer	1	
G81088M2715	12	Nut	1	
G987788FB355612F	13	Seal	1	
9311303ABA	14	Seat	1	
G3452822120355F	15	Seal	1	
G297842007106E	16	Bearing	1	
G217688M1228	17	Screw	6	
G938712	18	Washer	24	
9311301ABA01	19	Retainer	1	
G1235768531	20	Seal	1	
G2978427306E	21	Bearing	1	
9311121ABA	22	Shims	A.R	
9311101ABA01	23	House	1	
9311203ABA	24	Washer	2	
9311204ABA	25	Gear	2	
9311208ABA	26	Gear	2	
9311202ABA	27	Washer	2	

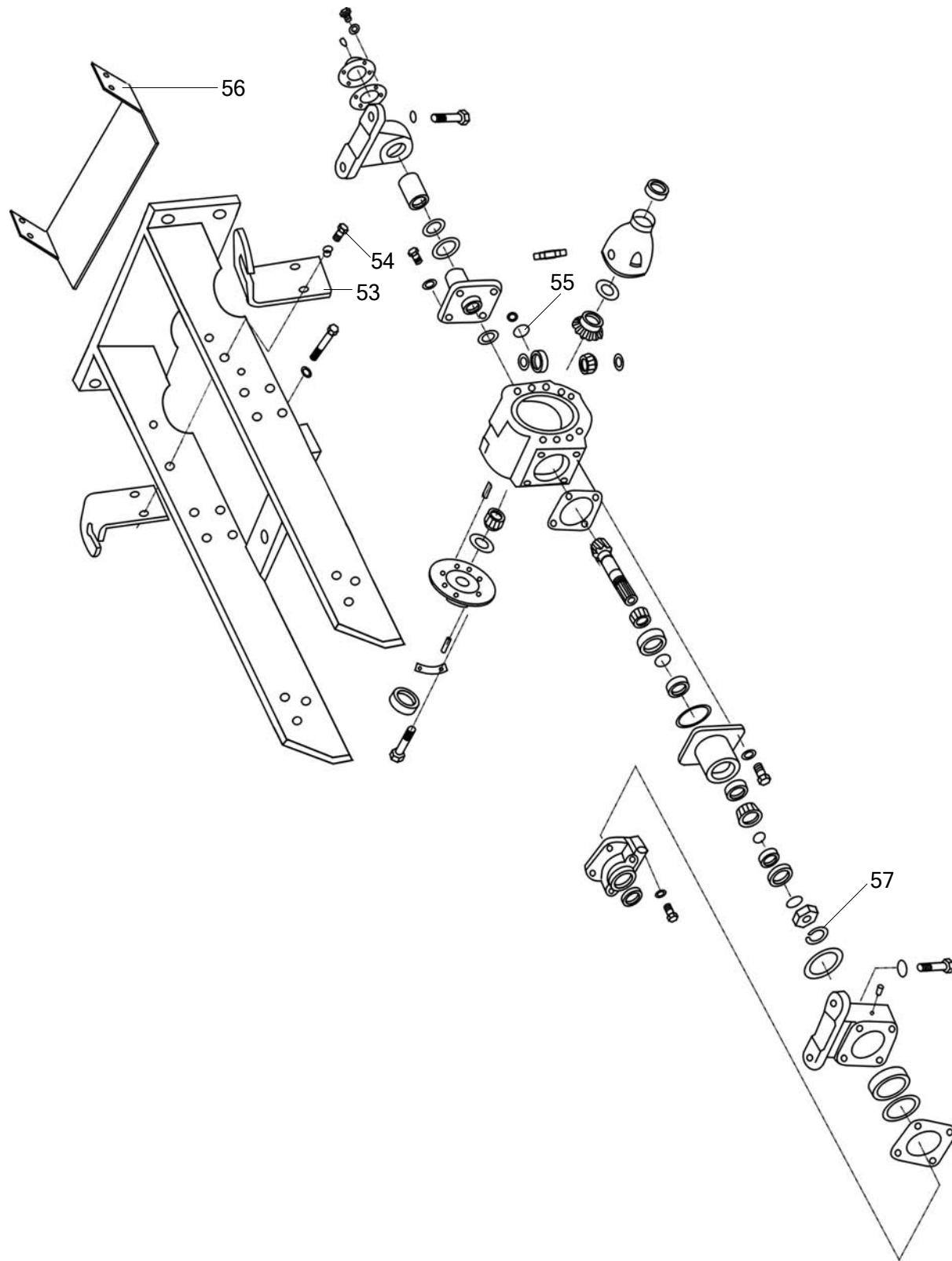
Front Differential and Bracket



Front Differential and Bracket

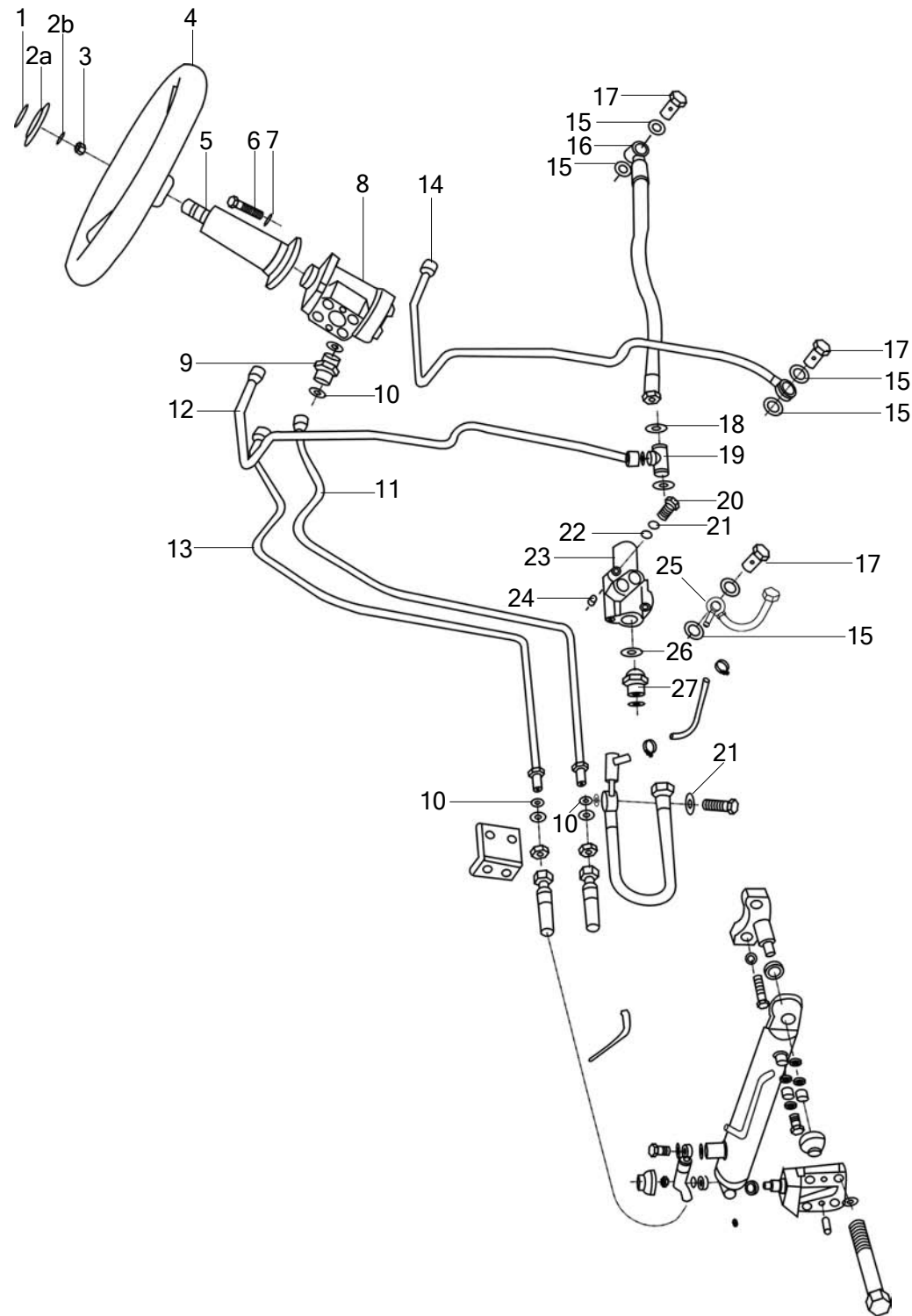
MUSA Part Number	Ref.	Description of Part	Unit Quantity	Remarks/ Service Bulletin No.
			ES25 4WD	
9311201ABA	28	House	1	
G297842007109E	29	Bearing	2	
9311205ABA	30	Shaft	1	
9550103AAA	31	Plug	1	
G1235763531	32	Seal	1	
9311125ABA	33	Shaft	1	
9311126ABA	34	Shims	A.R	
G1235767031	35	Seal	1	
9312020BBD	36	Bracket Consists of:	1	
9312201BBD	36a	↳Bracket	1	
9312202ABA	36b	↳Bush	1	
9311127ABA	37	Washer	1	
9312030ABA	38	Cover	1	
G93876	39	Washer	4	
G578386M612	40	Screw	4	
G578386M1240	41	Screw	11	
G938712	42	Washer	11	
9310090BBA	43	Bracket	1	
G578386M825109	44	Screw	4	
9311207ABA	45	Lock Washer	2	
G119868ga14	46	Pin	1	
†	47	Duble Gear Consists of:	1	
9311302ABA01	47a	↳ Gear	1	
9311206ABA	47b	↳ Gear	1	
G119868ga35	48	Pin	1	
9311306ABA	49	Shims	A.R	
9311307ABA	50	Shims	A.R	
G1235769031	51	Seal	1	
9310114BBA	52	Bracket (R)	1	

Front Differential and Bracket

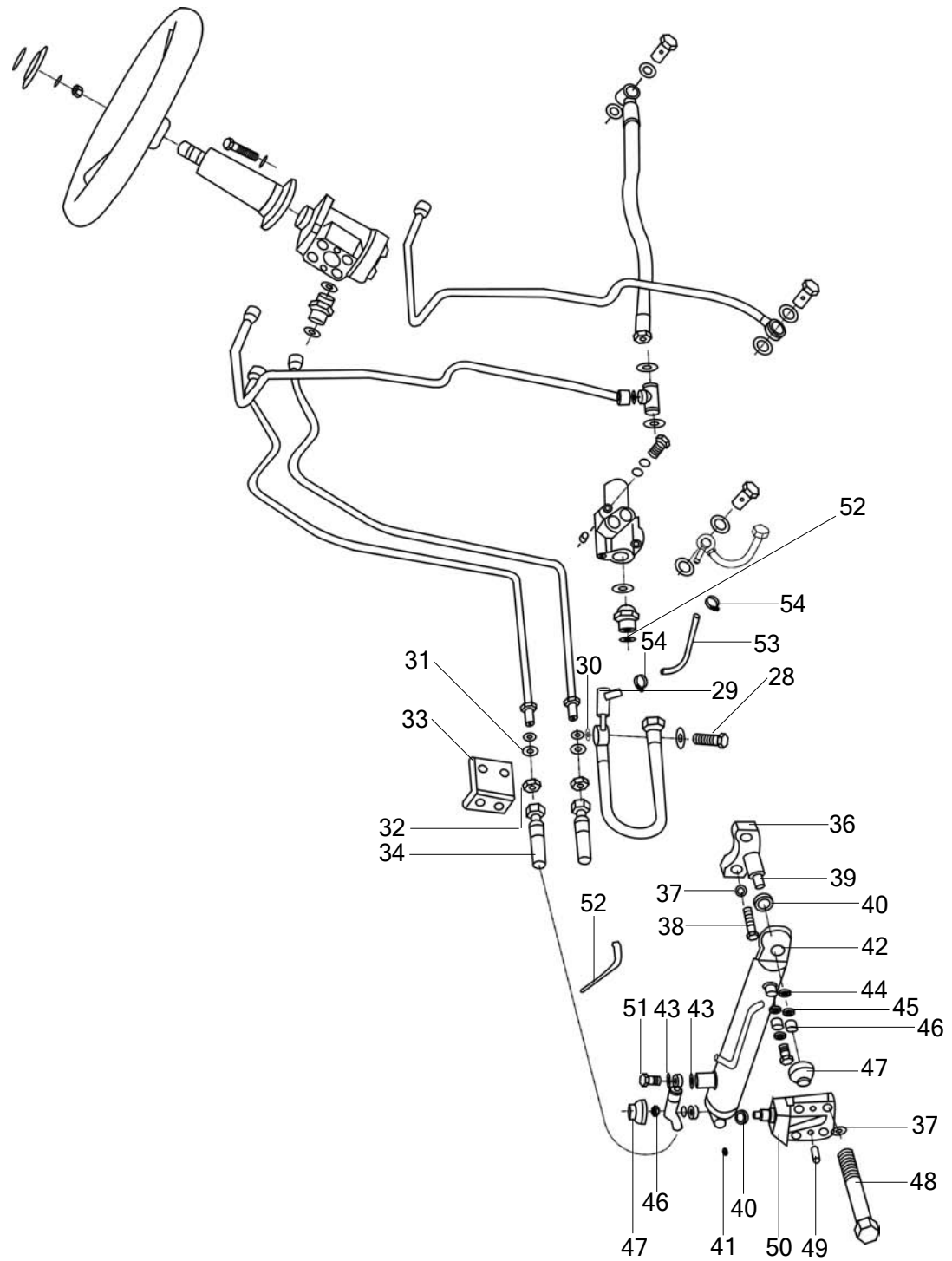


Front Differential and Bracket

MUSA Part Number	Ref.	Description of Part	Unit Quantity	Remarks/ Service Bulletin No.
			ES25 4WD	
9310117BBA	53	Bracket (L)	1	
G578386M835	54	Screw	4	
710011142	55	Washer	1	
9312601BBA	56	Plate	1	
G8588827	57	Washer	1	

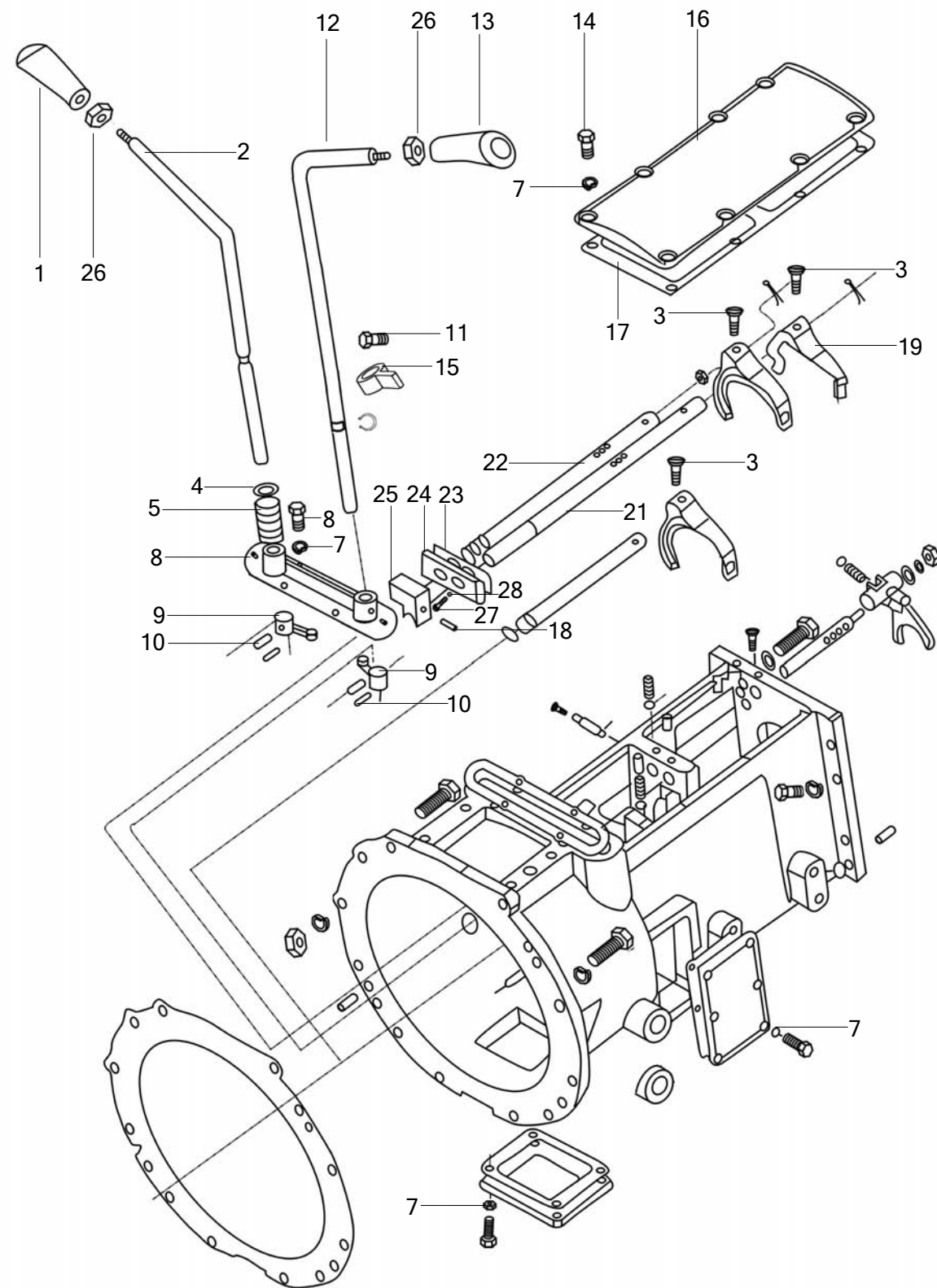


MUSA Part Number	Ref.	Description of Part	Unit Quantity	Remarks/ Service Bulletin No.
			ES25 4WD	
9400301AAA	1	Sticker	1	
9400302BBB	2	Cover Consists of:	1	
‡	2a	→ Cover	1	
‡	2b	→ Circlip	1	
G617386M1615	3	Nut	1	
9400030BBB01	4	Wheel	1	
9401050BBA	5	Column	1	
G578386M1020	6	Screw	4	
G938710	7	Washer	4	
BZZI80	8	Box	1	
9400103BBA	9	Connector	4	
G1235761419F	10	Seal	6	
9403030BBA02	11	Pipe	1	
9400070BBA01	12	Pipe	1	
9403020BBA02	13	Pipe	1	
9400060BBA01	14	Pipe	1	
J9827720	15	Washer	12	
9402040BBB	16	Hose	1	
9550307BBB	17	Bolt	3	
G1235761624F	18	Seal	3	
J9907714	19	Connector	1	
G578286M65	20	Screw	3	
G93878	21	Washer	6	
FLDD6	23	Valve	1	
9400108BBB	24	Pad	3	
9400080BBS01	25	Pin	1	
J9827724	26	Washer	1	
9402101BBS	27	Connector	1	



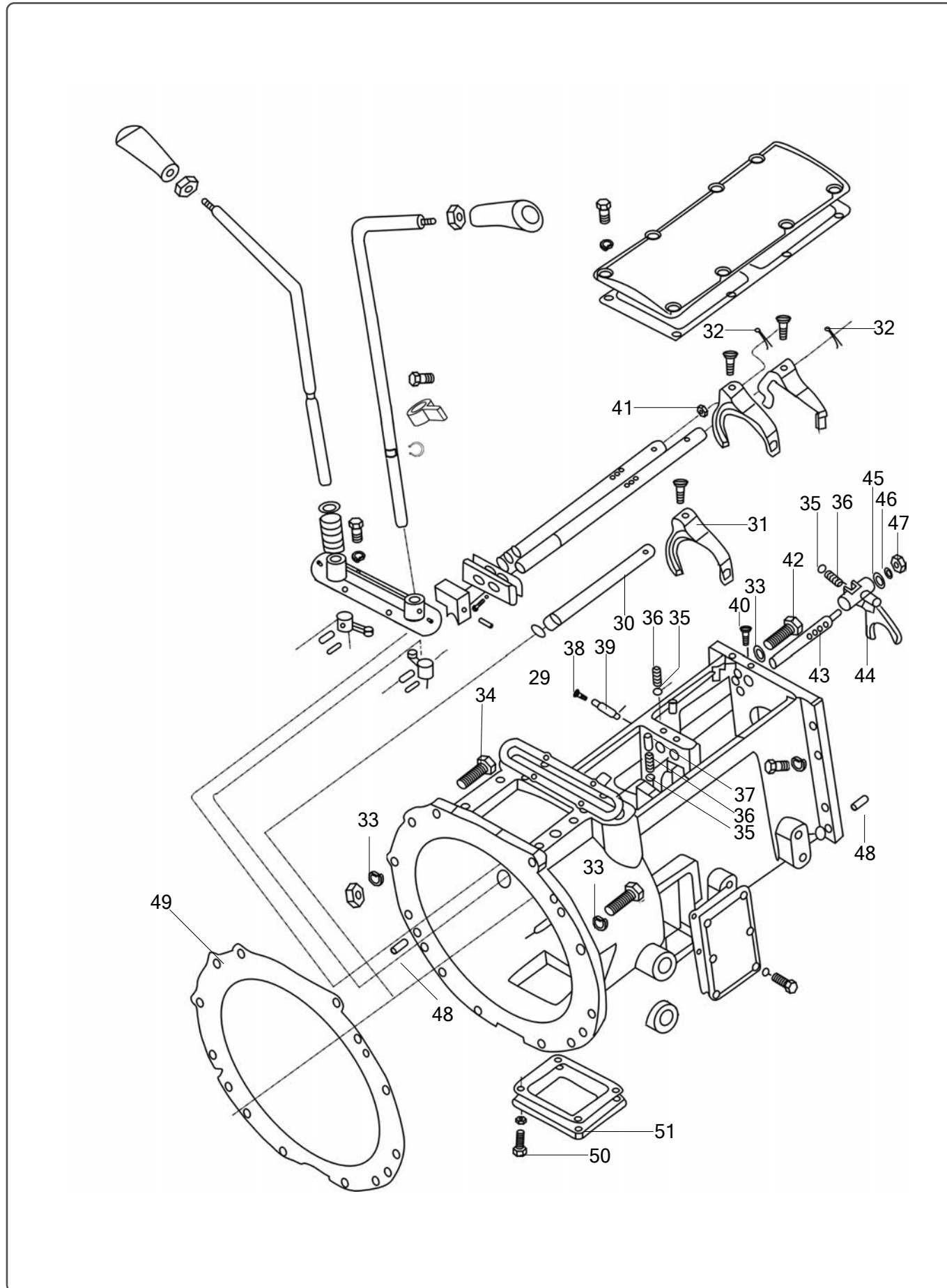
MUSA Part Number	Ref.	Description of Part	Unit Quantity	Remarks/ Service Bulletin No.
			ES25 4WD	
G578386M835	28	Screw	3	
9402050BBS	29	Hose I	1	
G1235772224F	30	Seal	1	
G938718	31	Washer	2	
G617286M1815	32	Nut	2	
9400109BBA	33	Support	1	
9402080BBB	34	Hose II	2	
9400105BBD	36	Support	1	
G938712	37	Washer	6	
9400106BBD	38	Screw	2	
G91863220	39	Pin	2	
9401112ABA	40	Packing	2	
G11538945M6	41	Nipple	2	
9401070BBS	42	Cylinder	1	
J10027714	43	Washer	4	
9401111ABA	44	Bush	2	
G8488512	45	Washer	2	
G945988M1215	46	Nut	2	
9310809AAA	47	Boot	2	
G578386M1235	48	Screw	4	
G11986A1030	49	Pin	2	
9400104BBD	50	Support	1	
J99977M141532	51	Bolt	2	
G1235762024F	52	O-ring	1	
9580102BAB	53	Pipe	1	
HG091427	54	Clip	2	

Front Housing, F-R Shifter and Speed Shifter Mechanism

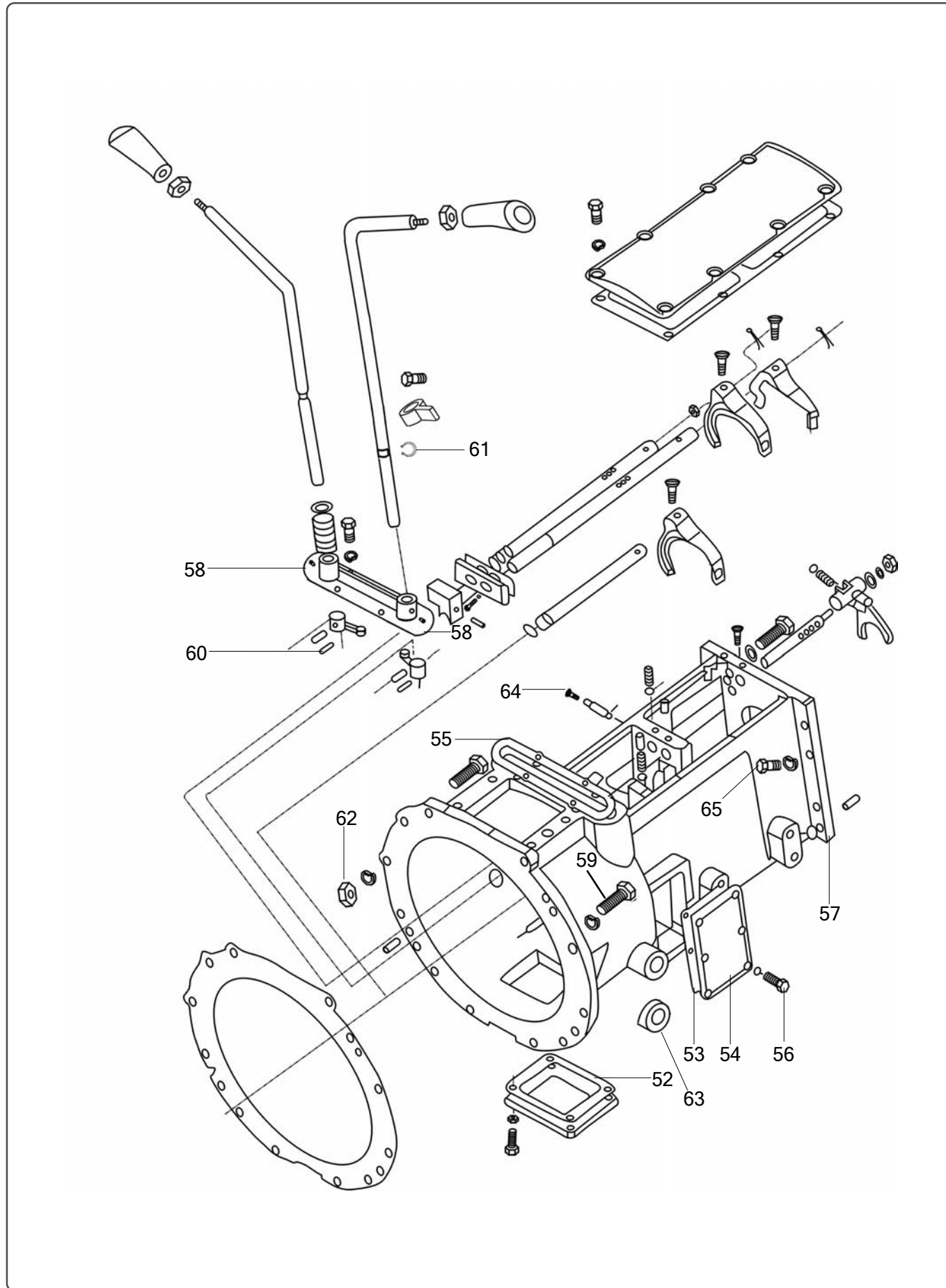


Front Housing, F-R Shifter and Speed Shifter Mechanism

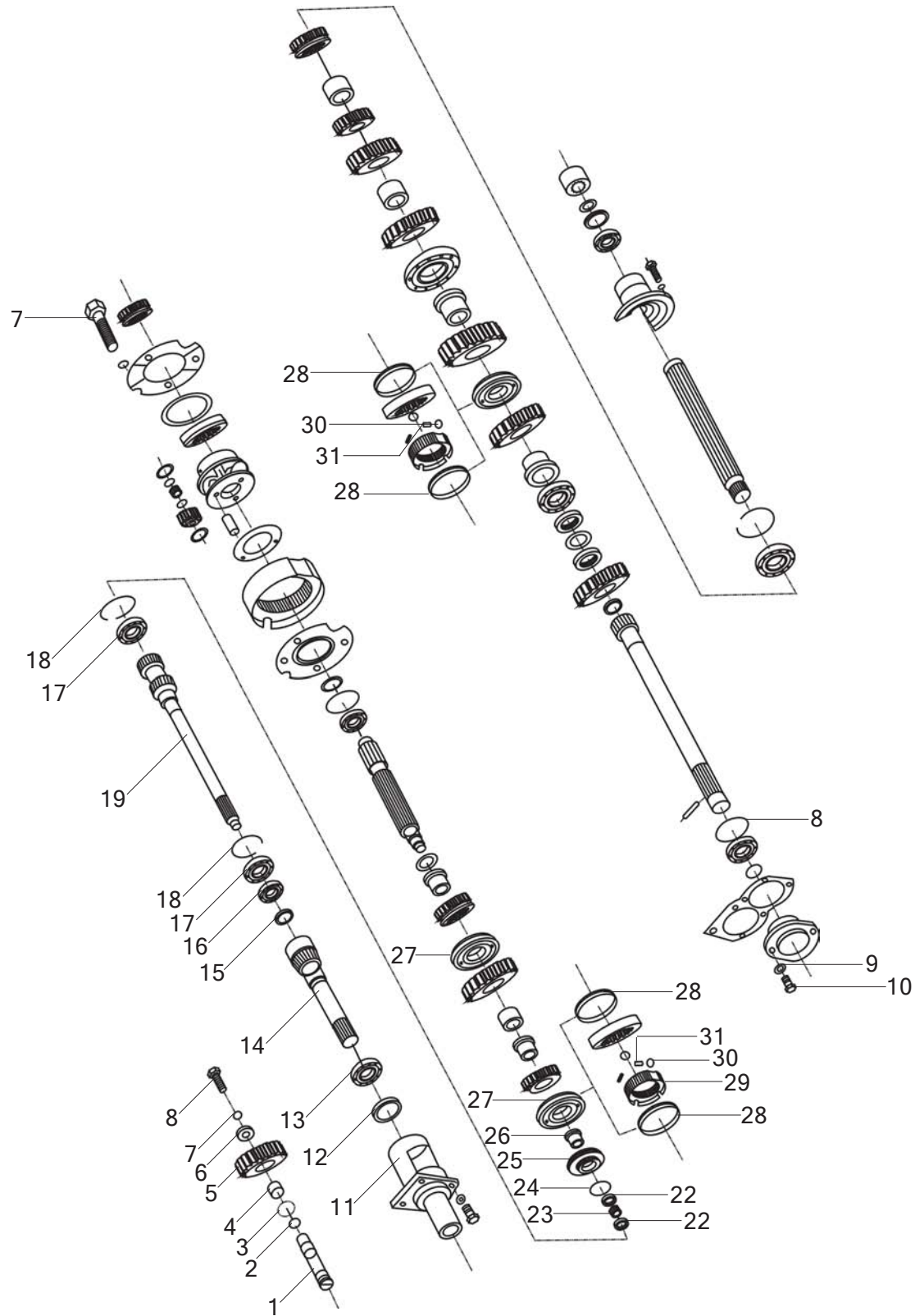
MUSA Part Number	Ref.	Description of Part	Unit Quantity	Remarks/ Service Bulletin No.
			ES25 4WD	
9370123BBB	1	Handle	1	
9370145BBB03	2	Lever	1	
9370151BBB	3	Bolt	3	
G958516	4	Washer	2	
9370142BBB	5	Spring	1	
G578386M820	6	Bolt	4	
G93878	7	Washer	22	
9371040BBB02	8	Cover	1	
9370131BBB	9	Shift pin	2	
G87986822	10	Pin	2	
9370151BBB	11	Screw	1	
9370146BBB04	12	Lever	1	
9370122BBB	13	Handle	1	
G578386M830	14	Bolt	8	
9370190BBS01	15	Sleeve	1	
9370132BBB	16	Cover	1	
9370141BBB	17	Gasket	1	
G87986628	18	Pin	1	
9370129BBB	19	Fork	1	
9370130BBB	20	Fork	1	
9370124BBB02	21	Rail	1	
9370141BBB	22	Rail	1	
9370140BBB	23	Gasket	1	
9370138BBB	24	Cover	1	
9370137BBB	25	Shift block	1	
G617086M14	26	Nut	2	
G578386M620	27	Bolt	2	
G93876	28	Washer	2	



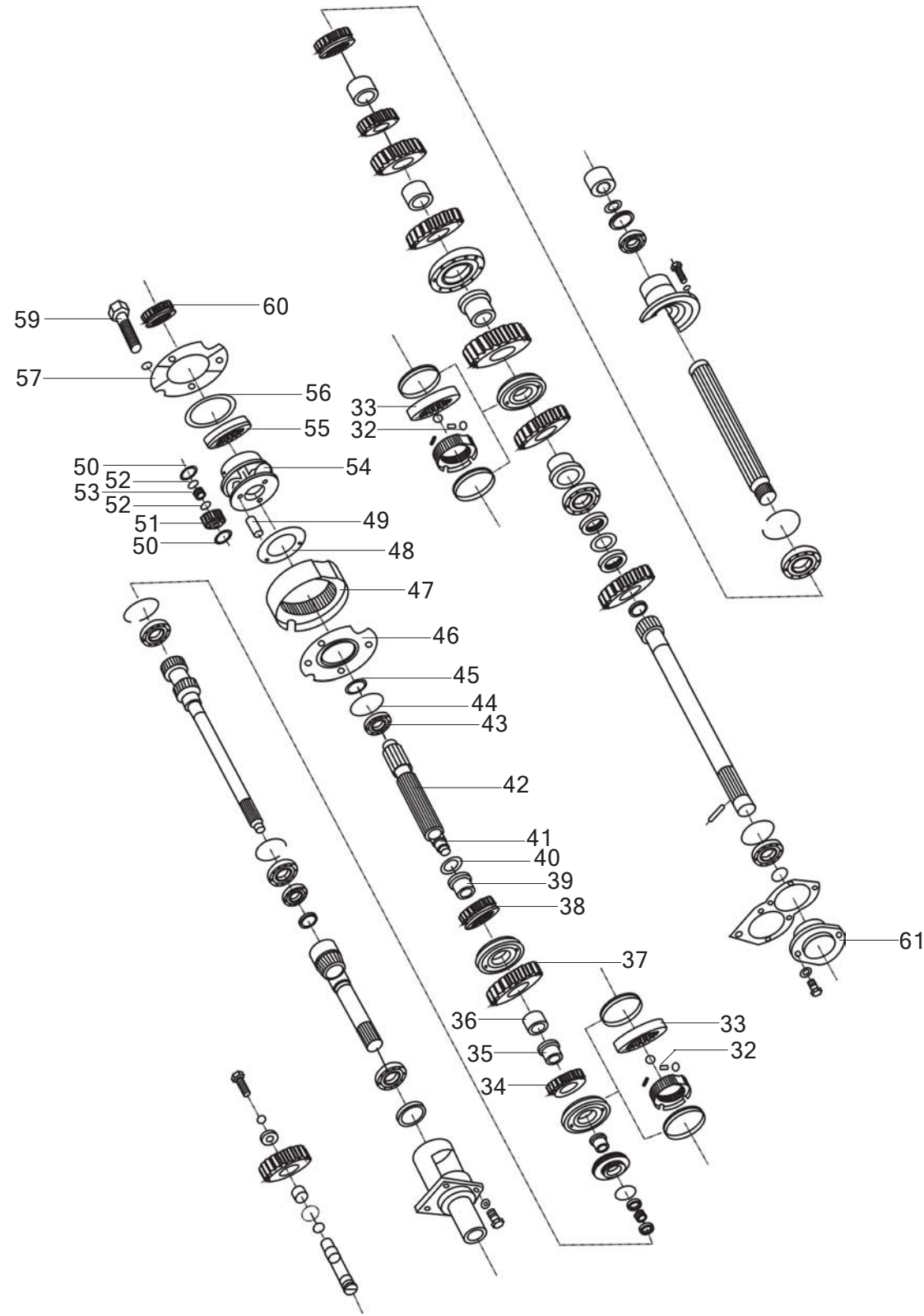
MUSA Part Number	Ref.	Description of Part	Unit Quantity	Remarks/ Service Bulletin No.
			ES25 4WD	
G1235762224	29	"O"-Ring	3	
9370133BBB03	30	Rail	1	
9370143BBB	31	Fork	1	
G9186430	32	Pin	2	
G938712	33	Washer	16	
G578386M1250	34	Bolt	2	
G3088938	35	Ball	4	
9370133AAA	36	Spring	4	
G1198610335	37	Pin	1	
Q37799M12	38	Plug	1	
9370149BBB	39	Pin	2	
G7585M830	40	Screw	1	
G617386M1815	41	Nut	6	
G578286M1245	42	Bolt	2	
9370135BBB	43	Rail	1	
9370134AAA	44	Fork	1	
G978510	45	Washer	1	
G938710	46	Washer	1	
G617086M10	47	Nut	1	
G11986A830	48	Pin	4	
9370150BBB	49	Gasket	1	
G578386M812	50	Bolt	4	
9210107BAA	51	Cover	1	



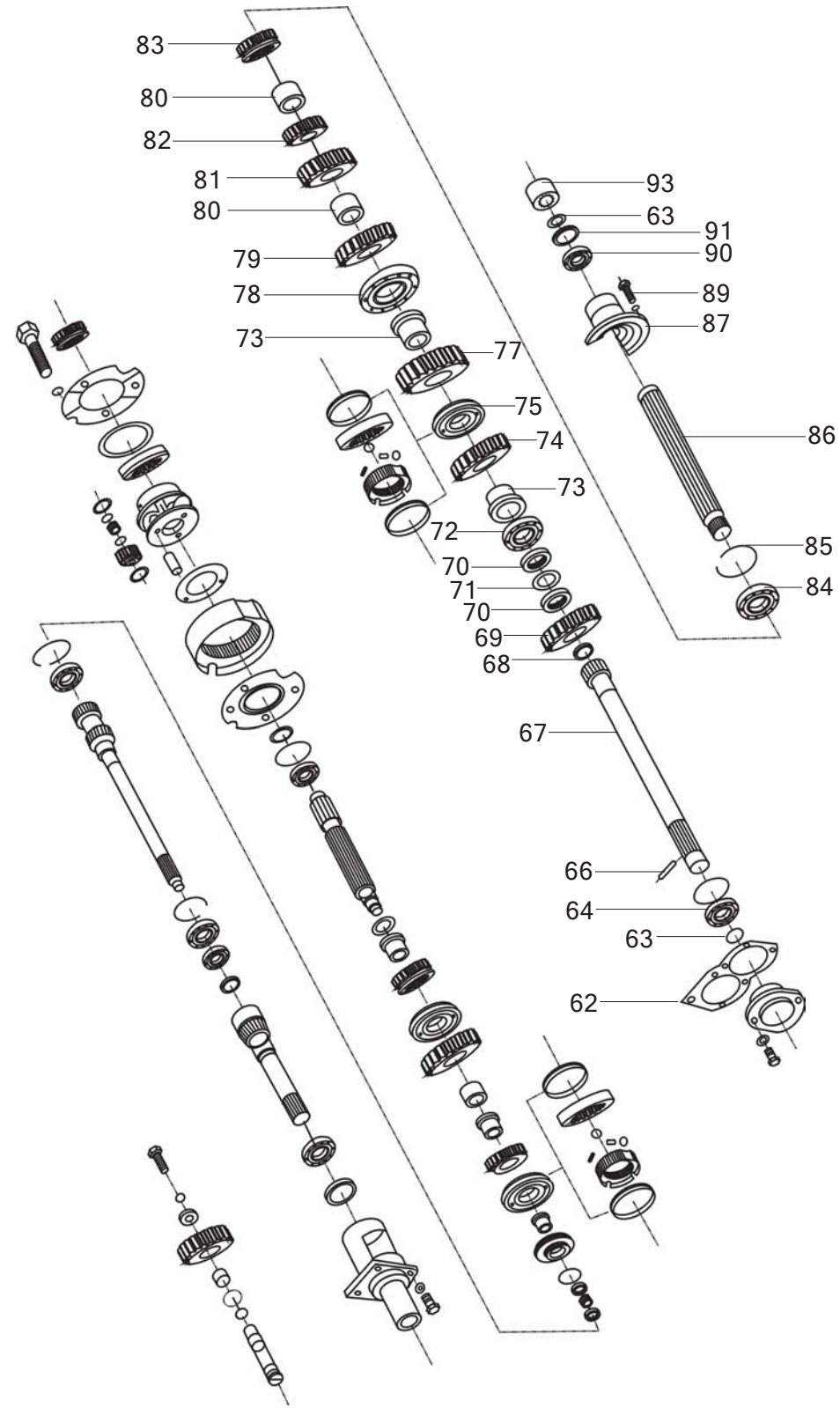
MUSA Part Number	Ref.	Description of Part	Unit Quantity	Remarks/ Service Bulletin No.
			ES25 4WD	
9210108BAA	52	Gasket	1	
9370127BBB	53	Gasket	1	
9370126BBB	54	Cover	1	
9370155BBB	55	Gasket.Cover CPTC.Clutch Housing	1	
G578386M825	56	Bolt	6	
9370101BBB01	57	Housing	1	
G115279M6	58	Grease Nipple	2	
G578200M1235109	59	Bolt	12	
G87986522	60	Pin	2	
G8948616	61	Washer	1	
G617086M12	62	Nut	2	
9370162AAA	63	Sleeve	2	
1023015DAH	64	Rubber plug	1	
G578200M1235	65	Bolt	9	



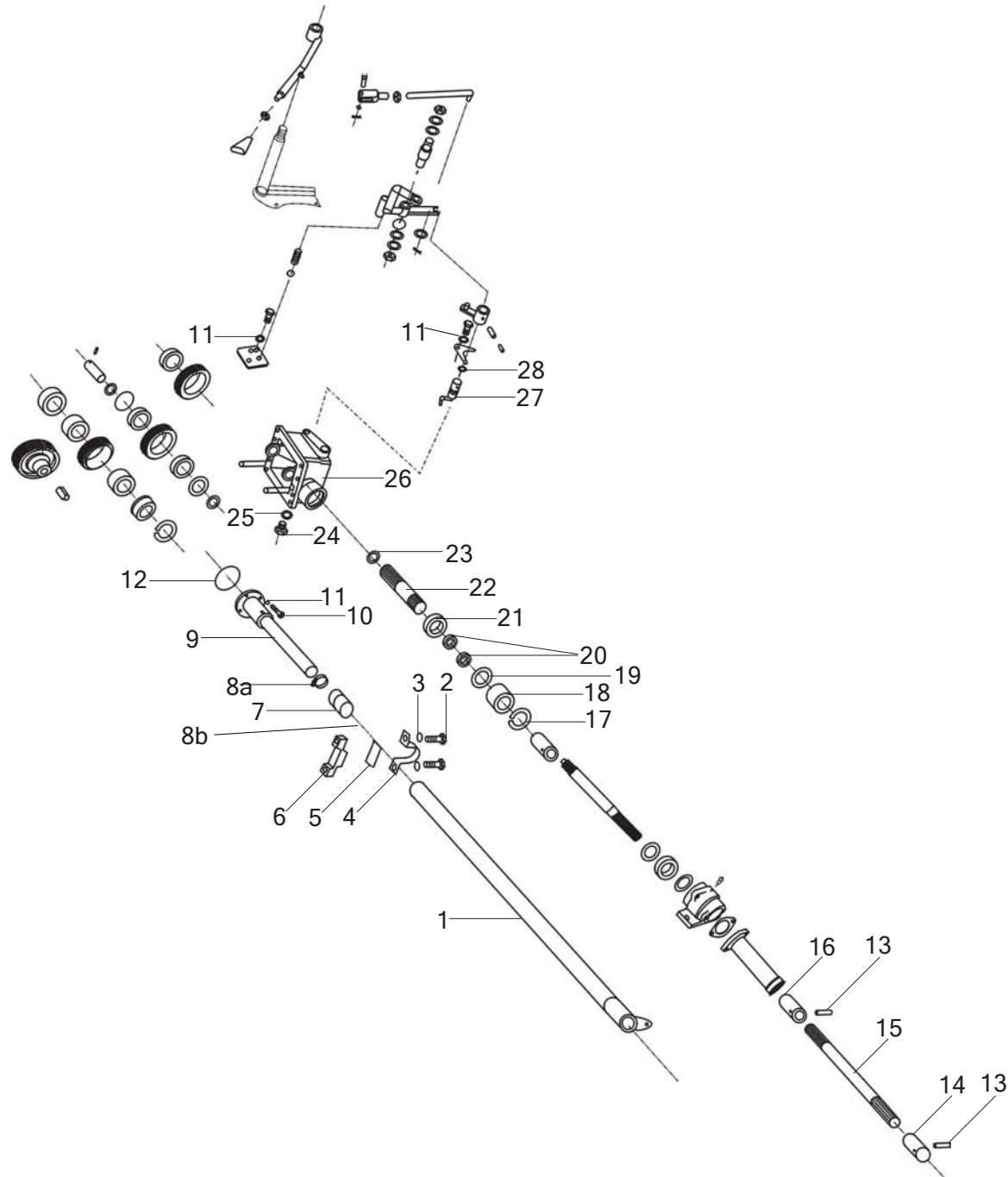
MUSA Part Number	Ref.	Description of Part	Unit Quantity	Remarks/ Service Bulletin No.
			ES25 4WD	
9370116BBB	1	Shaft	1	
G1235762524	2	"O"- seal	1	
9370114BBB	3	Washer	1	
9370803BBB	4	Spacer	1	
9370080BBB	5	Gear and bush assy	1	
9370117BBB	6	Washer	1	
G938712	7	Washer	5	
G578286M1220	8	Bolt	1	
G578386M1020	9	Bolt	8	
G938710	10	Washer	12	
9370103BBB01	11	Retainer	1	
H469267DSZ406210	12	Seal	1	
G27689108	13	Bearing	1	
9370102BBB01	14	Shaft	1	
G469267DSZ254010	15	Seal	1	
G27689205	16	Bearing	1	
G27689207	17	Bearing	2	
G8938672	18	Circlip	3	
9370117BBB	19	Shaft	1	
9370153AAA	22	Washer	2	
G3098425198	23	Needle	28	
9370136BBB	24	Half	2	
9370050BBB	25	Gear	1	
9370111BBB	26	Shaft Sleeve	1	
9371020BBB	27	Synchronizer	2	
9371201BBB	28	Synchronizer Ring	6	
9371202BBB	29	Hub	6	
G308891564	30	ball	9	
9371203BBB	31	Guide Block	9	



MUSA Part Number	Ref.	Description of Part	Unit Quantity	Remarks/ Service Bulletin No.
			ES25 4WD	
9371204BBB	32	Spring	9	
9371205BBB	33	Coupler	9	
9370040BBB	34	Gear	1	
9370112BBB	35	Shaft sleeve	1	
9370111BBB	36	Shaft sleeve	1	
9370030BBB	37	Gear	1	
9370020BBB	38	Gear	1	
9370110BBB	39	Shaft Sleeve	1	
9370147BBB	40	Washer	1	
9370144BBB	41	Key	1	
9370114BBB	42	Shaft	1	
G2778950207	43	Bearing	1	
G3058972786	44	Ring	1	
G8948635	45	Circlip	1	
9370148BBB01	46	Cap	1	
9370901BBB01	47	Gear	1	
9370301AAA	48	Plate	1	
9370302AAA	49	Shaft	3	
9370304AAA	50	Plate	6	
9370307AAA	51	Gear	3	
9370303AAA	52	Spacer	6	
G309773198	53	Needle	66	
9370311AAA	54	Carrier	1	
9370311AAA	55	Coupler	1	
9370305AAA	56	Plate	1	
9370306AAA	57	Cover	1	
G578286M1270	59	Bolt	4	
9370168AAD	60	Coupler	1	
9370103BBD	61	Cap	1	



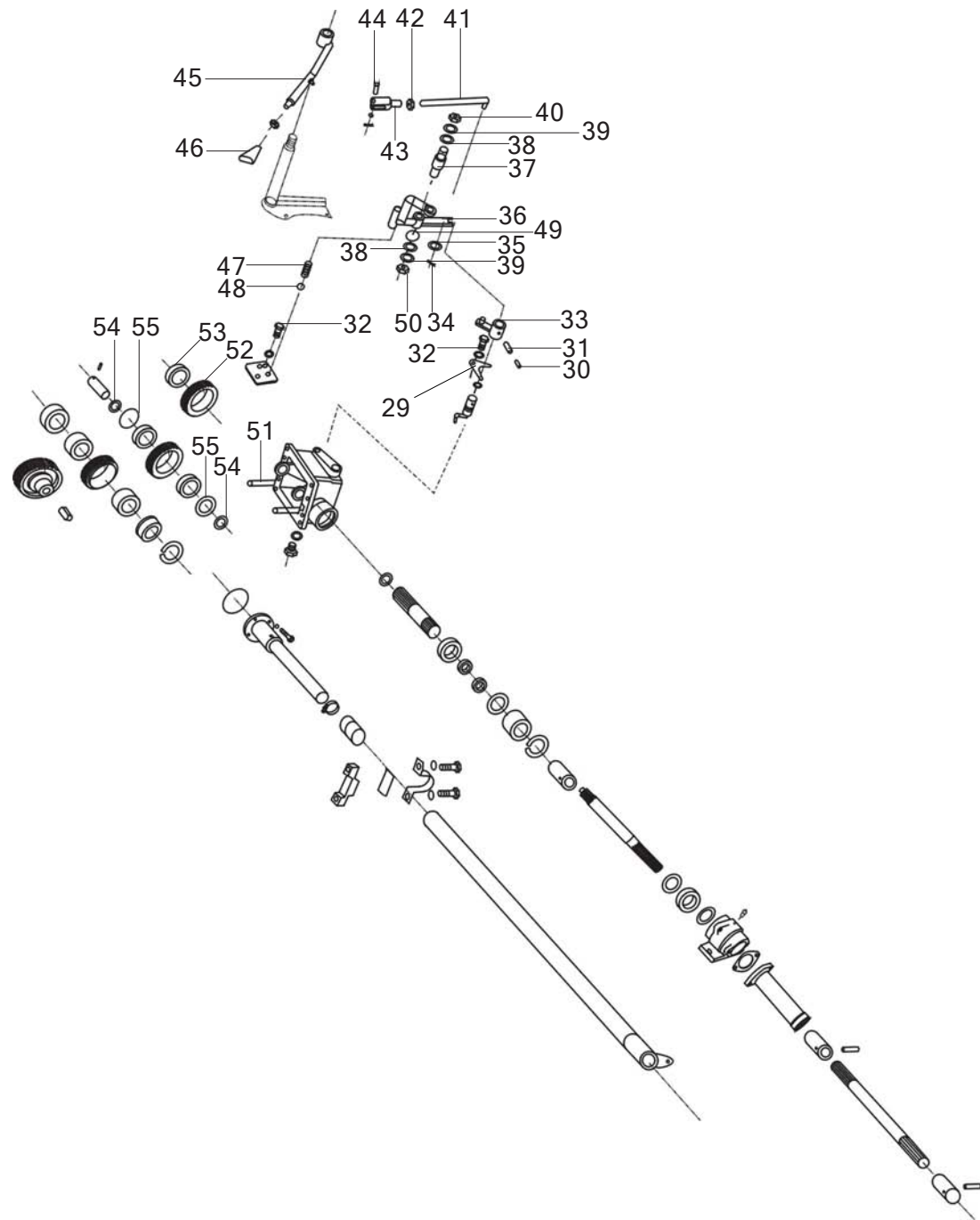
MUSA Part Number	Ref.	Description of Part	Unit Quantity	Remarks/ Service Bulletin No.
			ES25 4WD	
9370139BBB	62	Gasket	1	
G8948630	63	Circlip	2	
G27689306	64	Bearing	1	
G87986645	66	Pin	1	
9370118BBB	67	shaft	1	
9370118BBD	68	Collar	1	
9370114BBD	69	gear	1	
G81276M3915	70	nut	2	
G8587639	71	Washer	1	
G27689208	72	Bearing	1	
9370115BBB	73	Shaft sleeve	2	
9370060BBB	74	gear	1	
9371030BBB	75	Synchronizer	1	
9371301BBB	76	Hub	1	
9370070BBB	77	Gear	1	
G27689209	78	Bearing	1	
9370109BBB	79	Gear	1	
9370105BBB	80	Shaft sleeve	2	
9370108BBB	81	Gear	1	
9370107BBB	82	Gear	1	
9370106BBB	83	Gear	1	
G2778950209	84	Bearing	1	
G3058985	85	Circlip	1	
9370121BBB	86	Shaft	1	
9370134BBB	87	Cap	1	
G578386M1025	89	Bolt	4	
G27689106	90	Bearing	1	
G8938655	91	Circlip	1	
9370113BAA	93	Coupler	1	



MUSA Part Number	Ref.	Description of Part	Unit Quantity	Remarks/ Service Bulletin No.
			ES25 4WD	
9420020BBA	1	Sleeve	1	
G2176M104088	2	Bolt	2	
G938710	3	Washer	9	
9420121ABA	4	Clip	1	
9420123ABA	5	Rubber Pad	1	
9420122ABA	6	Pad	1	
9420112ABA	7	O-Seal	1	
HG094670	8a	Clip	1	
HG092751	8b	Clip	1	
9420060BBA	9	Sleeve	1	
G578386M825	10	Bolt	6	
G93878	11	Washer	9	
G1235768031F	12	Seal	1	
G87986835	13	Pin	2	
9420111BBD	14	Connector	1	
9420107BBA	15	Shaft	1	
9420110BBD	16	Connector	1	
G8938655	17	Circlip	1	
9420110ABA	18	Retainer	1	
9420120ABA	19	Seal	1	
G987788FB254210F	20	Seal	3	
G27689205	21	Bearing	1	
9420106ABA	22	Shaft	1	
G8948624	23	Circlip	1	
9380120AA001	24	Plug	1	
71001020	25	Washer	1	
9420108BBD	26	Transfer case body	1	
9420070ABA	27	Rod	1	
G1235762024F	28	O-Seal	1	

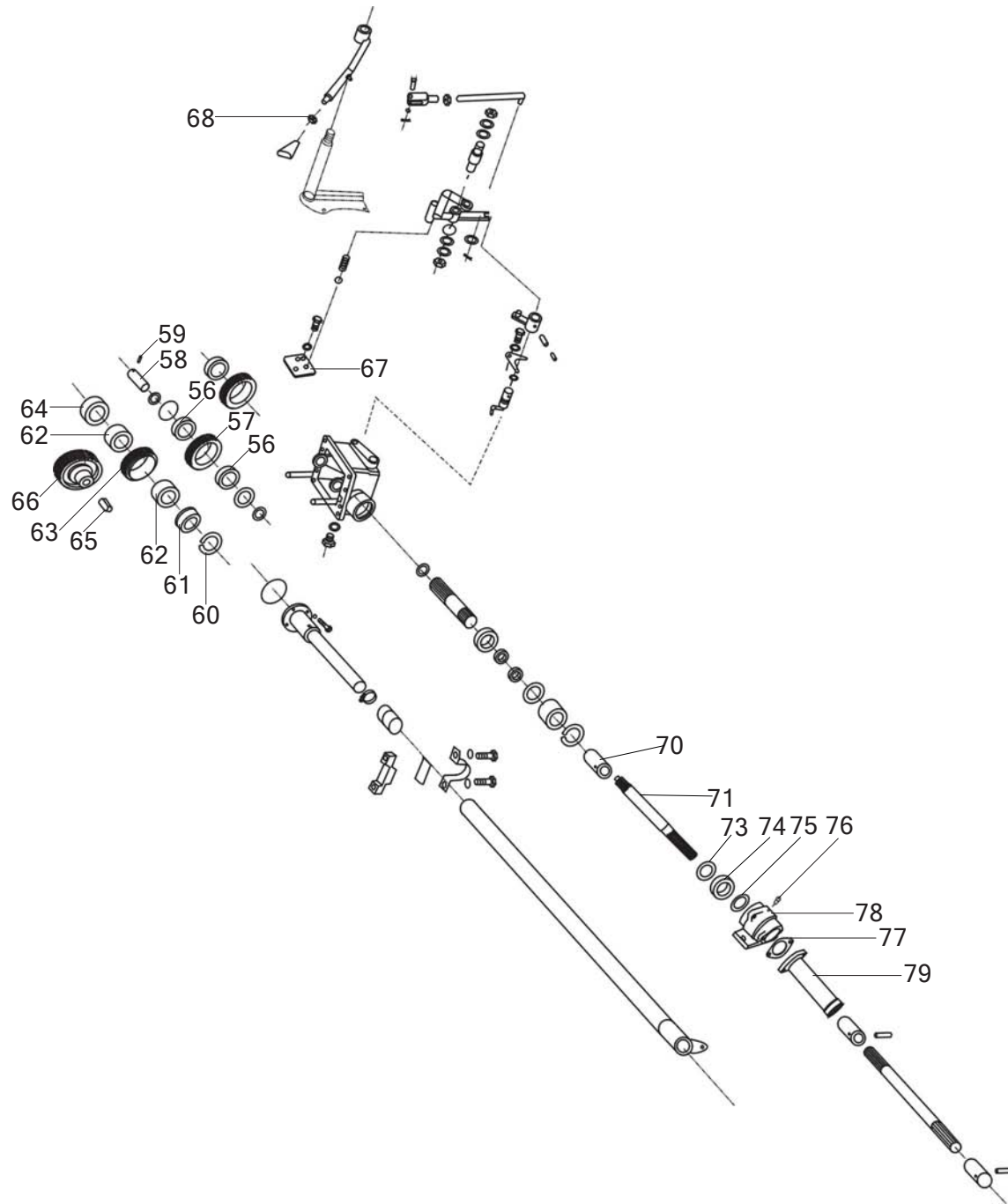
Transfer Case and Drive Shaft

Transfer Case and Drive Shaft



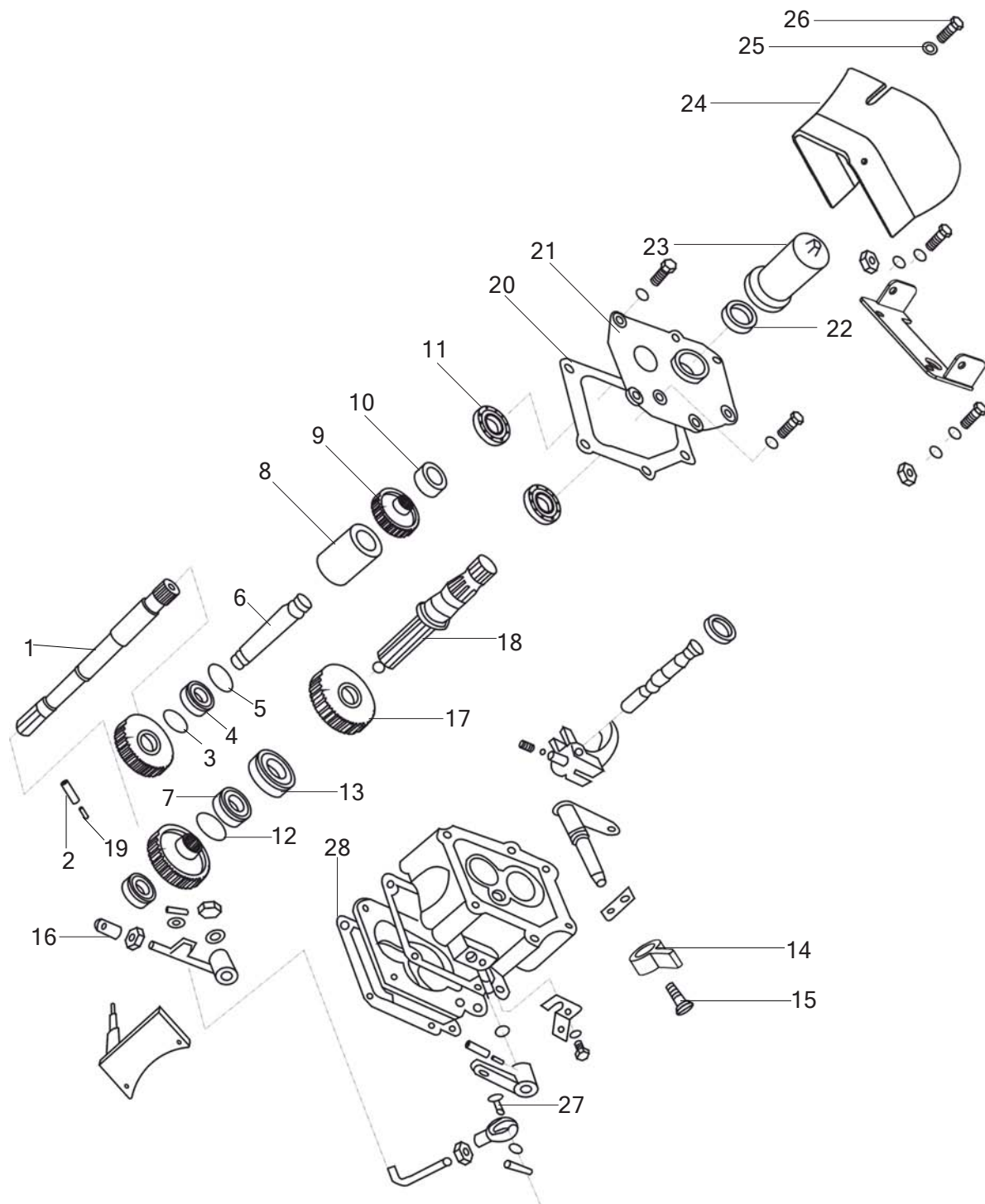
MUSA Part Number	Ref.	Description of Part	Unit Quantity	Remarks/ Service Bulletin No.
			ES25 4WD	
9420113ABA	29	Plate	1	
G87986532	30	Pin	1	
G87986832	31	Pin	1	
G578386M816	32	Bolt	3	
9420080ABA	33	Arm	1	
G91863225	34	Pin	2	
G978510	35	Washer	2	
9420040BBA01	36	Lever	1	
9420114ABA	37	Shaft	1	
G978512	38	Washer	2	
G938712	39	Washer	2	
G617086M12	40	Nut	1	
9420106BBD	41	Link	1	
G617086M10	42	Nut	1	
9420123BAB	43	Fork	1	
G88286B1028	44	Pin	2	
9420030BBB01	45	Lever	1	
9420050BBA	46	Handle	1	
9370133AAA	47	Spring	1	
G3088910G100B	48	Ball	1	
G1235761424F	49	O-Seal	1	
G617086M12	50	Nut	1	
9420125ABA	51	Pin	2	
9420105ABA	52	Gear	1	
G27689304	53	Bearing	1	
9420116ABA	54	Spacer	2	
G3058947527	55	Circlip	2	

Transfer Case and Drive Shaft

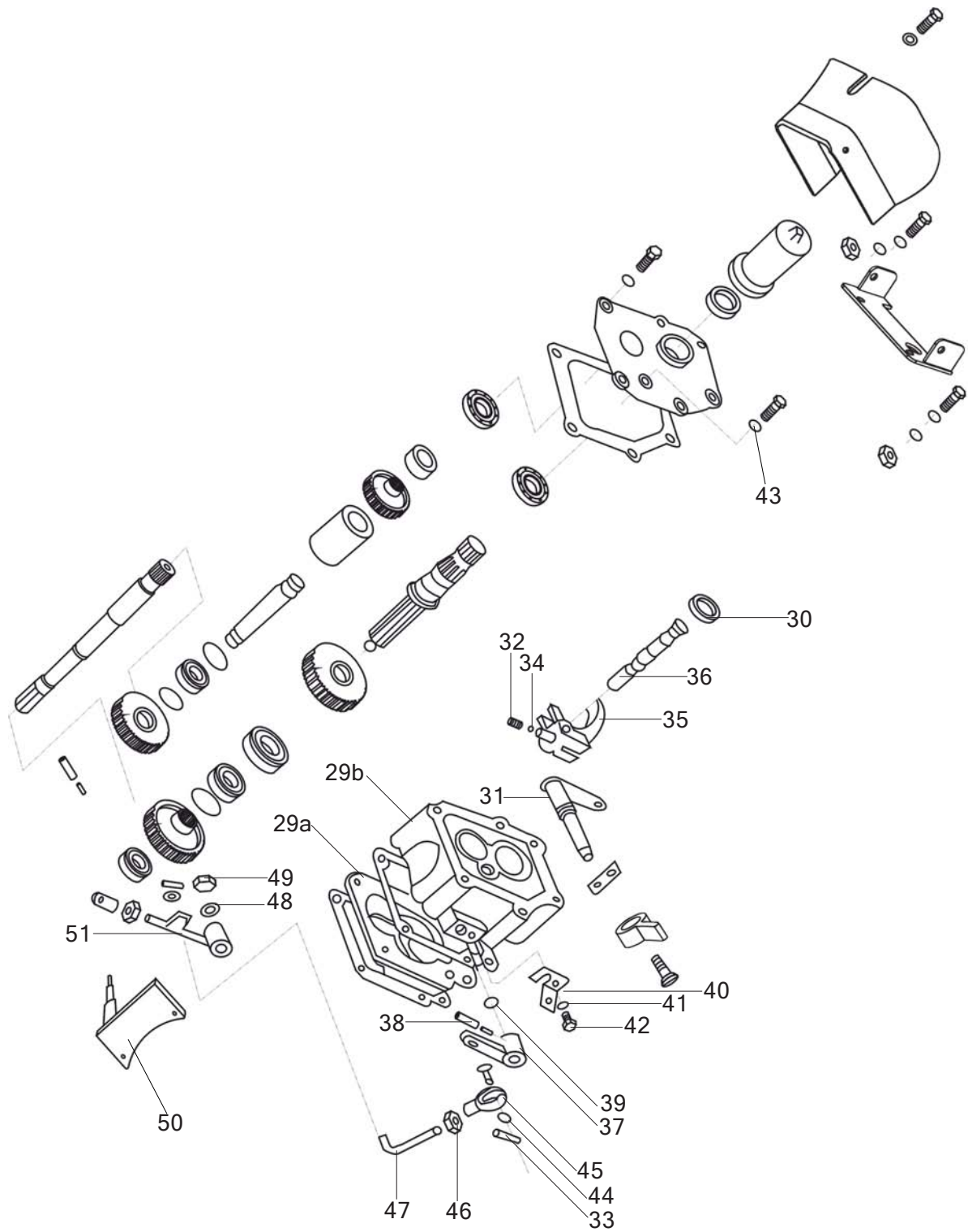


Transfer Case and Drive Shaft

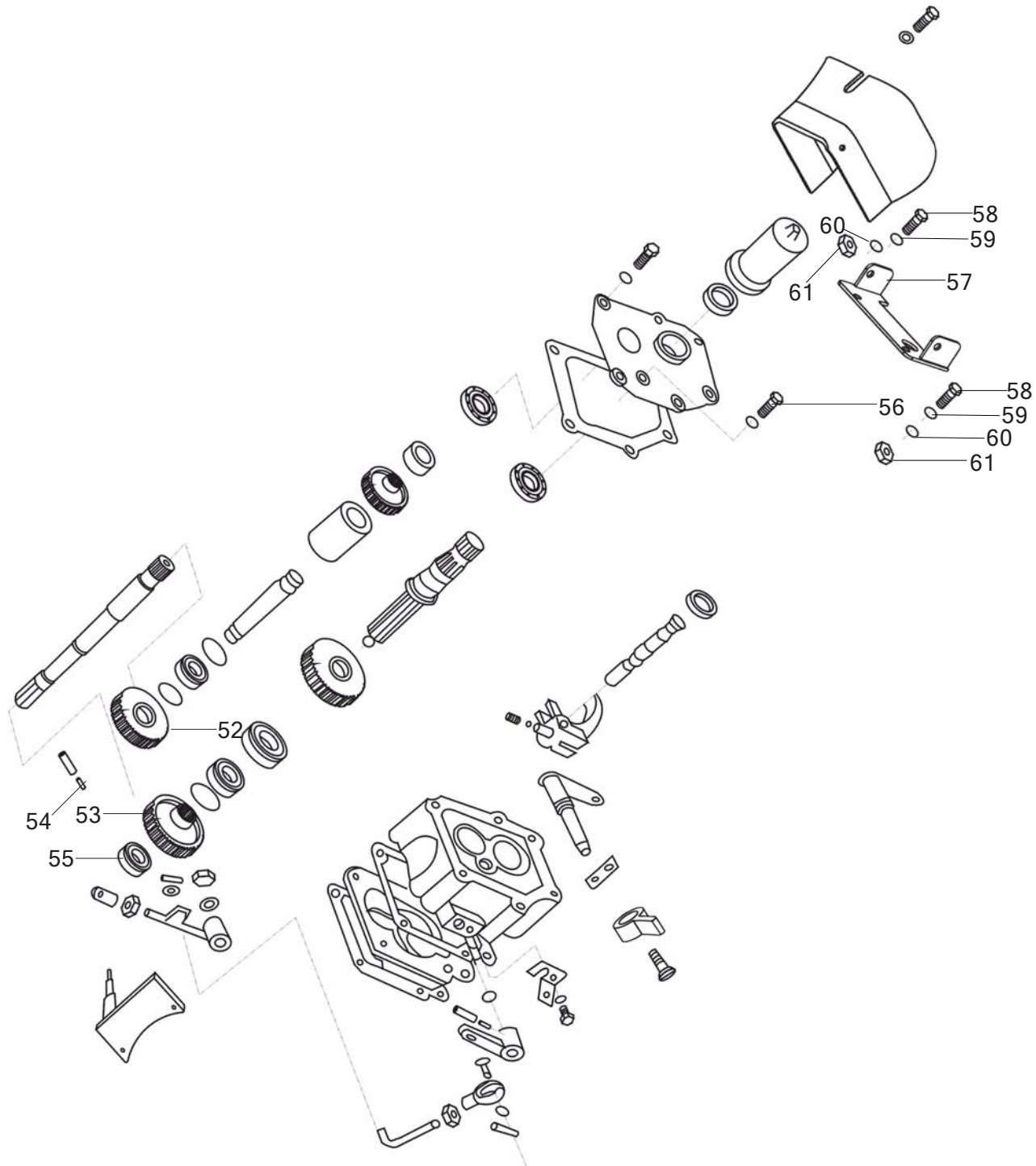
MUSA Part Number	Ref.	Description of Part	Unit Quantity	Remarks/ Service Bulletin No.
			ES25 4WD	
G2778950204	56	Bearing	2	
9420104ABA	57	Gear	1	
9420109ABA	58	Shaft	1	
G87986635	59	Pin	1	
G8948630	60	Spacer	1	
9420112BBD	61	Circlip	1	
G278894524906	62	Bearing	2	
9420103ABA	63	Gear	1	
9420107ABA	64	Spacer	1	
9380115AAA	65	Key	1	
9420102ABA	66	Gear	1	
9421050ABA	67	Plate	1	
G617286M14	68	Nut	1	
9420111ABA	70	Connector	1	
9420117BBB	71	Shaft	1	
G968512	73	Washer	1	
G2778960205	74	Bearing	1	
G1235765531	75	O-Seal	1	
G115276M6	76	Nipple	1	
9421401ABA	77	Paper Washer	1	
9420118ABA	78	Shaft seat	1	
9420128ABA	79	Connector	1	



MUSA Part Number	Ref.	Description of Part	Unit Quantity	Remarks/ Service Bulletin No.
			ES25 4WD	
9410101BBD	1	Shaft	1	
G87986850	2	Pin	1	
G8948630	3	Circlip	2	
G2778950306	4	Bearing	1	
G3058972786	5	Circlip	1	
9410111BAA	6	Shaft	1	
G27689106	7	Bearing	1	
9410110BBB	8	Spacer	2	
9410109BAA	9	Gear	1	
9410121BAA	10	Spacer	1	
G27689306	11	Bearing	1	
G3058980866	12	Circlip	2	
G2778950307	13	Bearing	1	
9410120BBS	14	Sleeve	1	
9410128BBS	15	Screw	1	
9410090BBB	16	Handle	1	
9410117BBA	17	Gear	1	
9410020BAA	18	Shaft	1	
G87986550	19	Pin	1	
9410113AAB	20	Gasket	1	
9410114BAA	21	Cover	1	
G987788FB355612F	22	Seal	1	
9410104AAA	23	Cover	1	
9410050BBS02	24	Guard	1	
G938712	25	Washer	6	
G578286M12160	26	Bolt	6	
G88286B1030	27	Pin	1	
9410103AAA	28	Gasket	2	



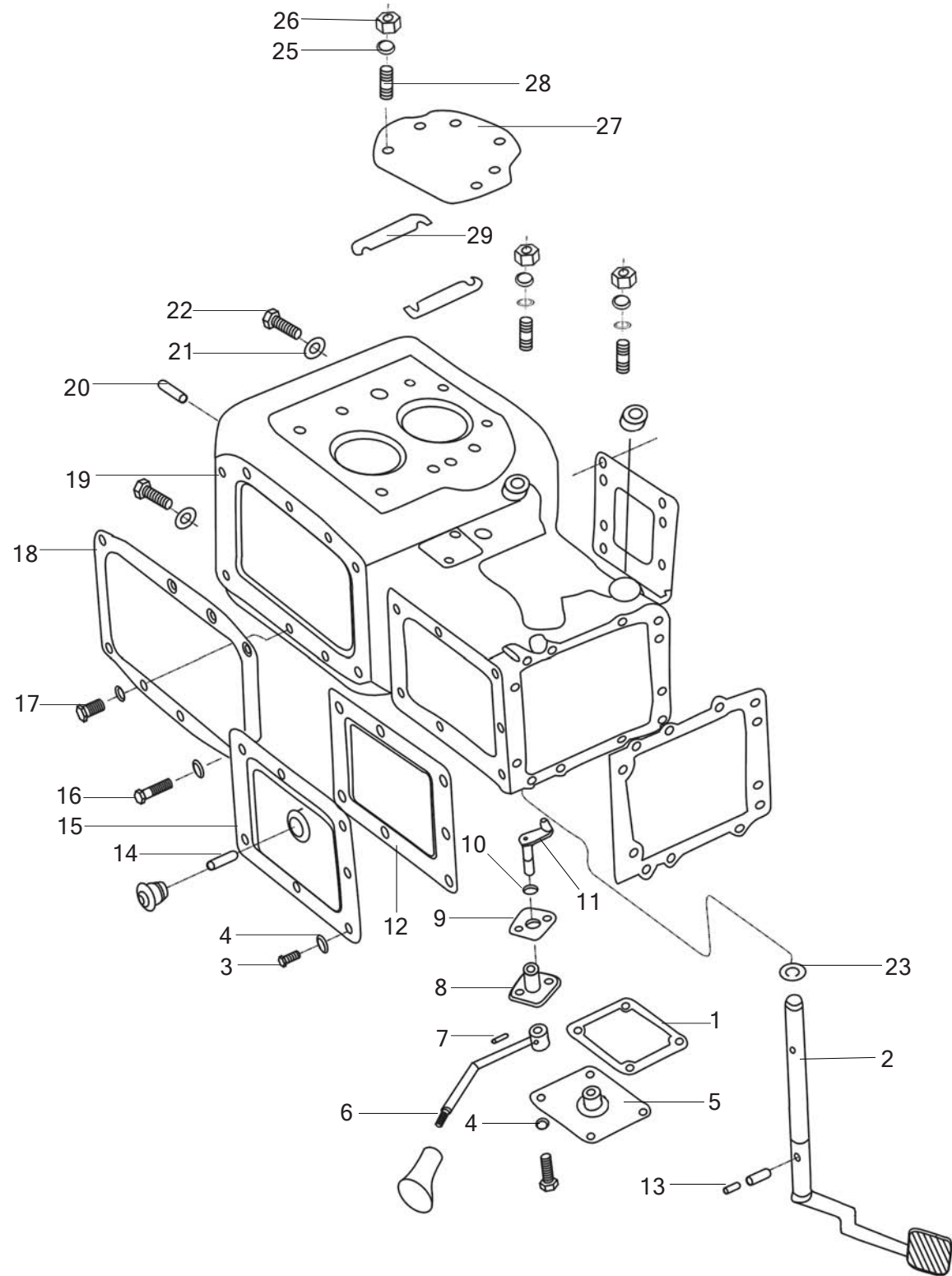
MUSA Part Number	Ref.	Description of Part	Unit Quantity	Remarks/ Service Bulletin No.
			ES25 4WD	
9410040BAA02	29	Housing Assembly Consists of:	1	
9410401BAA	29a	→ Cover	1	
9410402BAA02	29b	→ Housing	1	
G8948622	30	Circlip	1	
9410030AAB	31	Shift	1	
9410120AAB	32	Spring	1	
G91863225	33a	Pin	1	
G91863220	33b	Pin	2	
G308898G100B	34	Ball	1	
9410106AAB	35	Fork	1	
9410107BBB	36	Rail	1	
9410070BAB	37	Rocker	1	
G87986835	38a	Pin	1	
G87986535	38b	Pin	1	
G1235762524	39	Seal	1	
9410105BBB02	40	Stop	1	
G938710	41	Washer	1	
G578386M1016	42	Bolt	1	
710011102	43	Washer	1	
G978510	44	Washer	2	
9410123BAB	45	Fork	1	
G617186M101	46	Nut	1	
9410124BAB	47	Link	1	
G968512	48	Washer	1	
G617086M12	49	Nut	1	
9410080BBB01	50	Bracket	1	
9410020BBB02	51	Lever	1	



MUSA Part Number	Ref.	Description of Part	Unit Quantity	Remarks/ Service Bulletin No.
			ES25 4WD	
9410104BBD	52	Gear	1	
9410103BBD	53	Gear	1	
G87986550	54	Pin	1	
G27689206	55	Bearing	1	
G578386M1012	56	Bolt	1	
941005BBS	57	Support plant	1	
G578300M1025	58	Bolt	2	
G978510	59	Washer	2	
G938710	60	Washer	2	
G617000M10	61	Nut	2	

Differential Housing and Levers

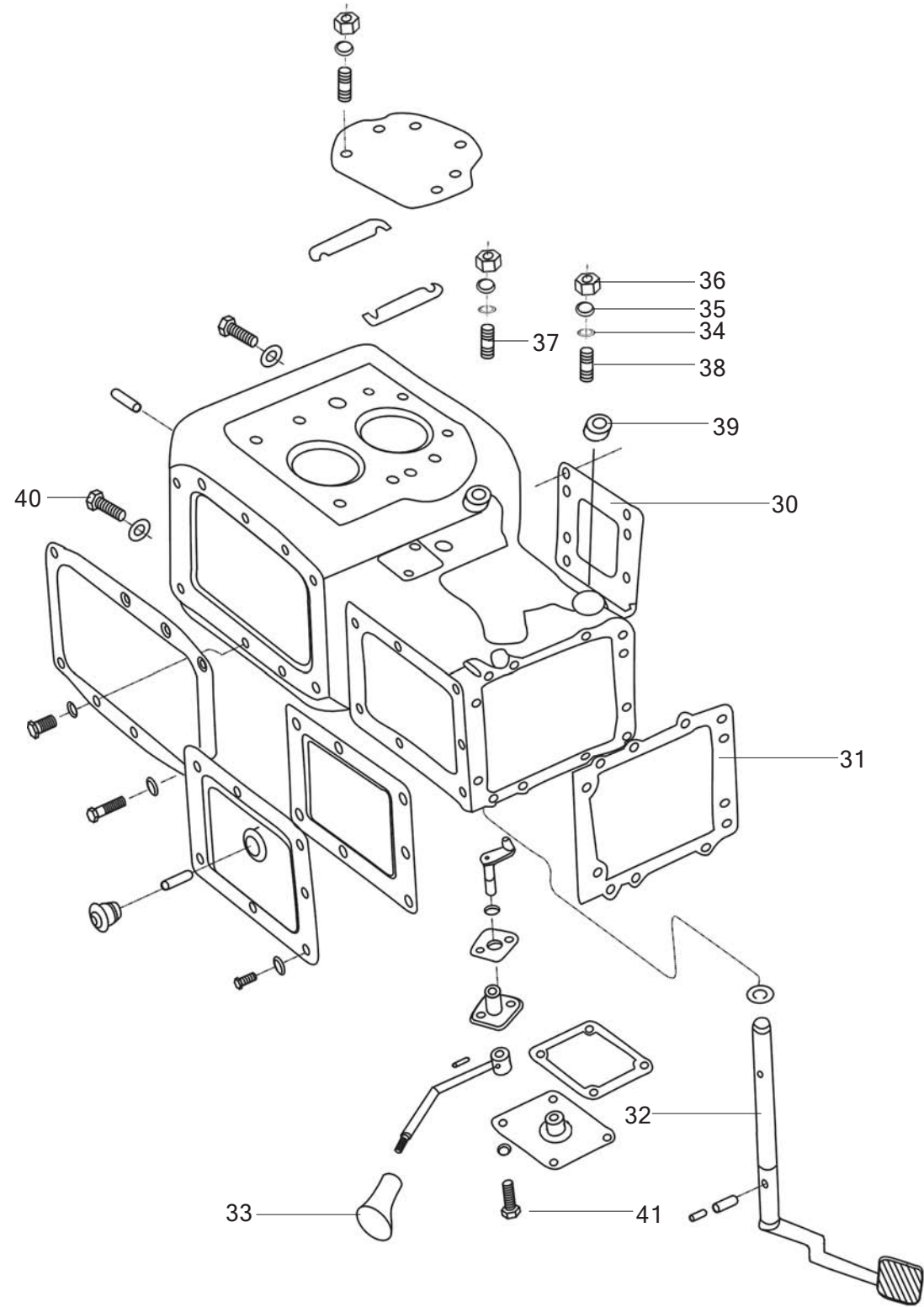
Differential Housing and Levers



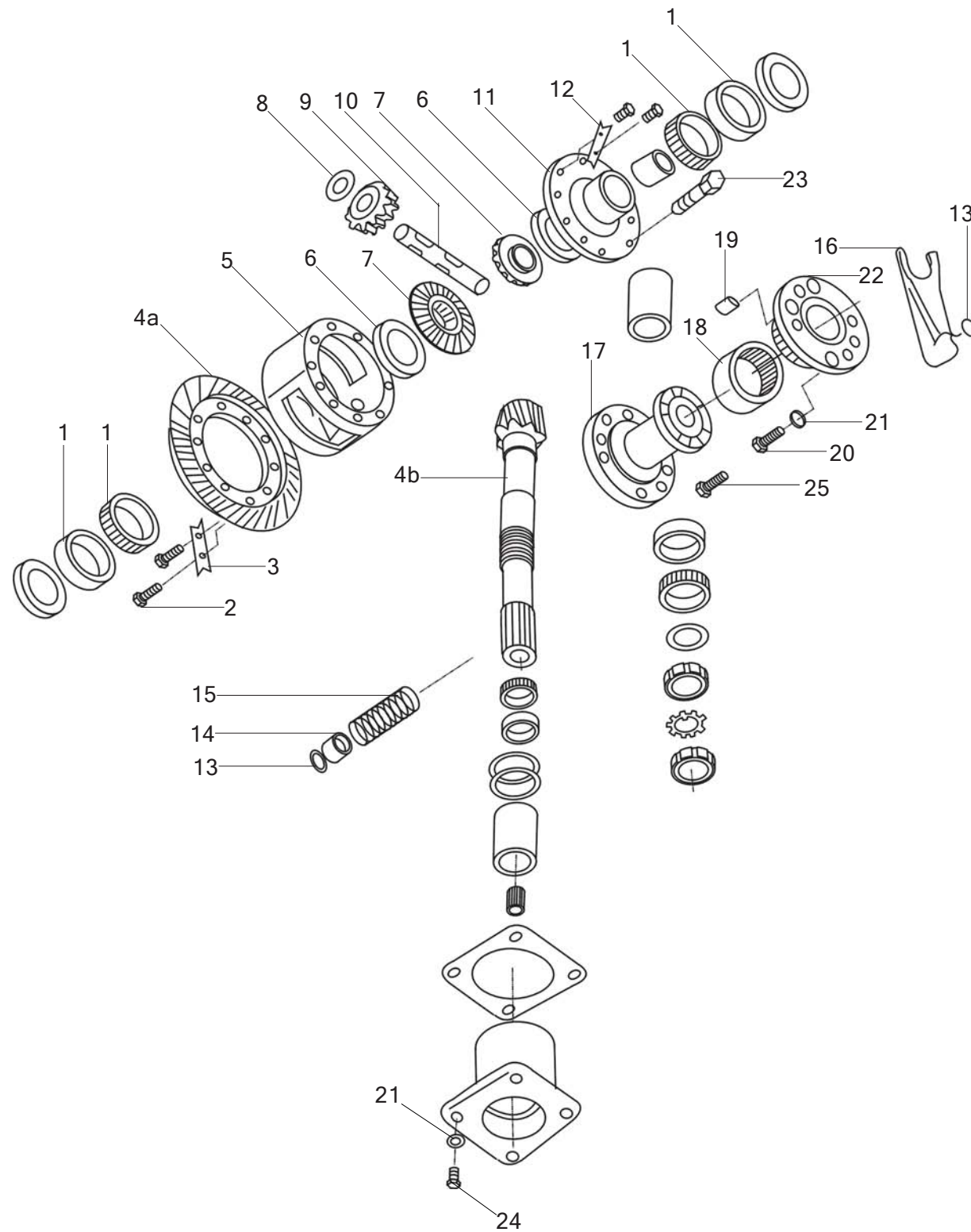
MUSA Part Number	Ref.	Description of Part	Unit Quantity	Remarks/ Service Bulletin No.
			ES25 4WD	
9380108AAA	1	Gasket	1	
9381020BBS	2	Lever	1	
G578386M1020	3	Screw	9	
G938710	4	Washer	21	
9381050BBS	5	Cover	1	
9380081BBA	6	Rod	1	
G87986628	7	Pin	1	
9380111AAA	8	Sleeve	1	
9380109AAA	9	Gasket	1	
G1235761524F	10	Seal	1	
9380110BBA	11	Pin	2	
9380103AAA	12	Gasket	1	
G87986540	13	Pin	2	
9380050AAA	14	Dipstick	1	
9380040AAA	15	Cover	1	
G578286M1070	16	Screw	1	
G578286M1045	17	Screw	7	
9380105AAA	18	Gasket	1	
9381102BBS01	19	Housing	1	
9380115AAA	20	Pin	2	
710011M2015	21	Washer	2	
9380120AAD	22	Screw	1	
G978520	23	Washer	2	
G978512	24	Washer	8	
G938712	25	Washer	20	
G617086M12	26	Nut	20	
9380106AAA	27	Gasket	2	
G89888AM123088	28	Stud	12	
9380107BAB	29	Shims	8	

Differential Housing and Levers

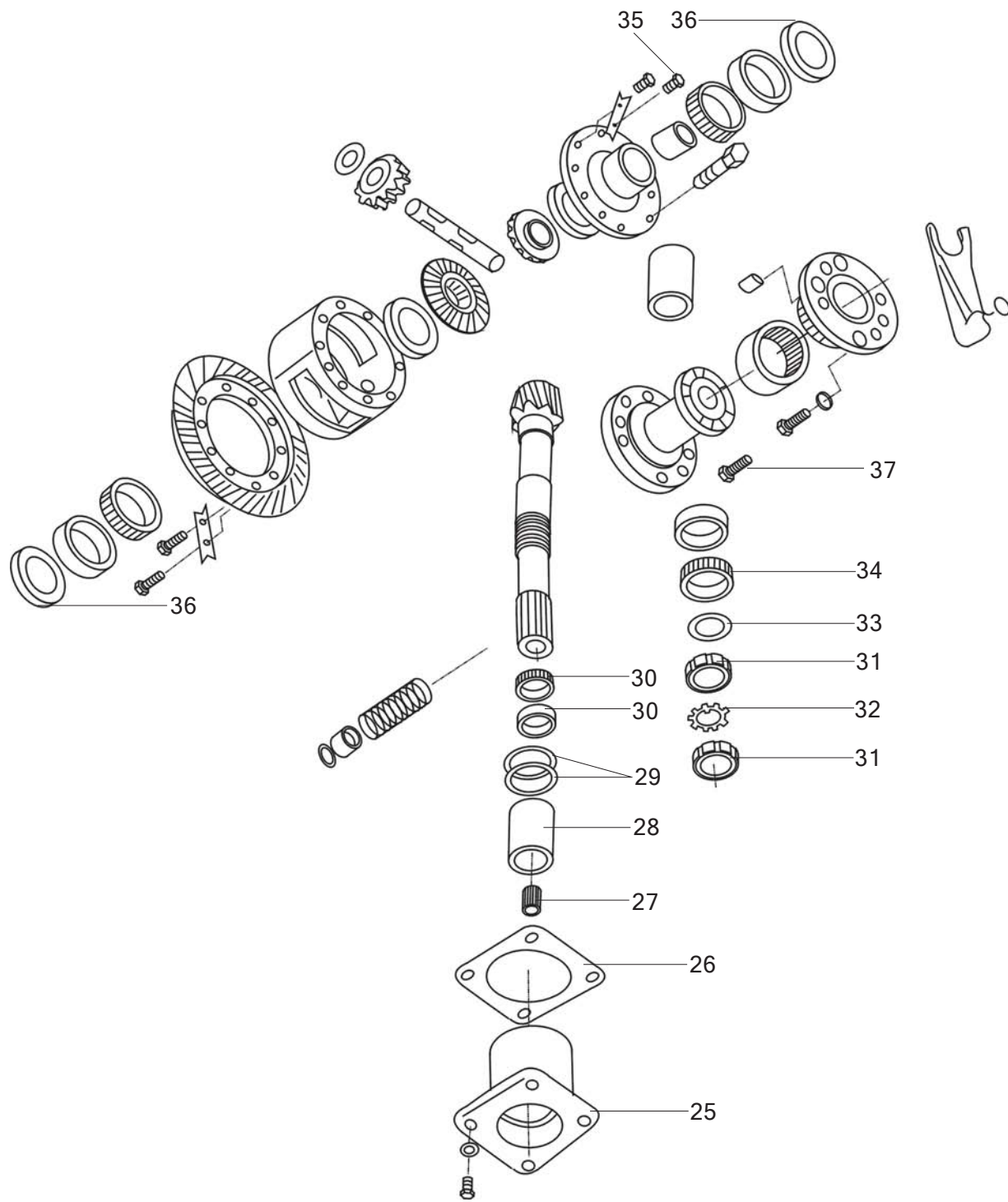
Differential Housing and Levers



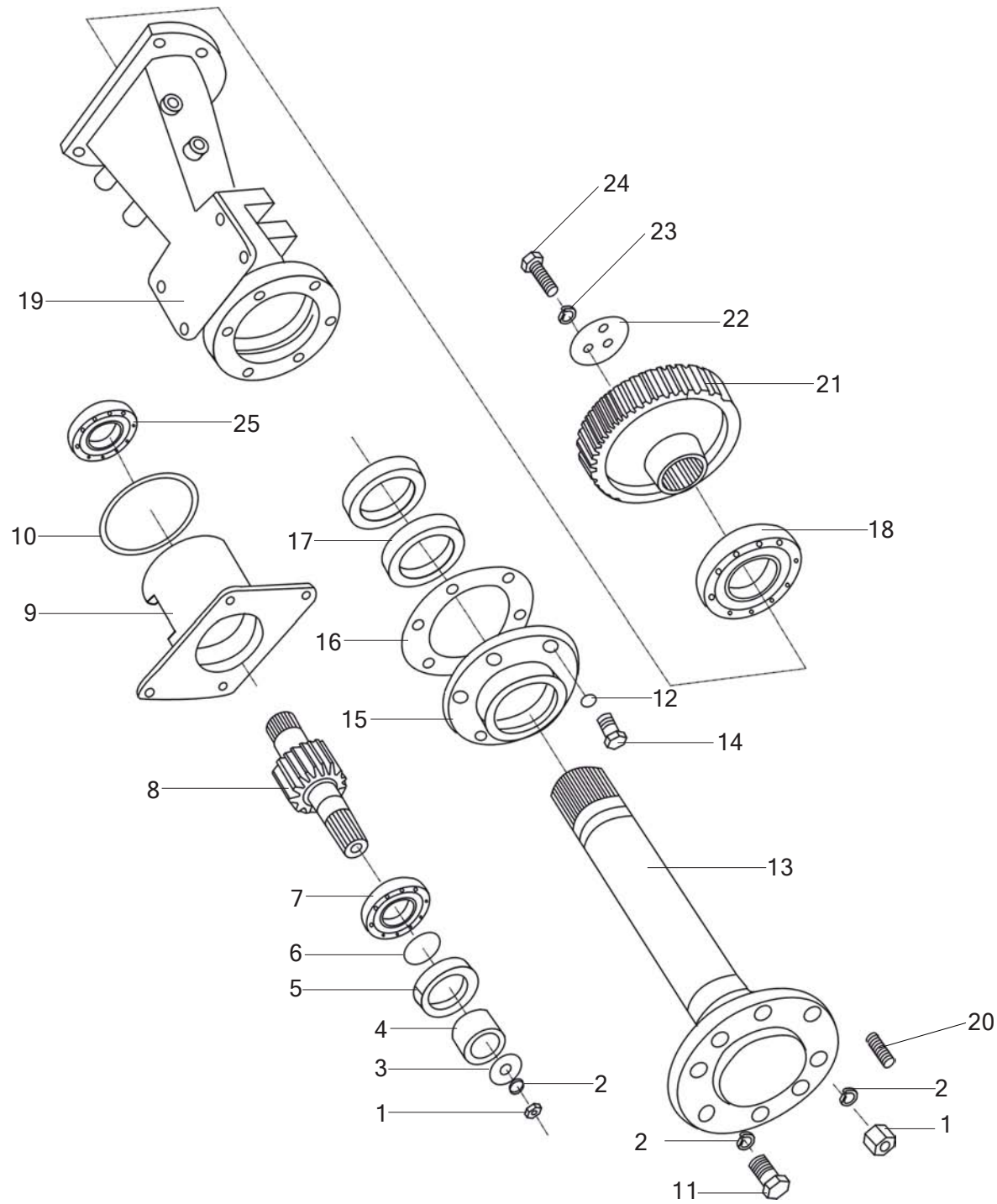
MUSA Part Number	Ref.	Description of Part	Unit Quantity	Remarks/ Service Bulletin No.
			ES25 4WD	
9381101ABA	30	Gasket	1	
9380102AAA	31	Gasket	1	
G87986840	32	Pin	2	
9380813BBA	33	Handle	1	
G978512	34	Washer	8	
G938712	35	Washer	8	
G617086M12	36	Nut	8	
G89888AM1211088	37	Stud	6	
G89888AM1211588	38	Stud	2	
9380113AD01	39	Bush	1	
710006M2015	40	Stud	1	
G578386M1025	41	Screw	4	



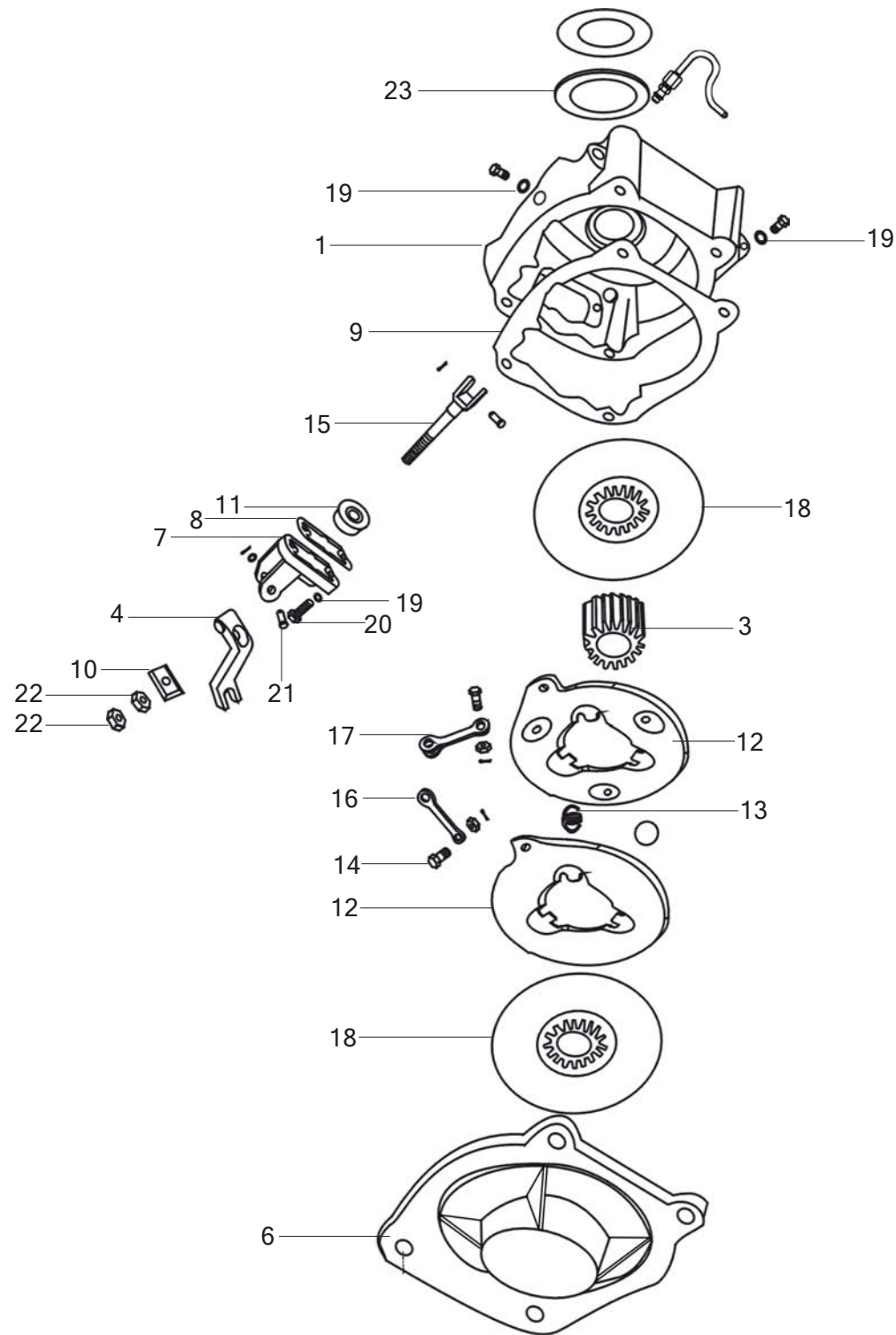
MUSA Part Number	Ref.	Description of Part	Unit Quantity	Remarks/ Service Bulletin No.
			ES25 4WD	
G2978420007111	1	Bearing	2	
G578386M1215252	2	Screw	10	
9380212AAA	3	Washer	5	
	4	Duble Gear Consists of:	1	
9380203BAB	4a	→ Gear	1	
9380301BAB	4b	→ Gear	1	
9380201BAB	5	Housing	1	
9380208AAA	6	Washer	2	
9380205AAA	7	Gear	2	
9380207AAA	8	Washer	2	
9380204AAA	9	Gear	2	
9380206AAA	10	Shaft	1	
9380202BAB	11	Cover	1	
9380210AAA	12	Washer	5	
G1235762024	13	Seal	2	
9381103ABA	14	Seat	1	
9381104ABA	15	Spring	1	
9381105ABA	16	Fork	1	
9381107ABA	17	Plate	1	
9381106ABA	18	Coupler	1	
G11986A1620	19	Pin	4	
G578386M1225	20	Screw	6	
G938712	21	Washer	16	
9381030ABA	22	Flange	1	
9380211AAA	23	Screw	1	
G578386M1235	24	Screw	4	
G578386M1230	25	Screw	6	



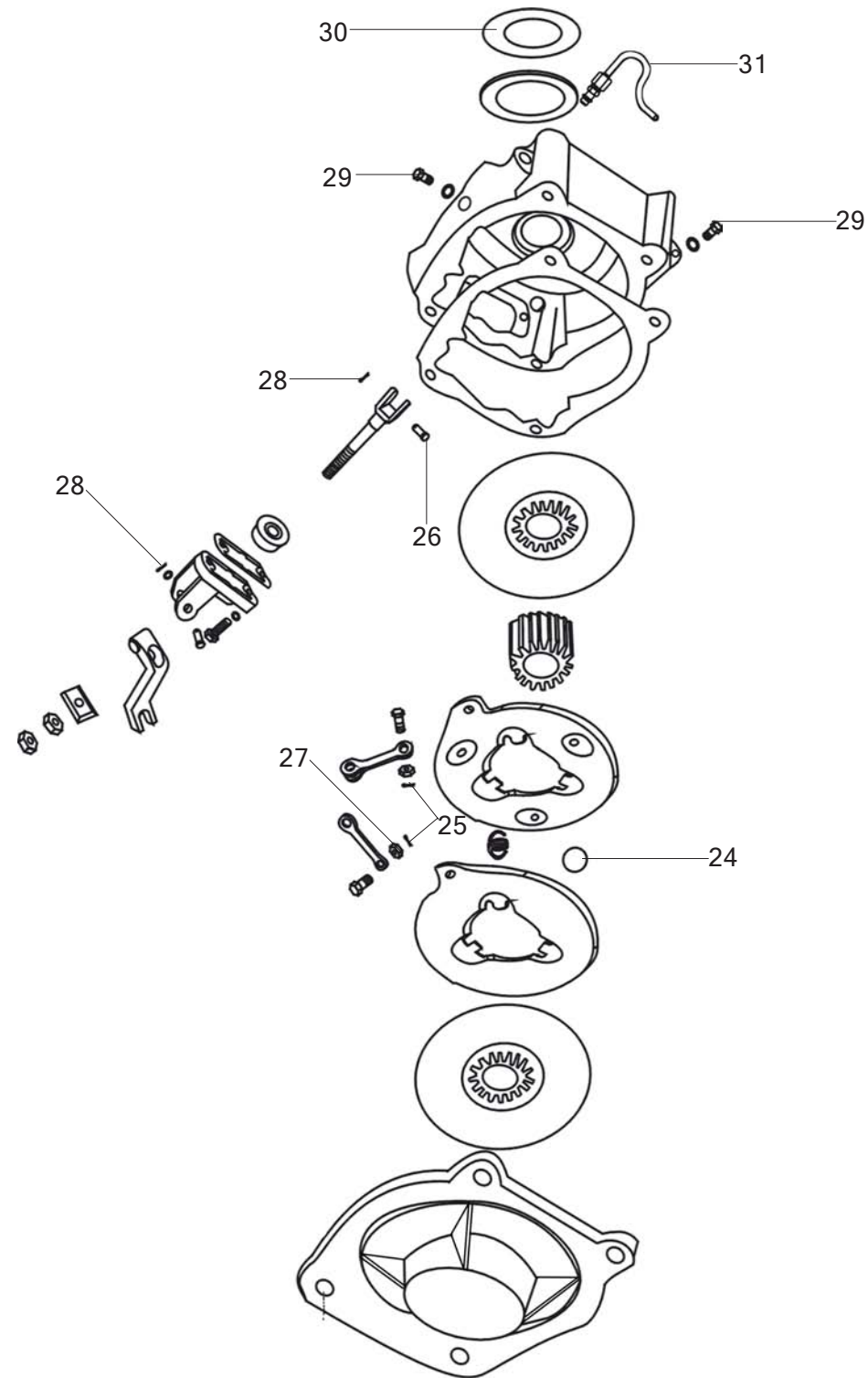
MUSA Part Number	Ref.	Description of Part	Unit Quantity	Remarks/ Service Bulletin No.
			ES25 4WD	
9380302BAB	25	Carrier	1	
9380104AAA	26	Washer	1	
G580186924314	27	Bearing	1	
9380303BAB	28	Spacer	1	
9380306AAA	29	Shims	A.R	
G2978427307E	30	Bearing	1	
9380304AAA	31	Nut	2	
9380305AAA	32	Washer	1	
9380308AAA	33	Washer	1	
G297867507	34	Bearing	1	
G578386M1025109	35	Screw	9	
9380213BAB	36	Washer	2	
G578386M1230	37	Screw	6	



MUSA Part Number	Ref.	Description of Part	Unit Quantity	Remarks/ Service Bulletin No.
			ES25 4WD	
G617086M16	1	Nut	6	
G938716	2	Washer	18	
9390108BAB	3	Washer	2	
9390106AAA01	4	Sleeve	2	
G987798B507012F	5	Seal	2	
G1235763635F	6	Seal	2	
G27689307	7	Bearing	2	
9390104BAB01	8	Gear	2	
9390103BBS	9	Housing	2	
G12357611031F	10	Seal	12	
G578386M1635	11	Screw	12	
G938712	12	Washer	12	
9390102ABA	13	Shaft	12	
G578386M1235	14	Screw	12	
9390102AAA	15	Cover	2	
9390109AAA	16	Gasket	2	
G987788FB609012F	17	Seal	4	
G27689211	18	Bearing	4	
9390101BAA	19	Housing	2	
G89888M1630	20	Stud	4	
9390105BAB	21	Gear	2	
9390107AAA	22	Washer	2	
G93878	23	Washer	6	
G578386M820	24	Screw	6	
G27689110	25	Bearing	2	

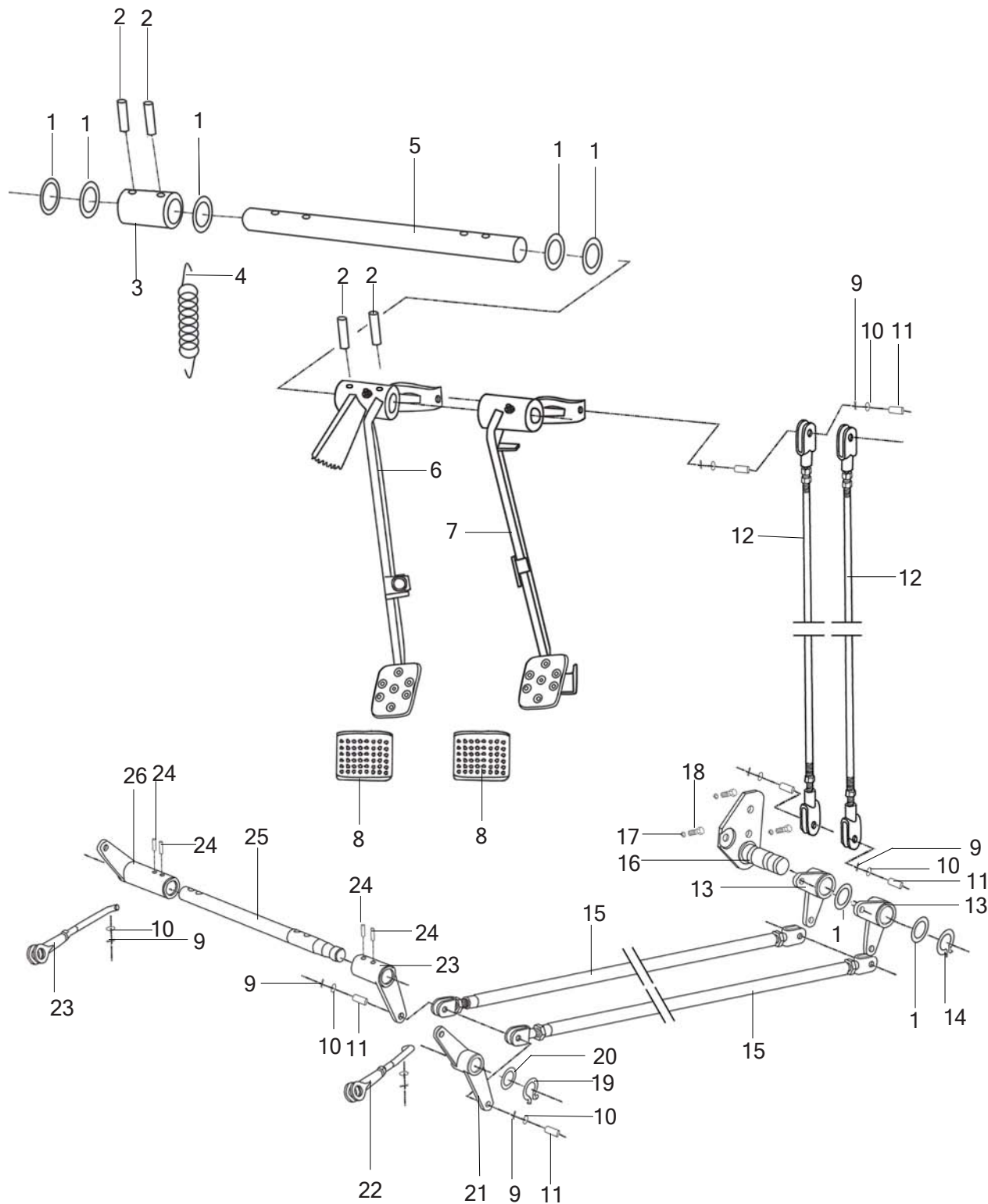


MUSA Part Number	Ref.	Description of Part	Unit Quantity	Remarks/ Service Bulletin No.
			ES25 4WD	
9432050ABS	*	Brake assembly(R)	1	
9432040ABS	*	Brake assembly(L)	1	
9432501ABS	1	Housing(R)	1	
9432401ABS	2	Housing(L)	1	
9430127BBB02	3	Spacer	2	
9430150BBS01	4	Rocker(R)	1	
9430151BBS01	5	Rocker(L)	1	
9432402BBS01	6a	Cover(L)	1	
9432502BBS01	6b	Cover(R)	1	
9432403BBS	7	Rocker seat	2	
9432404BBS	8	Gasket	2	
9432405BBS	9	Gasket	2	
9432406BBS	10	Pad	2	
9432041BBS	11	Rubber shield	2	
9432421BBS	12	Plate	4	
9432422BBS	13	Spring	6	
9432423BBS	14	Screw	4	
9432424BBS	15	Lever	2	
9432425BBS	16	Plate	2	
9432426BBS	17	Plate Assy	2	
9432043ABS01	18	Disc Assy	4	
G938710	19	Spring washer	6	
G578386M1028	20	Screw	4	
G88286B1268	21	Pin	2	
G617000M12	22	Nut	4	
G987788B507012F	23	Seal	2	



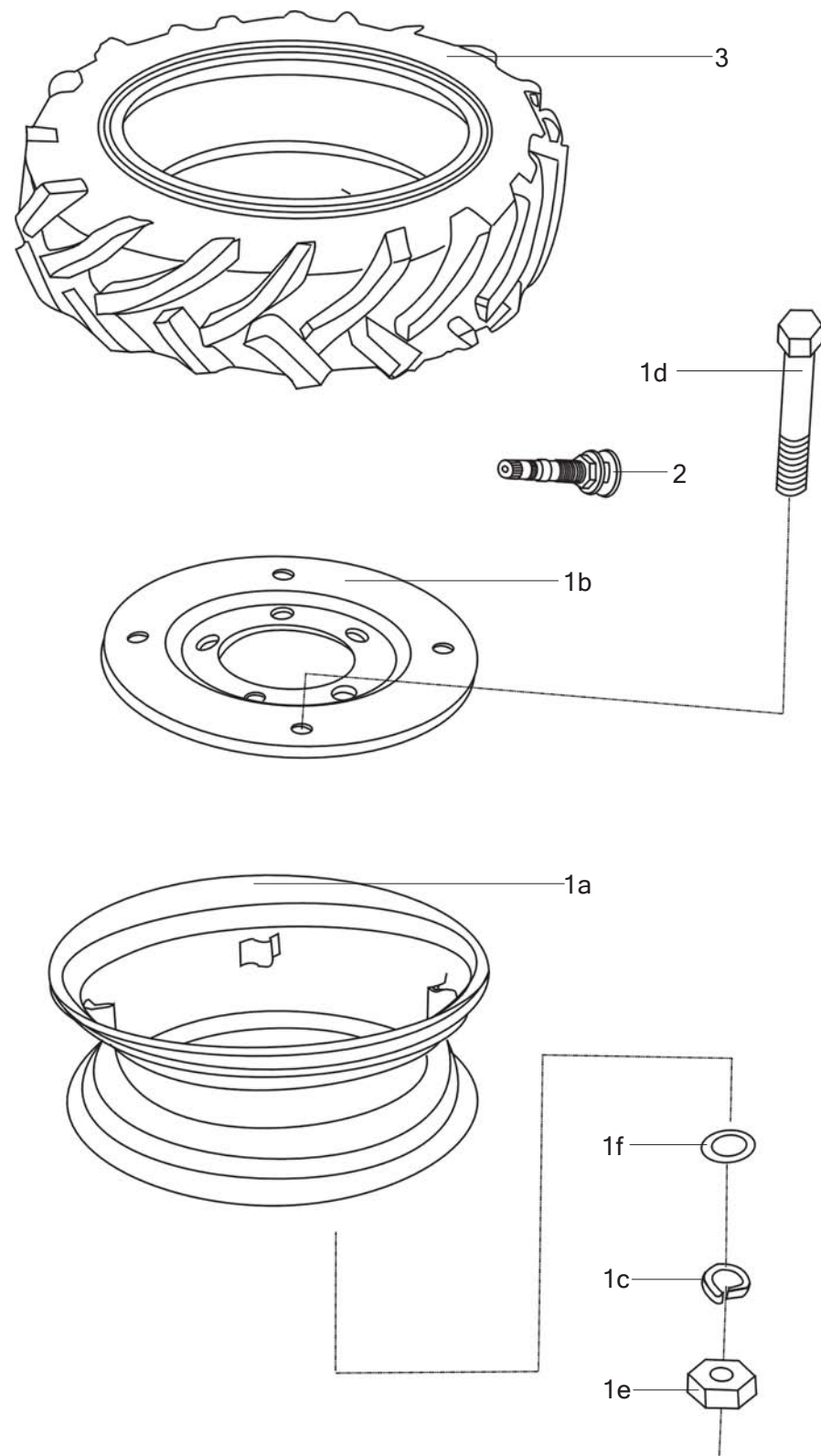
MUSA Part Number	Ref.	Description of Part	Unit Quantity	Remarks/ Service Bulletin No.
			ES25 4WD	
G3088978CN	24	Ball	6	
G91862520	25	Pin	4	
G88286B1235	26	Pin	4	
G959488M8	27	Nut	4	
G9186420	28	Pin	4	
G578386M1020	29	Screw	4	
G8938570	30	Circlip	2	
9432045BBS	31	Air pipe	1	

Brake Pedal and Solid Linkages



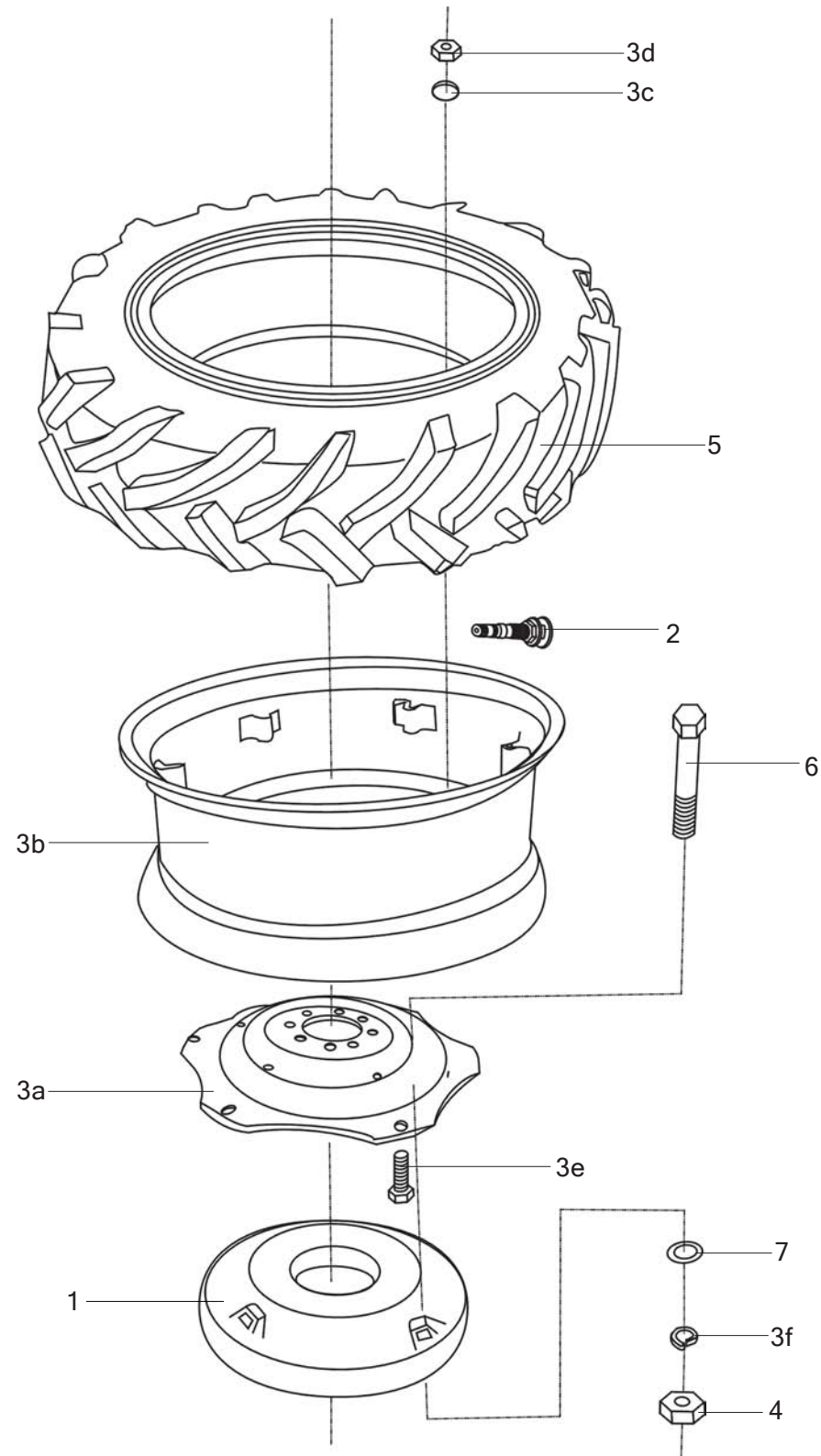
Brake Pedal and Solid Linkages

MUSA Part Number	Ref.	Description of Part	Unit Quantity	Remarks/ Service Bulletin No.
			ES25 4WD	
9430125BBB	1	Washer	6	
G87986845	2	Pin	4	
9431090BBA	3	Rocker	1	
9210107AAA	4	Spring	1	
9430101BBA	5	Transmission shaft	1	
9430030BBS02	6	Left step lever assembly	1	
9430040BBS02	7	Right step lever assembly	1	
9210110BBB	8	Rubber cover	2	
G91863230	9	Pin	6	
G978510	10	Washer	10	
G88286B1028	11	Pin	12	
G88286B1028	12	Brake transit draw lever assembly	2	
9432090BBS02	13	Brake transit arm CPTe	2	
G8948630	14	Circlip	1	
9432060BBS	15	Brake handspike assembly	2	
9433060BBS	16	Brake transit support assy	1	
G938712	17	Washer	3	
G578386M1245	18	Screw	3	
G8948624	19	Circlip	1	
G978524	20	Washer	1	
9433020BBS02	21	Right brake arm CPTe	1	
9432080BBS02	22	Right brake draw lever assembly	2	
9433040BBS01	23	Left brake arm CPTe	1	
G87986835	24	Pin	4	
9430104BBS01	25	Brake transit shaft	1	
9433030BBS02	26	Left brake driven arm CPTe	1	



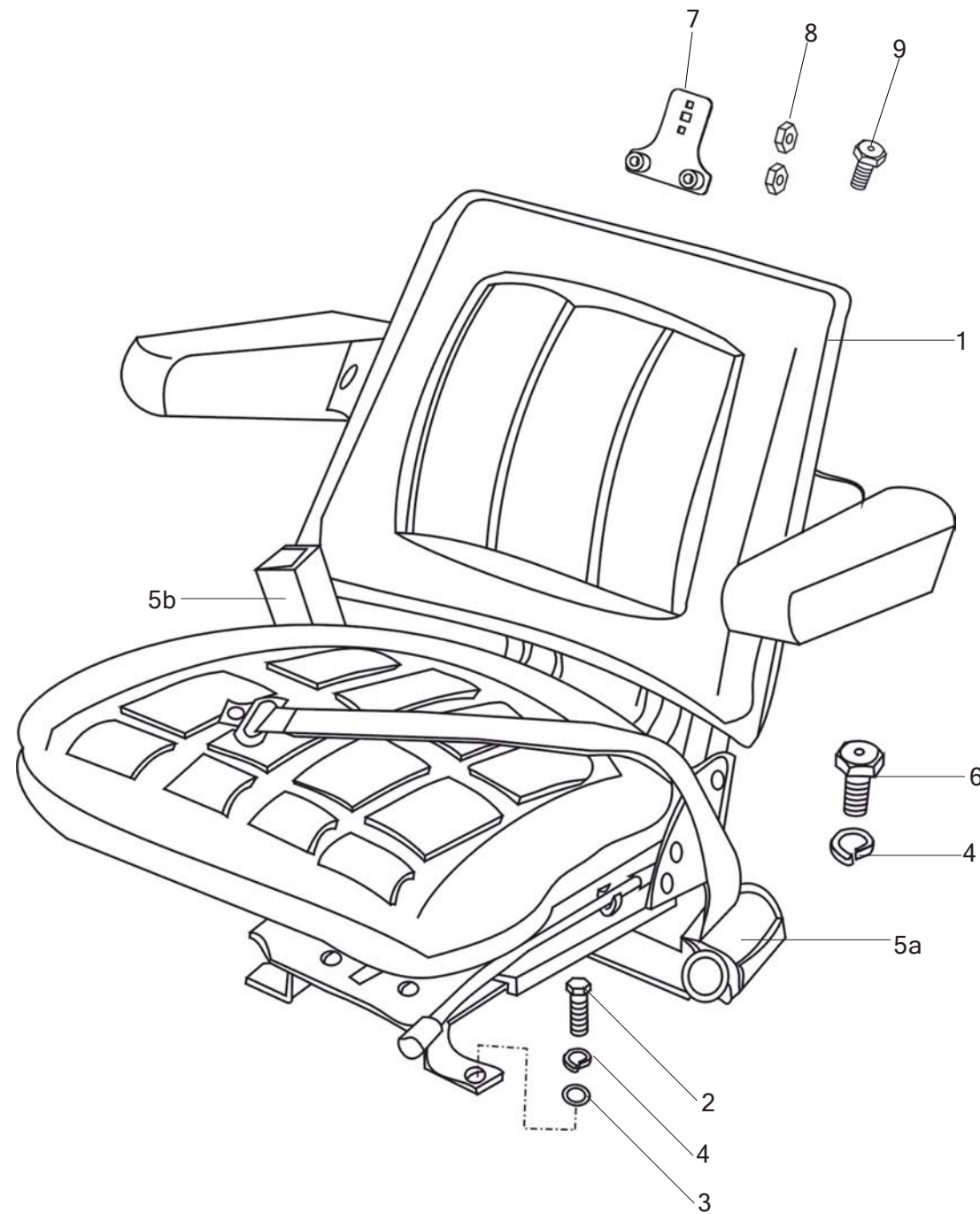
MUSA Part Number	Ref.	Description of Part	Unit Quantity	Remarks/ Service Bulletin No.
			ES25 4WD	
9320020BBB	1	Rim assembly Consists of:	2	
9320021BBB	1a	▶ Rim	2	
9320201BBB	1b	▶ Disk	2	
G938714	1c	▶ Washer	8	
G578586M141580	1d	▶ Bolt	8	
G617186M1415	1e	▶ Nut	8	
G978514	1f	▶ Washer	8	
9320101BBB	2	Tube Valve	2	
G2979912785015	3	Tyre	2	

Rear Wheels, Tires and weights

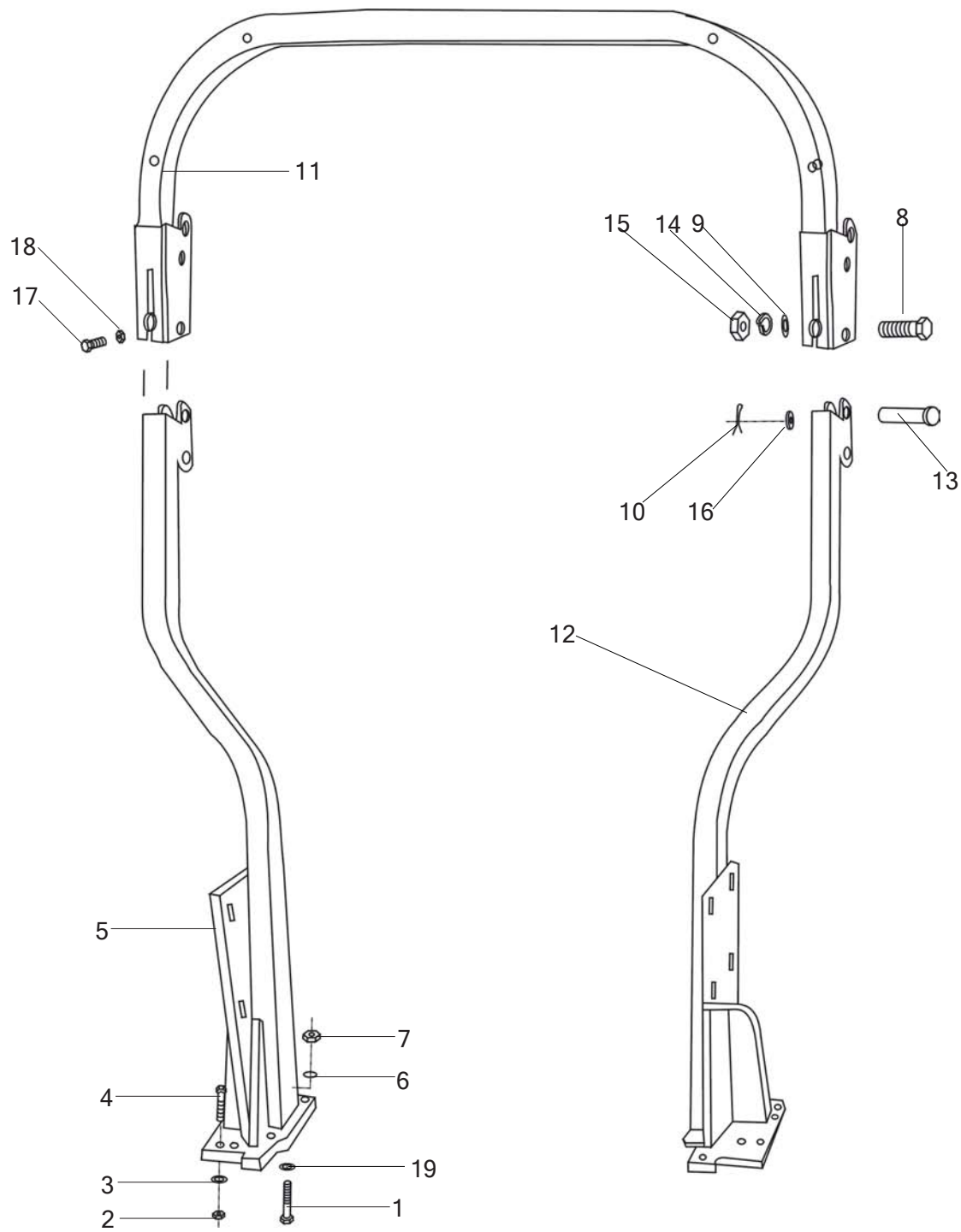


Rear Wheels, Tires and weights

MUSA Part Number	Ref.	Description of Part	Unit Quantity	Remarks/ Service Bulletin No.
			ES25 4WD	
9750101BBB	1	Rear Weights	2	
9340101BBB	2	Tube Valve	2	
9340020BBB	3	Rim Assy Consists of:	2	
9340201BBB	3a	→ Disc	2	
9340021BBB	3b	→ Rim	2	
G978516	3c	→ Washer	8	
G617186M1615	3d	→ Nut	8	
9340202BAD	3e	→ Screw	8	
G938716	3f	→ Washer	8	
G617088M16	4	Nut	8	
G2979911258018	5	Rear Tyre	2	
G578286M1660	6	Screw	8	
G978516	7	Washer	8	

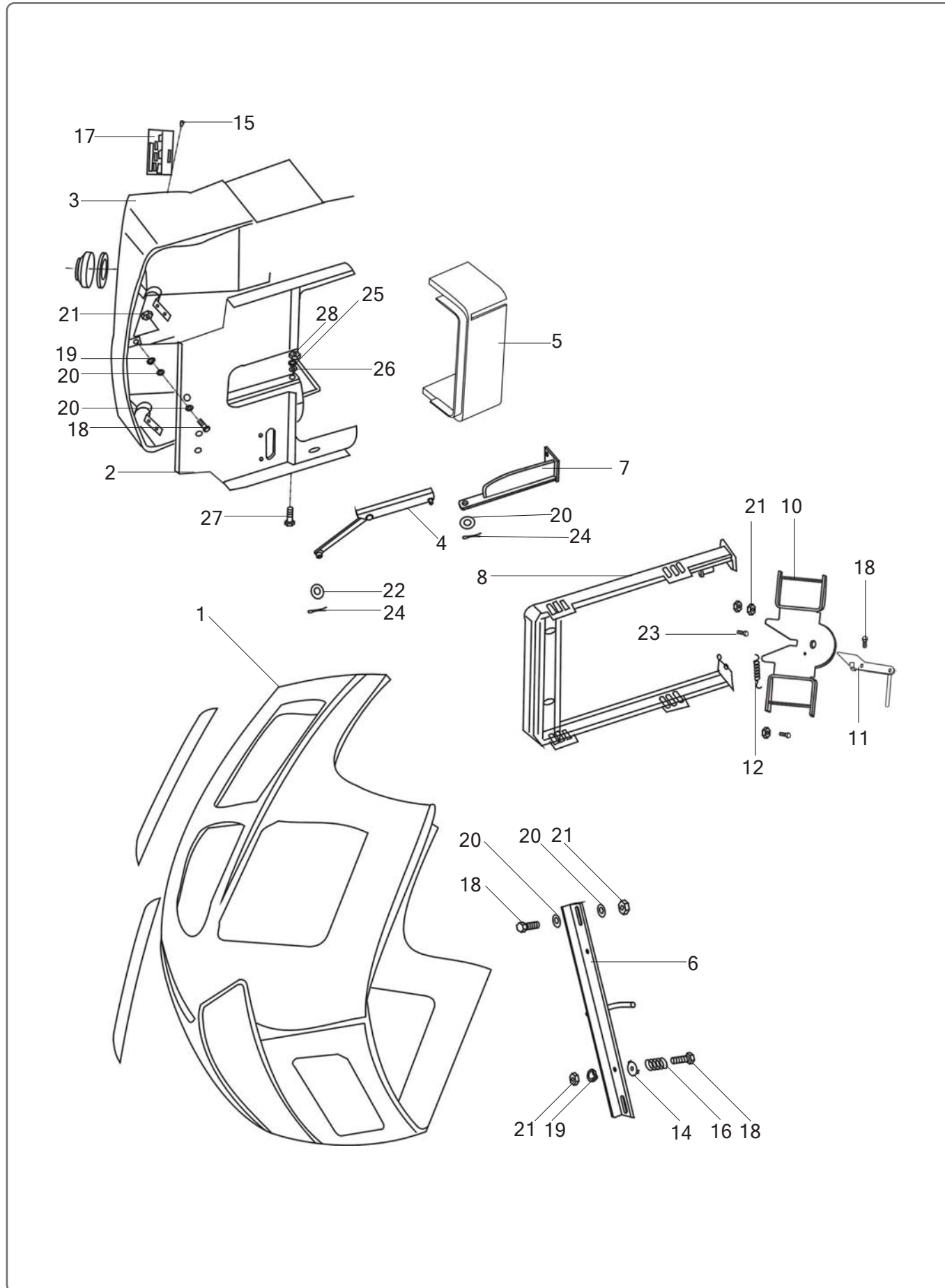


MUSA Part Number	Ref.	Description of Part	Unit Quantity	Remarks/ Service Bulletin No.
			ES25 4WD	
9440020BBA01	1	Seat	1	
G578386M1030	2	Bolt	2	
G978510	3	Washer	2	
G938710	4	Washer	3	
9440030BBA01	5	Safety Belt Assy Consists of:	1	
‡	5a	→ Safety Belt	1	
‡	5b	→ Buckle	1	
9440102BBB	6	Breathing screw	1	
9463122BBS01	7	SMV Bracket	1	
G578386M1255	8	Screw	2	
G938712	9	Nut	2	



MUSA Part Number	Ref.	Description of Part	Unit Quantity	Remarks/ Service Bulletin No.
			ES25 4WD	
G578286M16200	1	Bolt	8	
G617086M12	2	Nut	4	
G938712	3	Washer	4	
G578286M1260	4	Bolt	4	
9461020BBB	5	Safety Frame (R)	1	
G938716	6	Washer	8	
G617086M16	7	Nut	8	
G578286M24100	8	Bolt	2	
G978524	9	Washer	2	
9460102BBB	10	Pin	2	
9461040BBB	11	Top Safety Frame	1	
9461030BBB	12	Safety Frame (L)	1	
G88286B2275	13	Pin	2	
G938724	14	Washer	2	
G617086M24	15	Nut	2	
9460109BBB	16	Gasket	2	
G578386M1035	17	Bolt	2	
G617086M10	18	Nut	2	
G978516	19	Wash16	32	

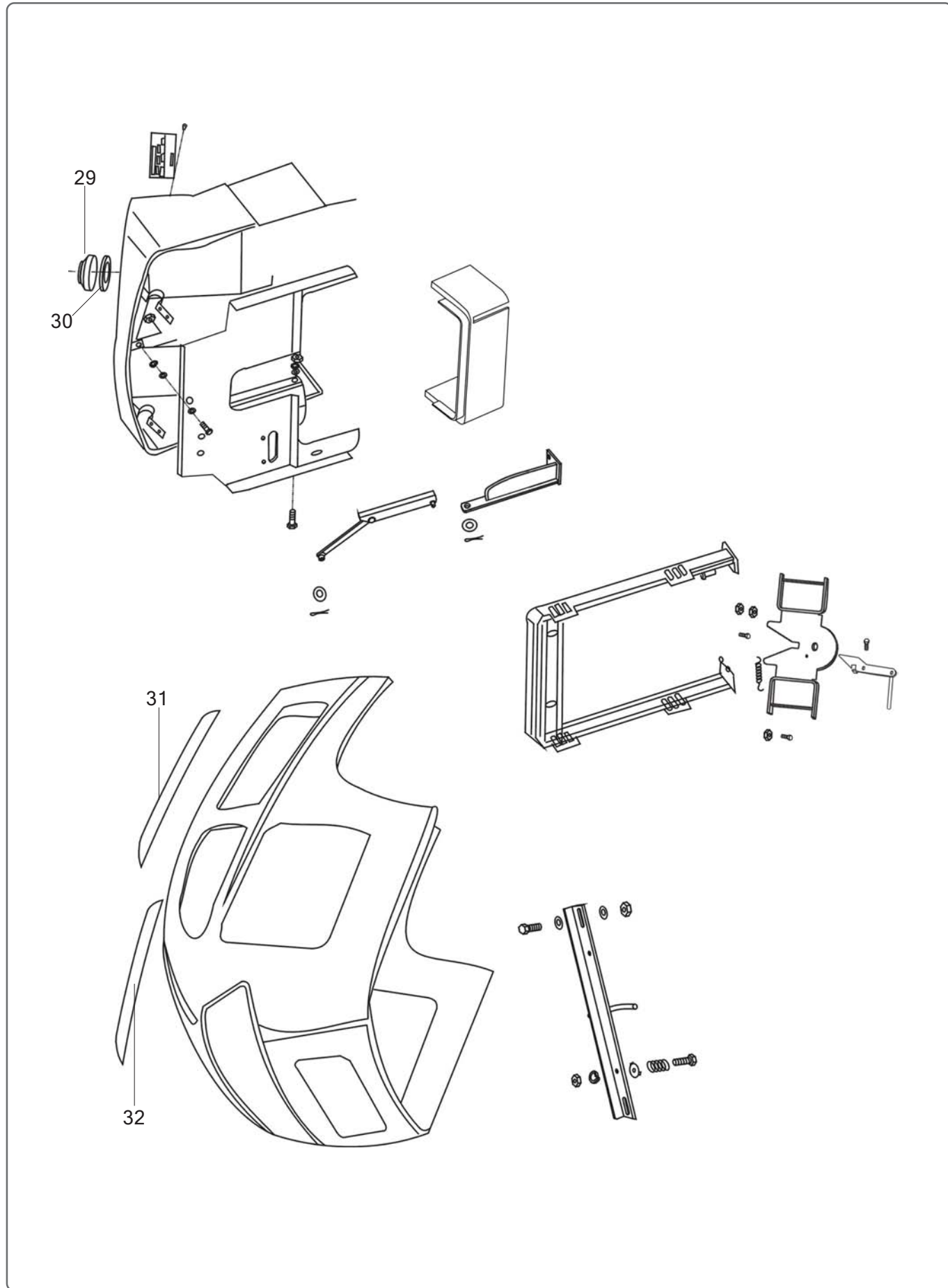
Hood and Instrument Panel



Hood and Instrument Panel

MUSA Part Number	Ref.	Description of Part	Unit Quantity	Remarks/ Service Bulletin No.
			ES25 4WD	
9471030BBS02	1	Hood	1	
9471040BBS01	2	Bracket	1	
9471070BBS01	3	Instrumental Panel	1	
9471050BBS	4	Brace Assy.	1	
9471128BBS02	5	Instrumental panel cover	1	
9471090BBS	6	Beam welded assembly	1	
9474020BBQ01	7	Bracket	1	
9471020BBB02	8	Fuel Tank Btacket	1	
9474030BBS	10	Fixup board CPTE	1	
9474040BBS	11	Hood lock	1	
9471111BBQ	12	Spring	1	
9471124AAJ	14	Lock	2	
G1261890329	15	Rivet	4	
9471126AAJ	16	Spring	2	
9500602BBS	17	Name Plate	1	
G578386M825	18	Bolt	14	
G93878	19	Washer	14	
G97858	20	Washer	12	
G617086M8	21	Nut	9	
G52878028	22	Washer	1	
G81885M512	23	Bolt	1	
G9186220	24	Pin	2	
G938710	25	Washer	4	
G978510	26	Washer	4	
G578386M1030	27	Bolt	4	
G617086M10	28	Nut	4	

Hood and Instrument Panel

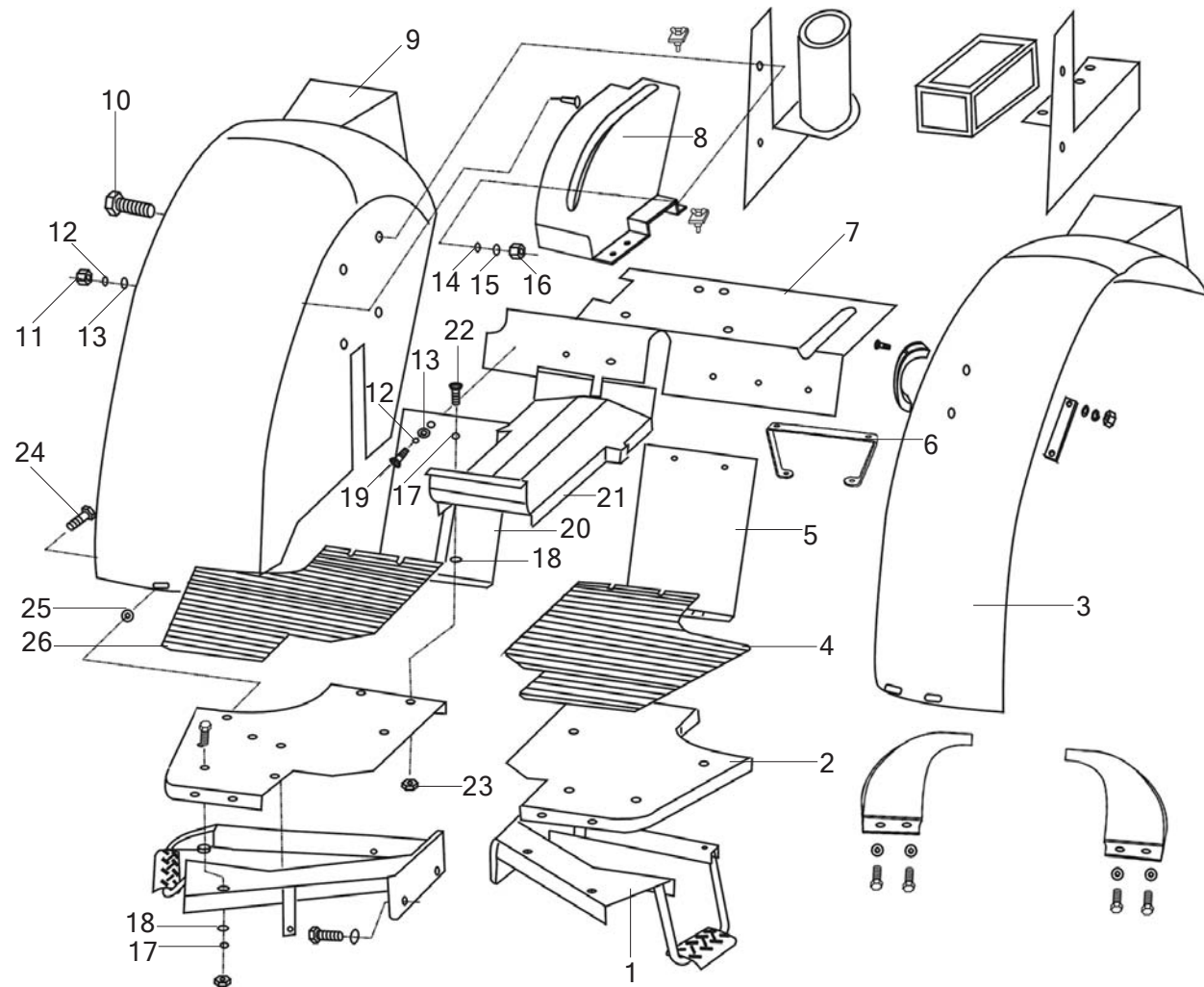


Hood and Instrument Panel

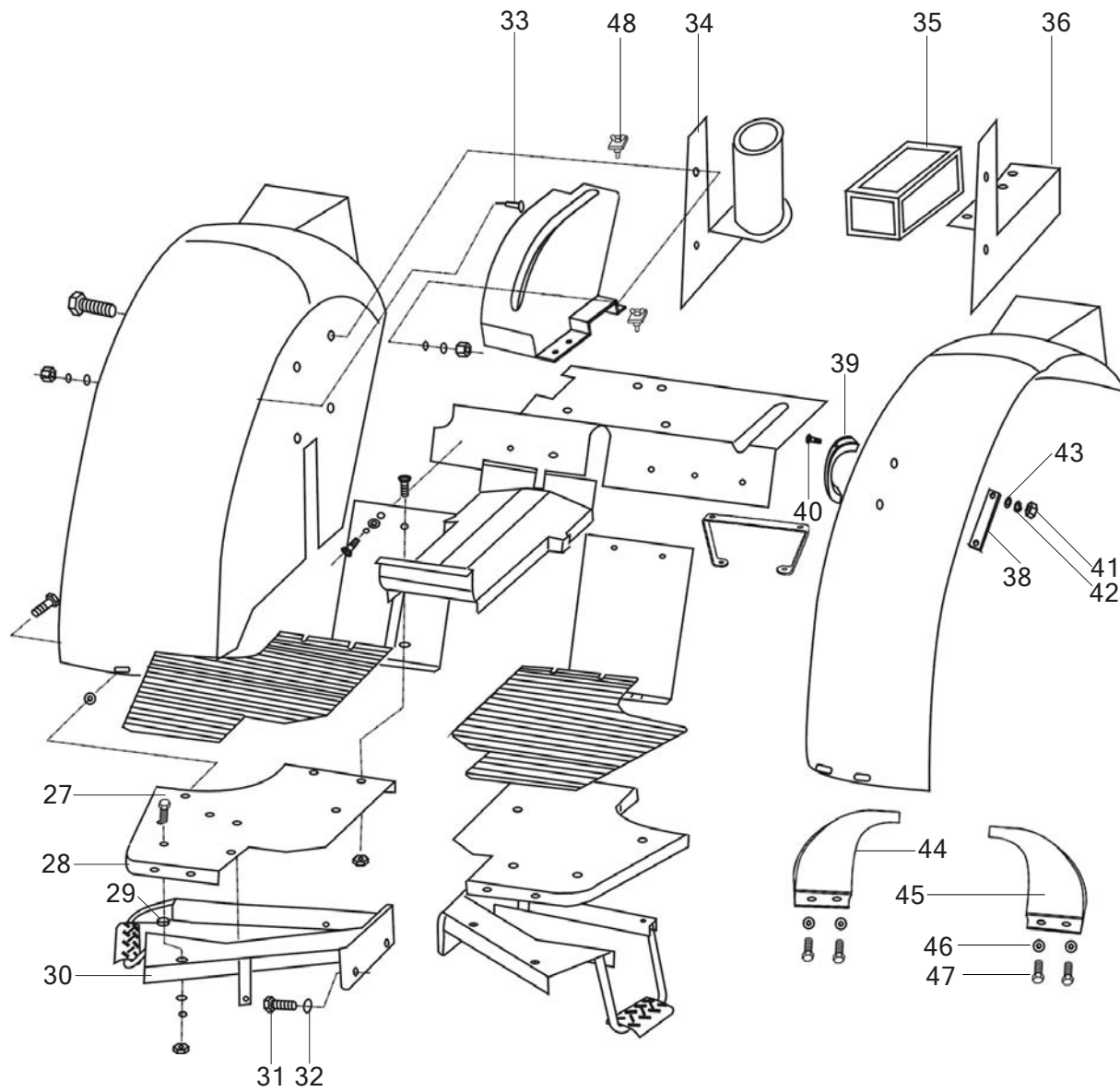
MUSA Part Number	Ref.	Description of Part	Unit Quantity	Remarks/ Service Bulletin No.
			ES25 4WD	
9500107AAA	29	Rubber Jacket	1	
9471121BBB01	30	Rubber Jacket	1	
9471101BBS	31	Decal(L)	1	
9471102BBS	32	Decal(R)	1	

Floor And Fenders

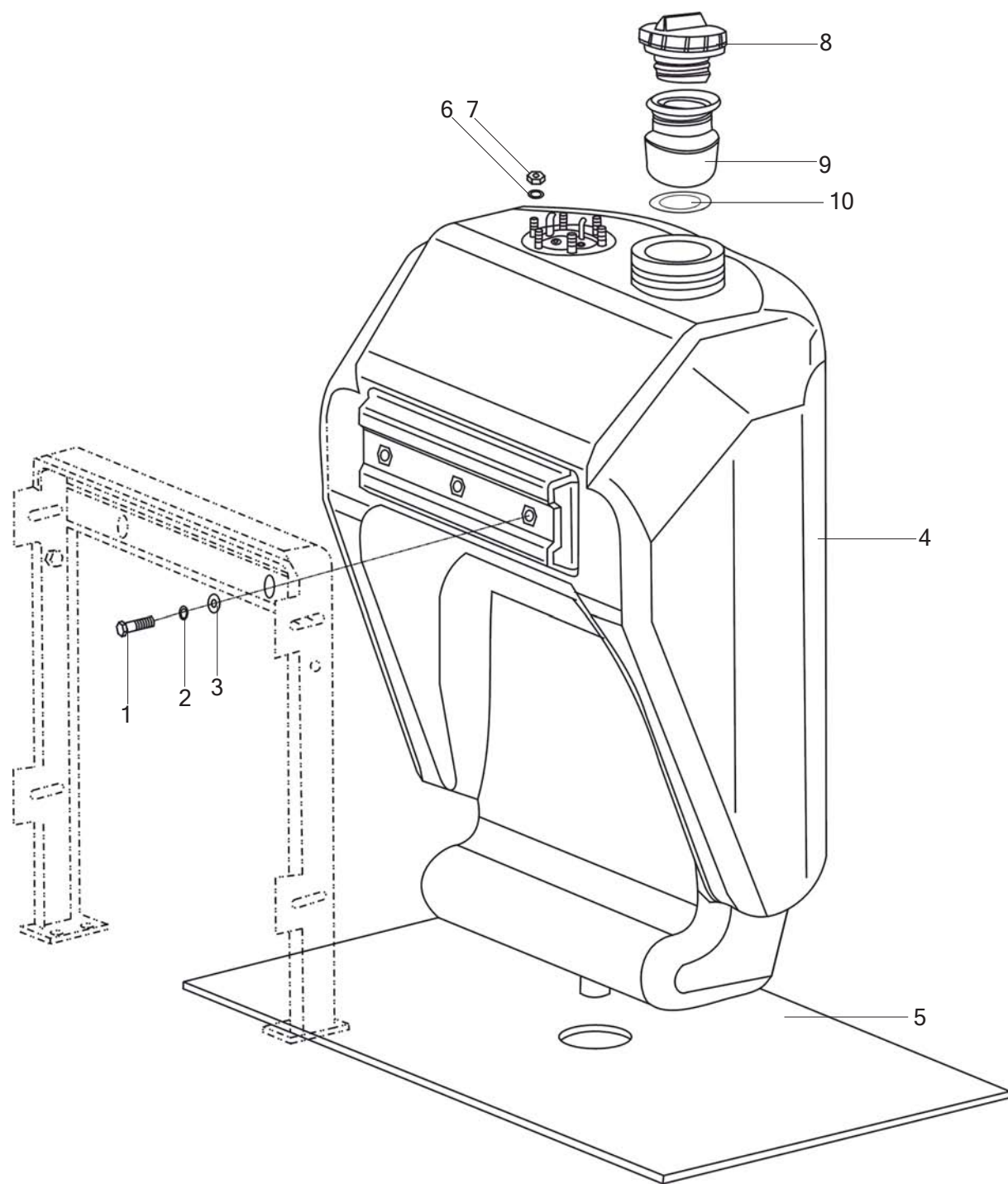
Floor And Fenders



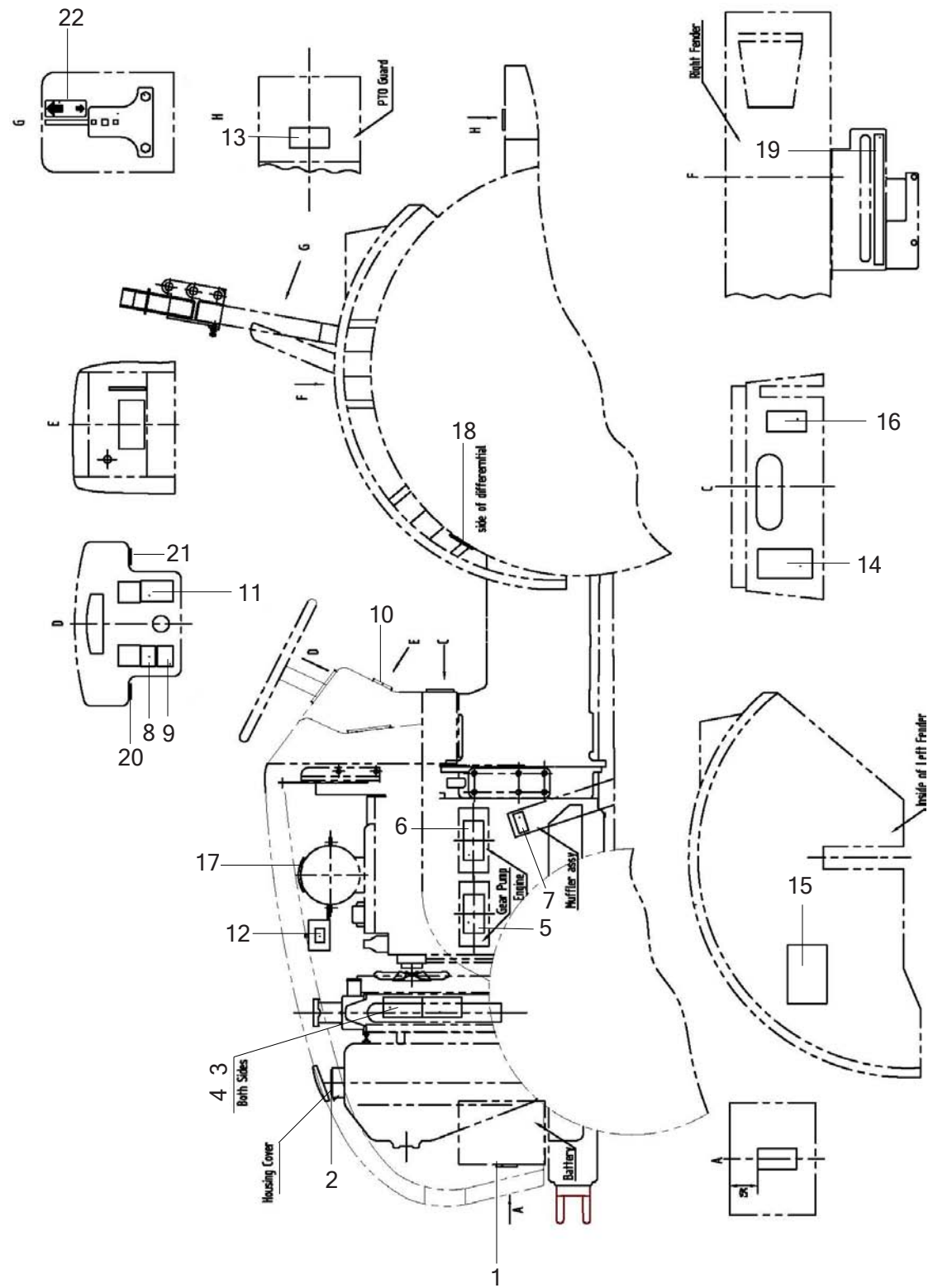
MUSA Part Number	Ref.	Description of Part	Unit Quantity	Remarks/ Service Bulletin No.
			ES25 4WD	
9472030BBB01	1	Floor support (L)	1	
9472050BBS	2	Floor	1	
9472102BBS	3	Fender (L)	1	
9472101BBB01	4	Rug (L)	1	
9472109BBB	5	Connecting Plate (L)	1	
9472070BBA	6	Back Floor Support	1	
9472060BBA	7	Back Floor Plate	1	
9472111BBS	8	Handleb Cover	1	
9472101BBS	9	Fender(R)	1	
G578286M1030	10	Bolt	8	
G617086M6	11	Nut	11	
G93876	12	Washer	9	
G97856	13	Washer	11	
G978510	14	Washer	8	
G938710	15	Washer	8	
G617086M10	16	Nut	8	
G93878	17	Washer	16	
G97858	18	Washer	16	
G81885M620	19	Bolt	10	
9472108BBS01	20	Connecting plate	1	
9472103BBB01	21	Cover	1	
G81885M820	22	Bolt	6	
G617086M8	23	Nut	10	
G578386M825	24	Bolt	4	
9472106BBA	25	Rubber washer	4	
9472102BBB01	26	Rug (R)	1	
9552050BBS	27	Fix plate assembly	2	



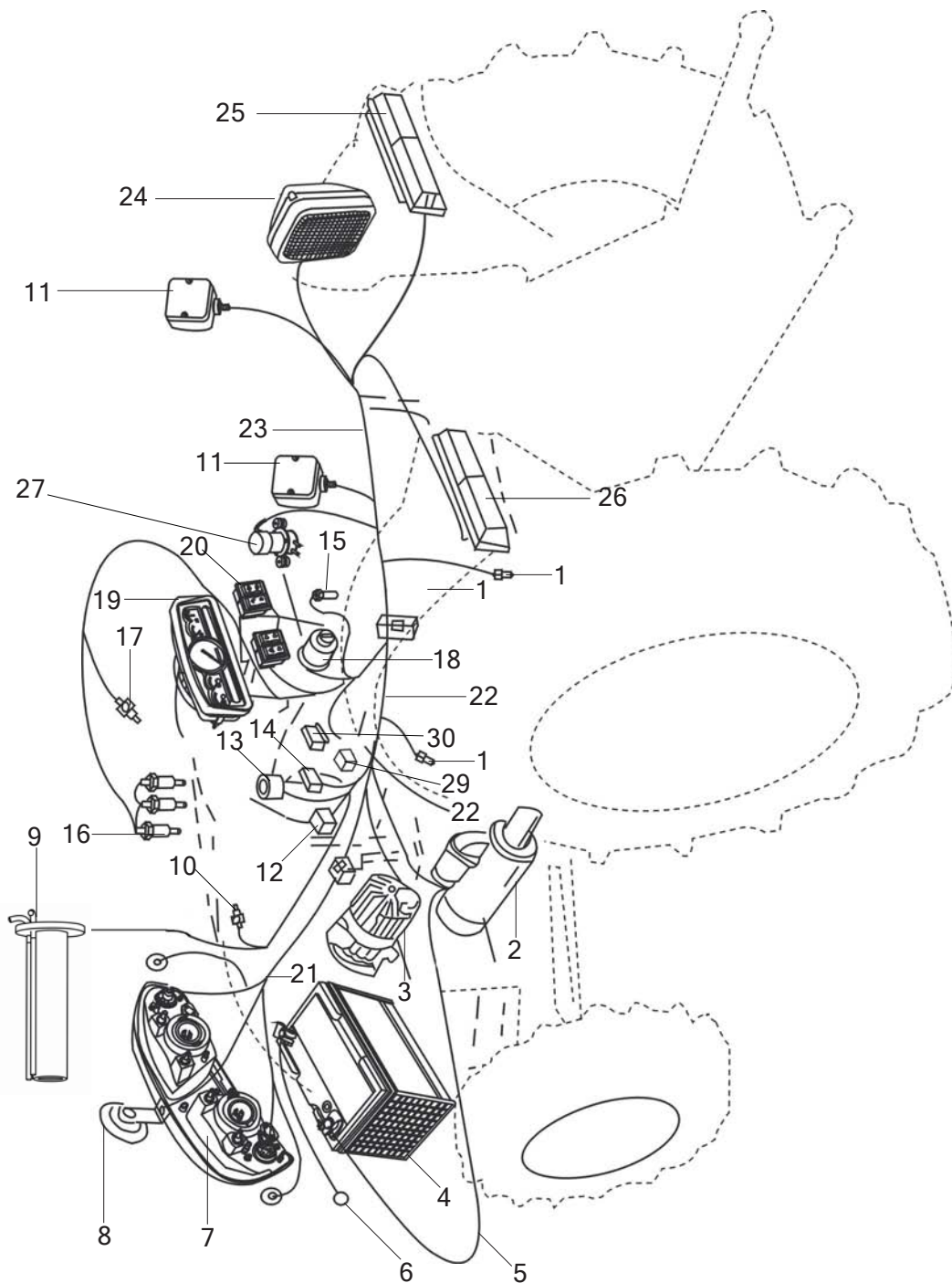
MUSA Part Number	Ref.	Description of Part	Unit Quantity	Remarks/ Service Bulletin No.
			ES25 4WD	
G1488M830	27	Bolt	8	
9472040BBS	28	Floor (R)	1	
9472103BBA	29	Damper	8	
9472020BBB01	30	Floor Support (R)	1	
G578386M1230	31	Bolt	4	
G938712	32	Washer	4	
G81885M630	33	Bolt	1	
9472090BBS	34	Support	1	
9473010BBB	35	Tool box	1	
9473101BBB	36	Support	1	
G96856	37	Washer	2	
9472104BBB	38	Cable plate	2	
9472109BBB	39	Cable	2	
G81885M530	40	Bolt	4	
G617086M5	41	Nut	4	
G93875	42	Washer	4	
G97855	43	Washer	4	
9472503BBB01	44	Heat shield (L)	1	
9472504BBB01	45	Heat shield (R)	1	
G93878	46	Washer	4	
G14M830	47	Bolt	4	
9552050BBS	48	Fix Plate	2	



MUSA Part Number	Ref.	Description of Part	Unit Quantity	Remarks/ Service Bulletin No.
			ES25 4WD	
G578386M1020	1	Bolt	2	
G938710	2	Washer	2	
G978510	3	Washer	2	
9500020BBA01	4	Fuel Tank	1	
9500101BBA02	5	Rubber Cushion	1	
G93875	6	Washer	6	
G617086M5	7	Nut	6	
9500040AAD01	8	Fuel tank cover	1	
9500040BBA	9	Connecting pipe assembly	1	
9500103BBS	10	Rubber washer	1	



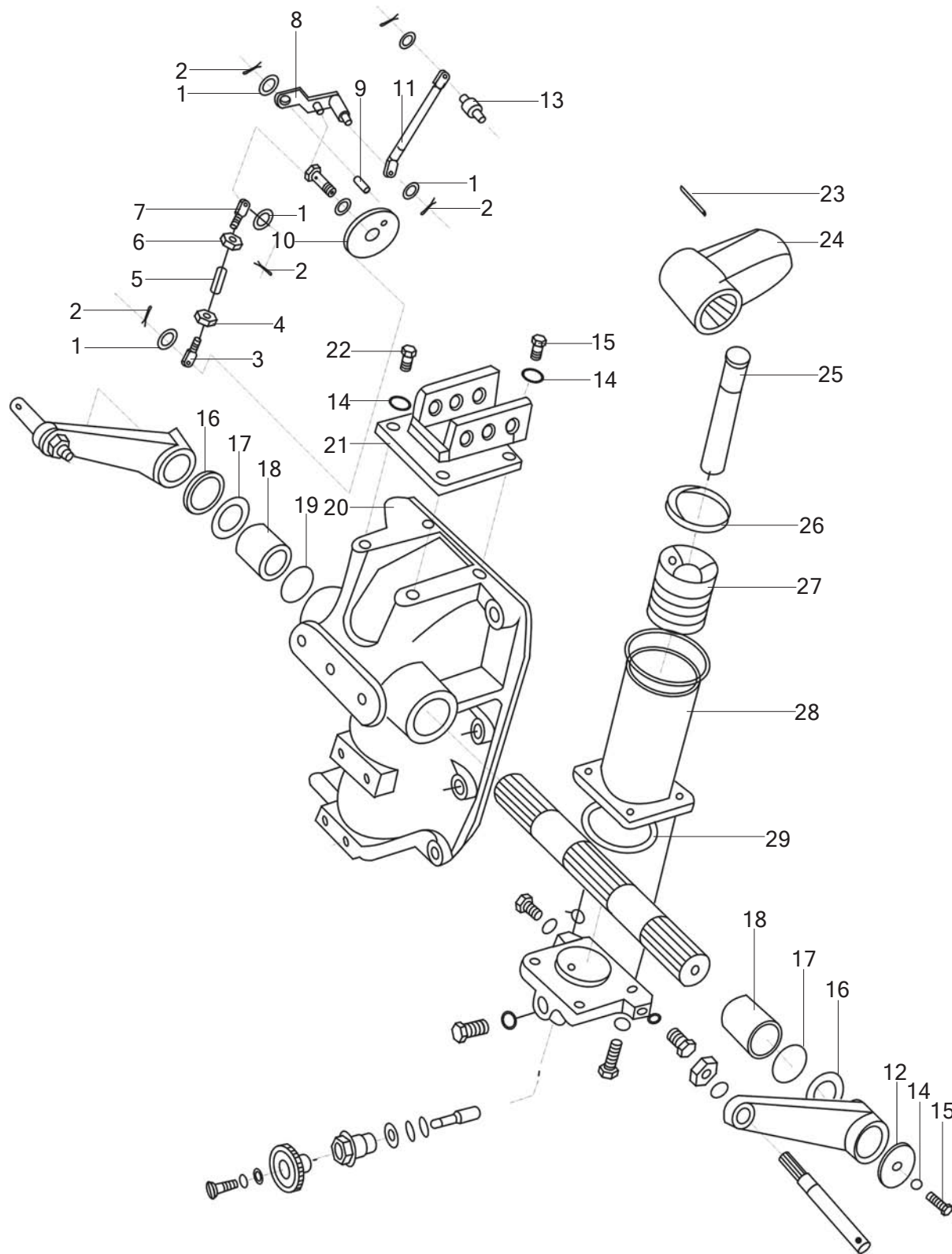
MUSA Part Number	Ref.	Description of Part	Unit Quantity	Remarks/ Service Bulletin No.
			ES25 4WD	
9463001BBS	*	Safety warning mark assembly	1	
9463109BBS	1	Warning mark nine	1	
9463115BBS01	2	Warning mark fifteen	1	
9463101BBS	3	Warning mark one	2	
9463102BBS	4	Warning mark two	2	
9463108BBS	5	Warning mark eight	1	
9463105BBS01	6	Warning mark five	1	
9463106BBS	7	Warning mark six	1	
9463103BBS	8	Warning mark three	1	
9463120BBS	9	Warning mark twenty	1	
9463107BBS	10	Warning mark seven	1	
9463113BBS	11	Warning mark thirteen	1	
9463104BBS	12	Warning mark four	1	
9463116BBS	13	Warning mark sixteen	1	
9463134BBS	14	Stick	1	
9463112BBS	15	Warning mark twelve	1	
9463133BBS	16	Hand brake stick	1	
9463117BBS	17	Warning mark seventeen	1	
9463111BBS	18	Warning mark eleven	1	
9463119BBS01	19	Warning mark nineteen	1	
9370157BBS	20	Decal II	1	
9370156BBS	21	Decal I	1	
9463121BBS	22	Warning mark twenty-one	1	



MUSA Part Number	Ref.	Description of Part	Unit Quantity	Remarks/ Service Bulletin No.
			ES25 4WD	
9480411BBS01	1	Neutral Switch	2	
3708100DAL	2	Starter	1	
3701100DAA01	3	Generator	1	
9480503AAA02	4	Battery	1	
9480054BBS	5	Cable-starter	1	
9480055BBS01	6	Cable-earth	1	
9480120BBS	7	Head Light	1	
9480601AAA	8	Horn	1	
9480090BBS	9	Fuel level Sensor	1	
9480106ABA	10	Water Temperature Sensor	1	
9480119BBS	11	Front Blinker	2	
9480414BBB	12	Fuse Box.	2	
9480404BBS	13	Flasher	1	
9480108AAA	14	Voltage Regulator	1	
9480113AAB	15	Brake Switch	1	
3770100DAA	16	Glow Plug	3	
9480107ABA	17	Oil Pressure Sensor	1	
9480408BBS	18	Starter Switch	1	
9480402BBS03	19	Combiners Instrument	1	
9480043BBS	20a	Switch I	1	
9480044BBS	20b	Switch II	1	
9480061BBS	21	Hood Cable	1	
9480021BBS02	22	Front Cable	1	
9480022BBS02	23	Back Cable	1	
9480103BBS	24	Rear work light	1	
9480117AAD	25	Lamp L	1	
9480117AAD	26	Lamp R	1	
9480122BBB	27	Electronic Pump	1	
9480138BBS	28	Start relay	2	
9480417BBS	29	Time relay	1	

Hydraulic Lift Cover

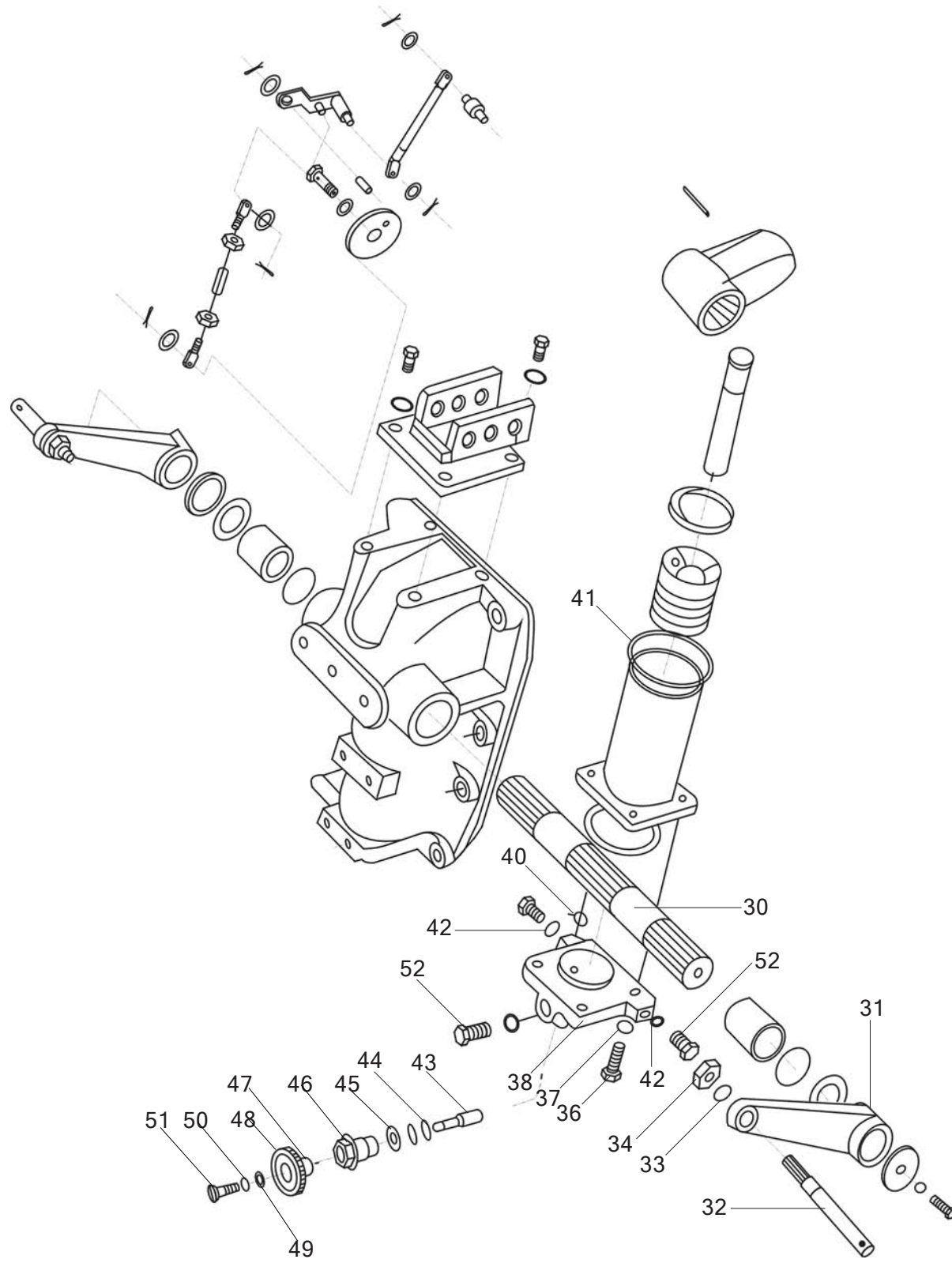
Hydraulic Lift Cover



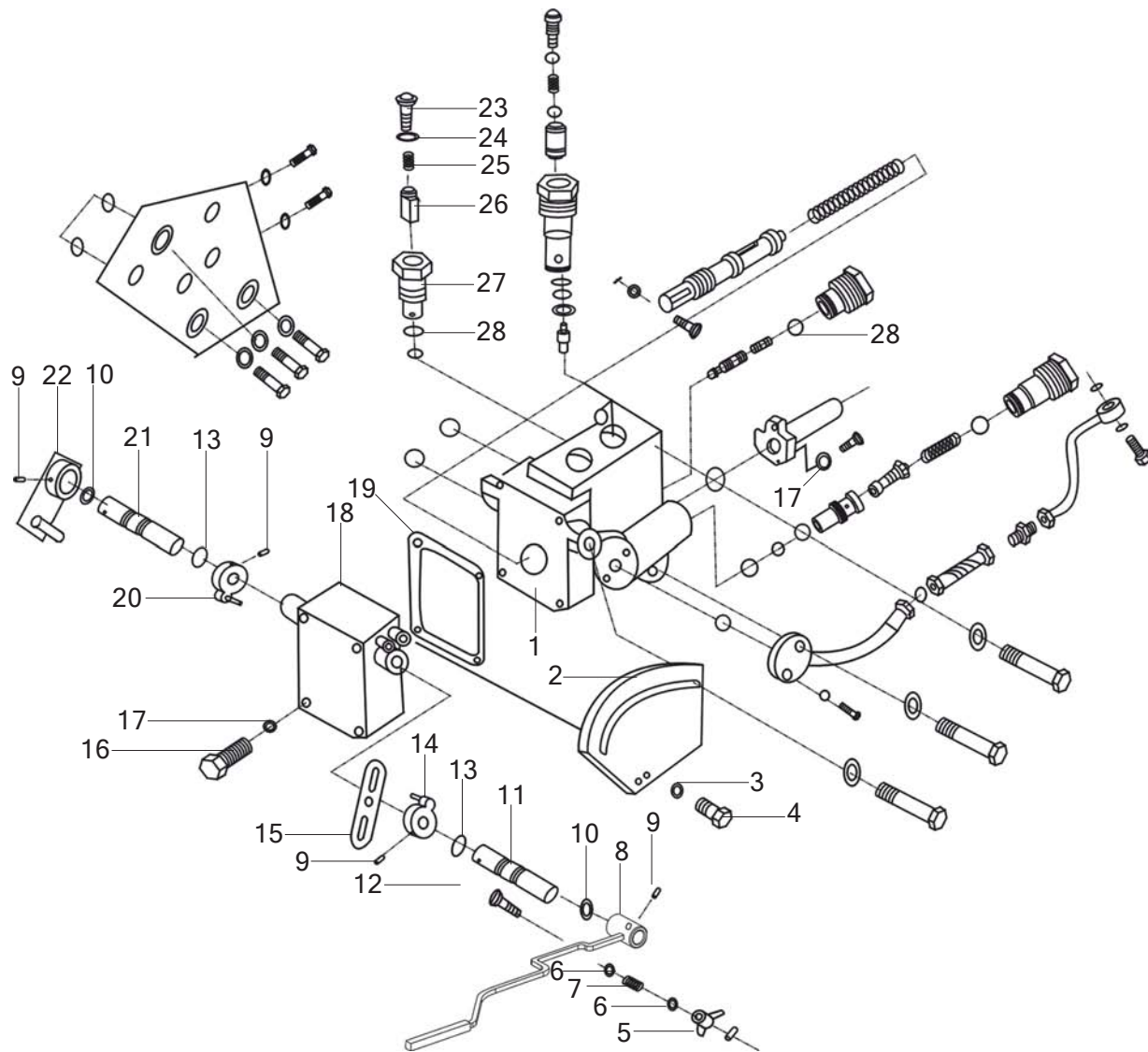
MUSA Part Number	Ref.	Description of Part	Unit Quantity	Remarks/ Service Bulletin No.
			ES25 4WD	
G97858	1	Washer	5	
G9186216	2	Pin	5	
9552402BBB	3	Adjuster(L)	1	
G617286M8L	4	Nut	1	
9552401BBB	5	Tube	1	
G617286M8	6	Nut	1	
9552403BBB	7	Adjuster(R)	1	
9552030BBB01	8	Arm	1	
G87986516	9	Pin	1	
9552020BBB	10	Plate	1	
9552105BBB01	11	Rod	1	
9550107AAA	12	Plate	1	
9552104BBS	13	Pin	1	
G938710	14	Washer	6	
G2176M102588	15	Screw	4	
9550104AAA	16	Sleeve	2	
G1235765057F	17	Seal	2	
9550103AAA	18	Bush	2	
9550102AAA	19	Spacer	2	
9550101BAA01	20	Cover	1	
9550080BBS	21	Bracket	1	
G2176M103088	22	Screw	2	
G87986650	23	Pin	1	
9550108AAA	24	Arm	1	
9550109AAA	25	Rod	1	
9550117BBA	26	Seal D75	1	
9551030BBB01	27	Piston	1	
9550090BAA	28	Cylinder	1	
G1235768031F	29	Seal	1	

Hydraulic Lift Cover

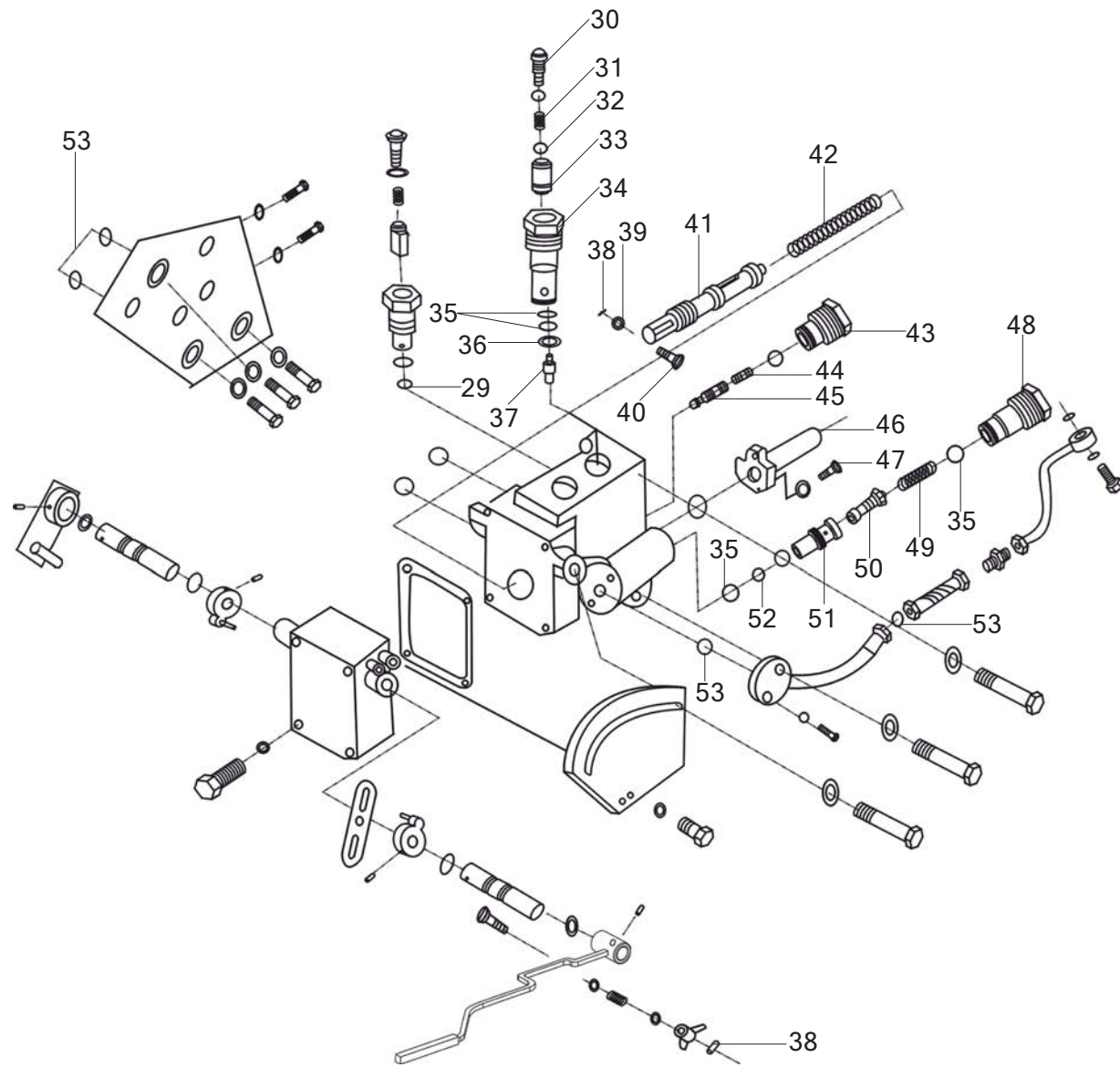
Hydraulic Lift Cover



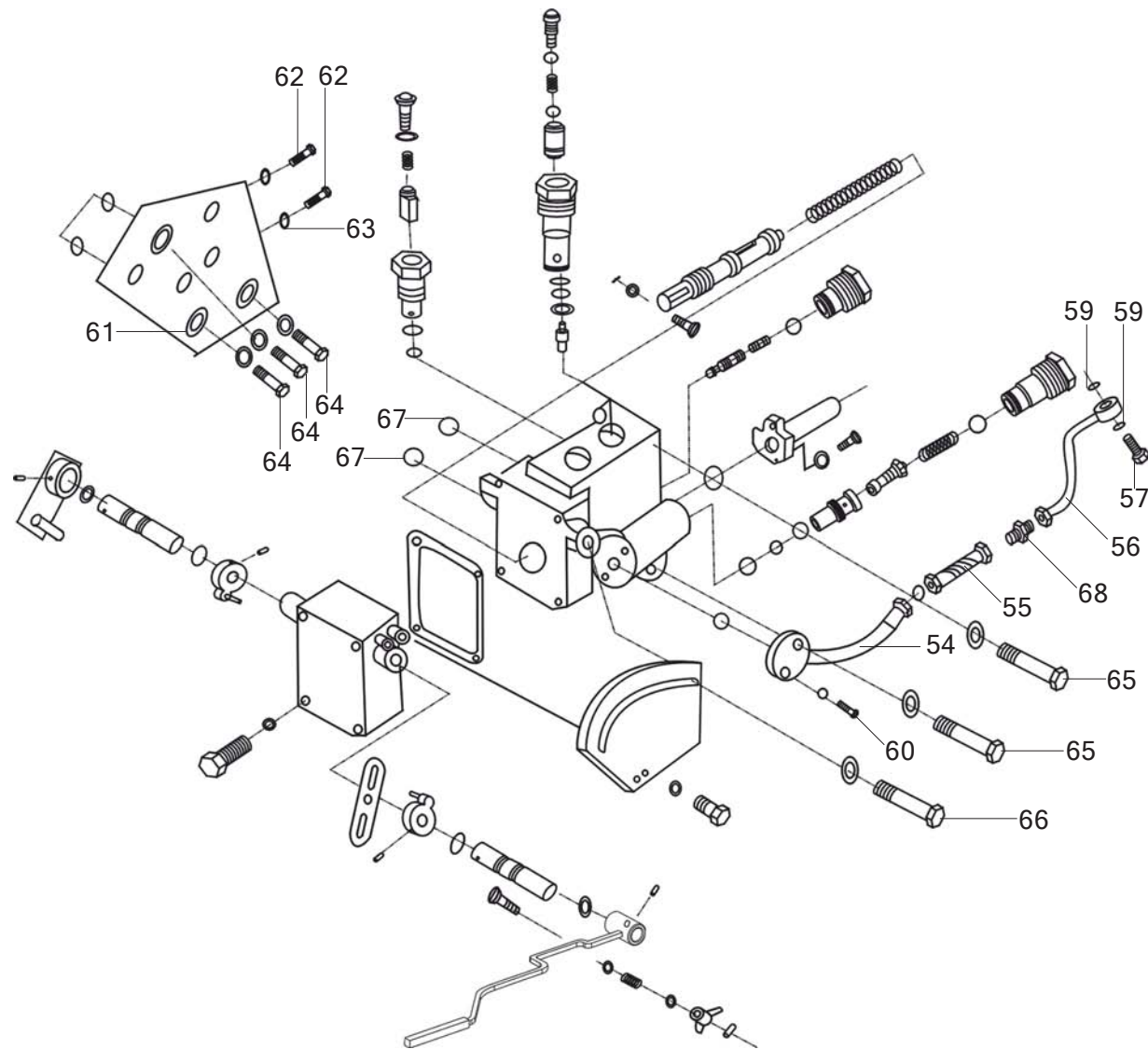
MUSA Part Number	Ref.	Description of Part	Unit Quantity	Remarks/ Service Bulletin No.
			ES25 4WD	
9550110BBB	30	Shaft	1	
9550106AAA	31	Arm	2	
9550105AAA	32	Pin	2	
G938716	33	Washer	2	
G617086M16	34	Nut	2	
G578386M1455	36	Screw	4	
G938714	37	Washer	4	
9550114BAA	38	Cover	1	
G1235761419F	40	Seal	2	
G1235769531F	41	Seal	1	
710010145	42	Washer	3	
9551201BBA	43	Valve	1	
G1235761019F	44	Seal	2	
J10027722	45	Washer	1	
9550112AAA	46	Nut	1	
9551022BBS	47	Handwheel	1	
9551202BBA	48	Mark	1	
G96854C	49	Washer	1	
G93874	50	Washer	1	
G6785M48	51	Screw	1	
9550113AAA	52	Screw	3	



MUSA Part Number	Ref.	Description of Part	Unit Quantity	Remarks/ Service Bulletin No.
			ES25 4WD	
T3057115	1	Body	1	
T3057016	2	Quadrant	1	
G8598710	3	Washer	2	
G578386M1016	4	Screw	2	
G6288M6	5	Nut	1	
G97858	6	Washer	2	
T33057123	7	Spring	1	
9570030BBS	8	Lever	1	
G87986524	9	Pin	4	
G895864	10	Ring	2	
T3057108	11	Shaft	1	
T3057124	12	Screw	1	
G34528295265	13	Seal	2	
T3057110	14	Arm	1	
T3057119	15	Lever	1	
T3057121	16	Screw	4	
G93876	17	Washer	7	
T3057117	18	Cover	1	
T3057118	19	Gasket	1	
T3057120	20	Arm	1	
T3057109	21	Shaft	1	
9570020BBB	22	Arm	1	
T3057145	23	Plug	1	
G3452821618	24	Seal	2	
T3057144	25	Spring	1	
T3057142	26	Valve	1	
T3057143	27	Seat	1	
G34528221265	28	Seal	2	



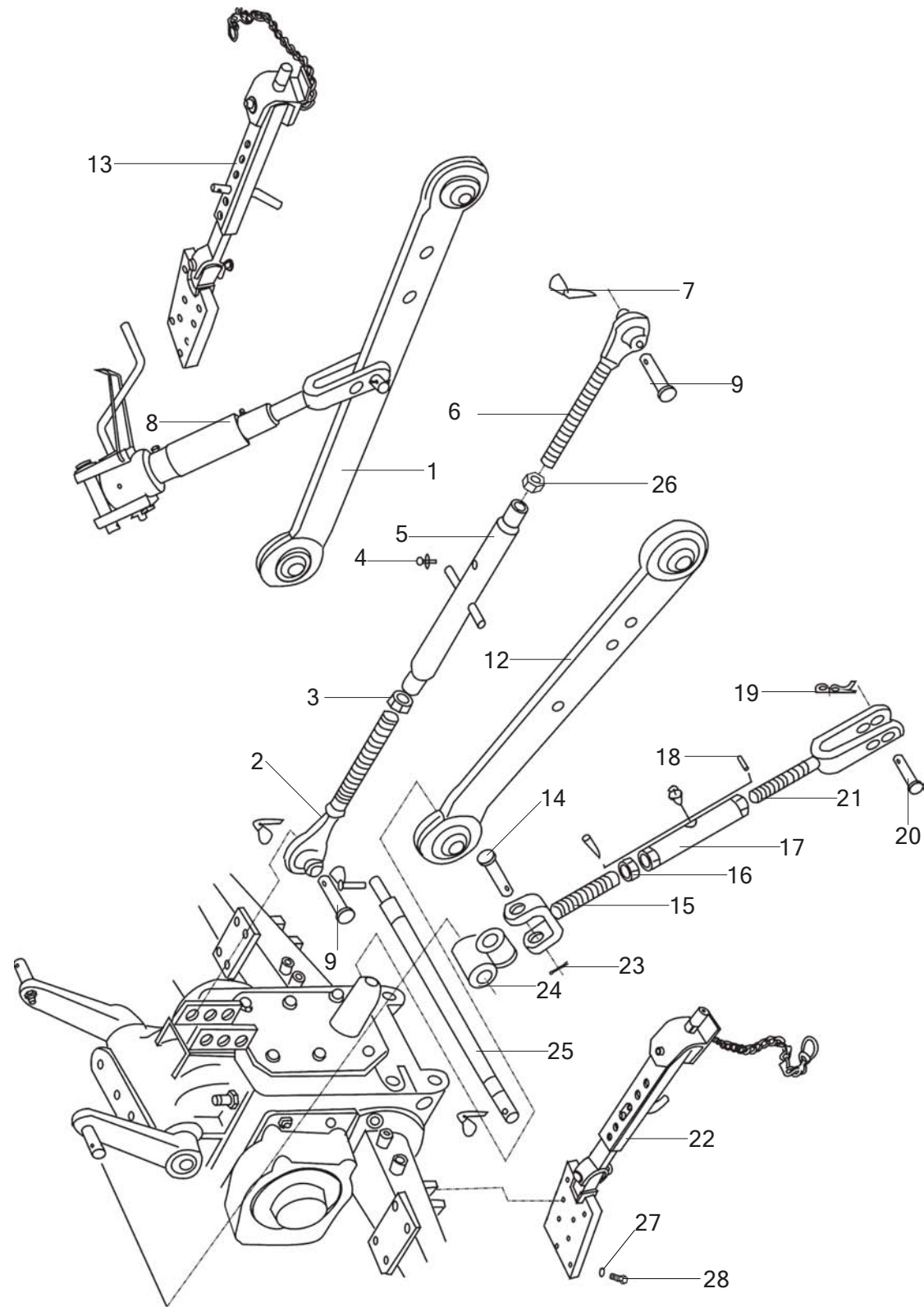
MUSA Part Number	Ref.	Description of Part	Unit Quantity	Remarks/ Service Bulletin No.
			ES25 4WD	
G34528215265	29	Seal	1	
T3057137	30	Plug	1	
T3057140	31	Spring	1	
G308895	32	Ball	1	
T3057139	33	Valve	1	
T3057138	34	Sleeve	1	
G34528219265	35	Seal	5	
T3057159161	36	Shims	A.R.	
T3057114	37	Pin	1	
G9186212	38	Pin	2	
G97856	39	Washer	1	
T3057125	40	Pin	1	
T3057122	41	Spool	1	
T3057112	42	Spring	1	
T3057102	43	Plug	1	
T3057103	44	Spring	1	
T3057104	45	Valve	1	
T3057113	46	Cover	1	
G6585M616	47	Screw	3	
T3057105	48	Seat	1	
T3057106	49	Spring	1	
T3057107	50	Valve	1	
T3057127	51	Seat	1	
T3057128	52	Plug	1	
G1235761624F	53	Seal	4	



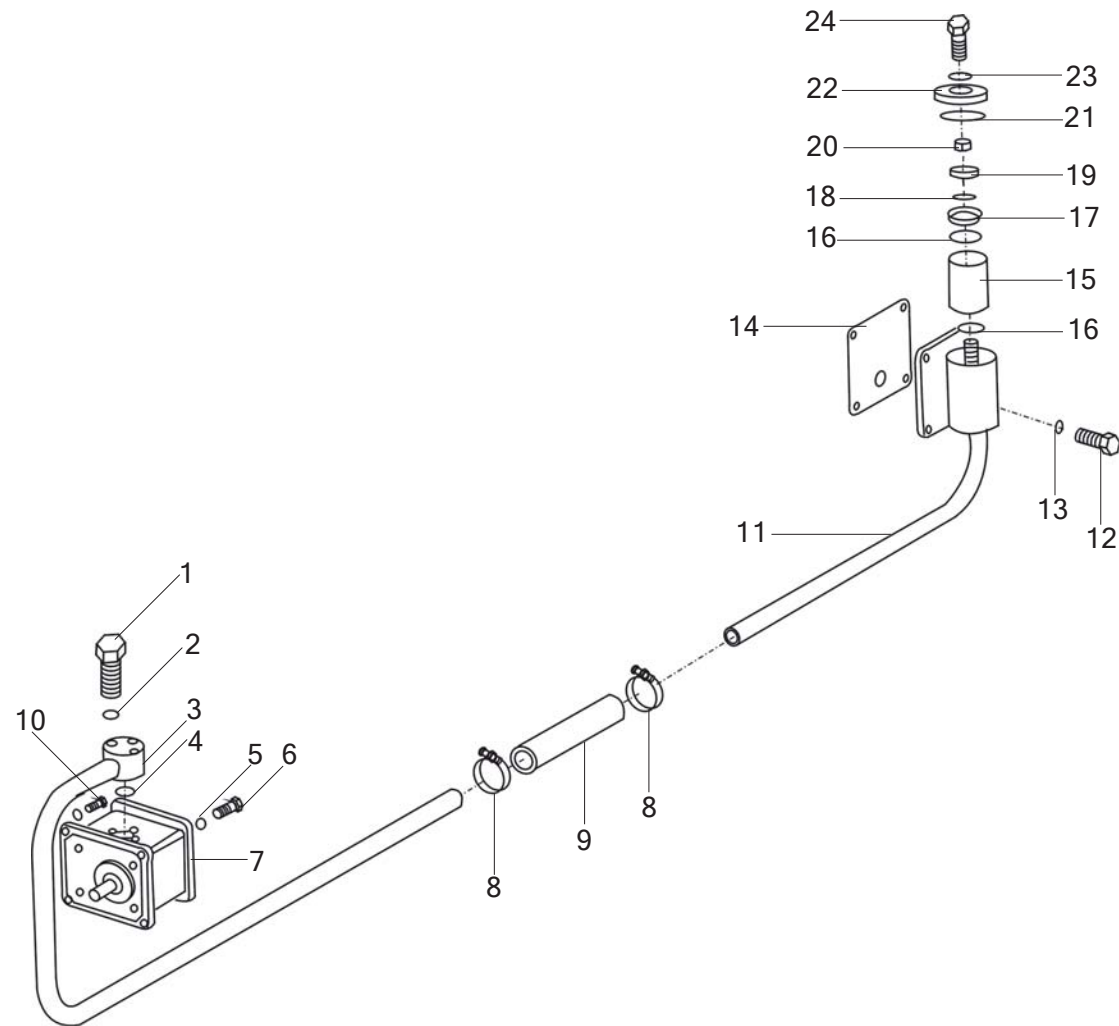
MUSA Part Number	Ref.	Description of Part	Unit Quantity	Remarks/ Service Bulletin No.
			ES25 4WD	
9550033BBS	54	Pipe	1	
9550032BBB	55	Pipe	1	
9550031BBS	56	Pipe	1	
9550307BBD	57	Screw	1	
G93878	58	Washer	8	
J9827720	59	Washer	2	
G578386M840	60	Screw	2	
9552101BBB	61	Spacer	1	
9550113AAA	62	Plug	2	
710010145	63	Washr	2	
G7085M835	64	Screw	3	
9552102BBB	65	Screw	2	
9552103BBB	66	Screw	1	
G345282118265F	67	Seal	2	
9550308BBB	68	Joint	1	

Three Point Linkage

Three Point Linkage



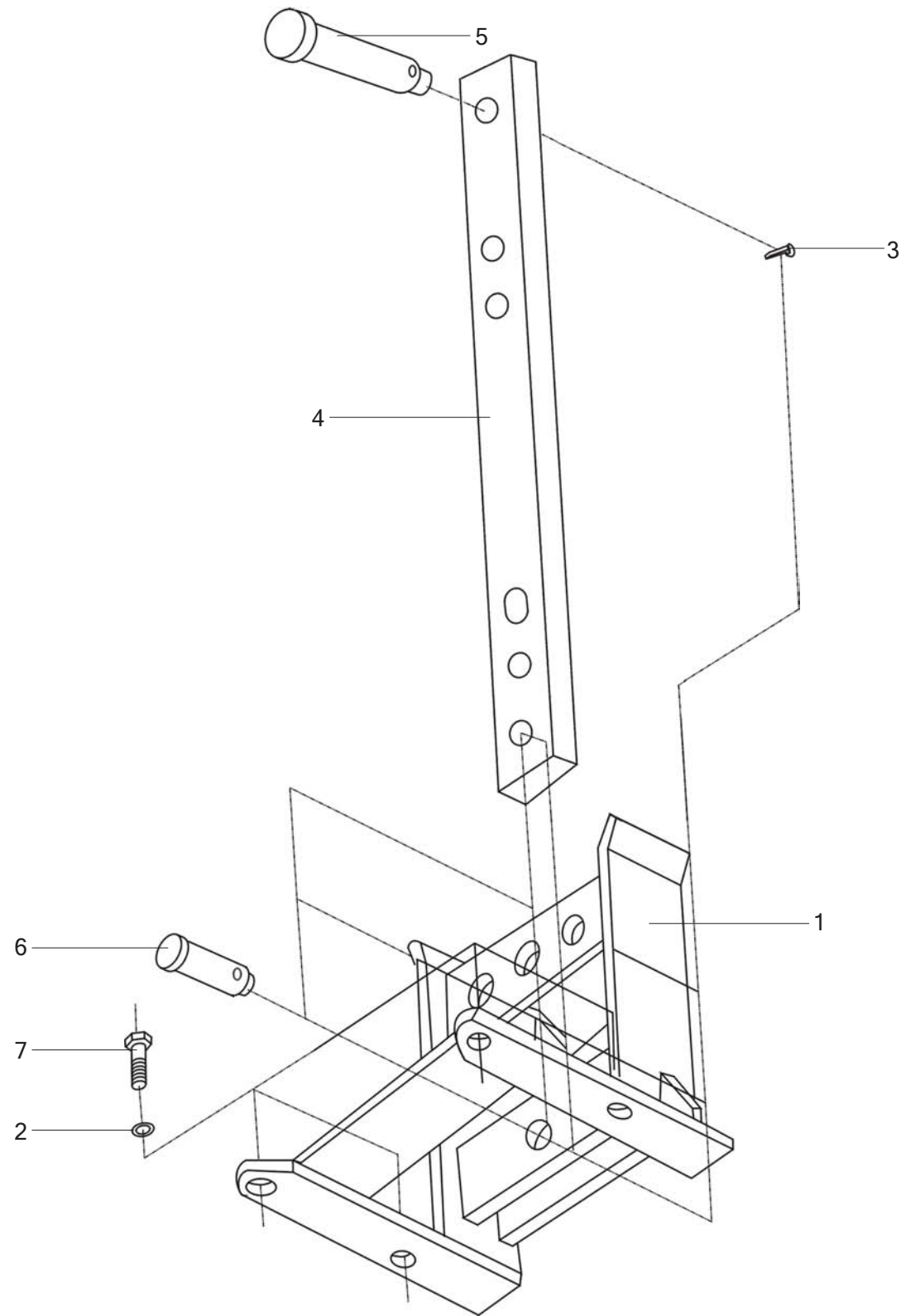
MUSA Part Number	Ref.	Description of Part	Unit Quantity	Remarks/ Service Bulletin No.
			ES25 4WD	
9560040BAA	1	Link	1	
9560021BBA	2	Toggle	1	
G617286M22	3	Nut	1	
G115289M6	4	Nipple	5	
9560022BBA	5	Tube	1	
9560023BBA	6	Toggle	1	
9350030AAA	7	Pin	8	
9561030BBB01	8	Right Lift Rod Assy	1	
9560102AAA	9	Pin	2	
G938716	10	Washer	2	
G617086M16	11	Nut	2	
9560060BAA	12	Link	1	
9560070BBS	13	Bilateral Chain(R)	1	
G88286B1675	14	Pin	1	
9560031BBA	15	Yoke	1	
G617286M20	16	Nut	1	
9560032BBA	17	Tube	1	
G87986320	18	Pin	2	
9560105AAA01	19	Pin	2	
G88286B1645	20	Pin	2	
9560033BBA	21	Fork	1	
9560050BBS	22	Bilateral Chain(L)	1	
G9186430	23	Pin	1	
9560101AAA	24	Knuckle	2	
9560104AAA	25	Shaft	1	
G617286M22L	26	Nut	1	
G938712	27	Washer	8	
G578386M1235	28	Nut	8	



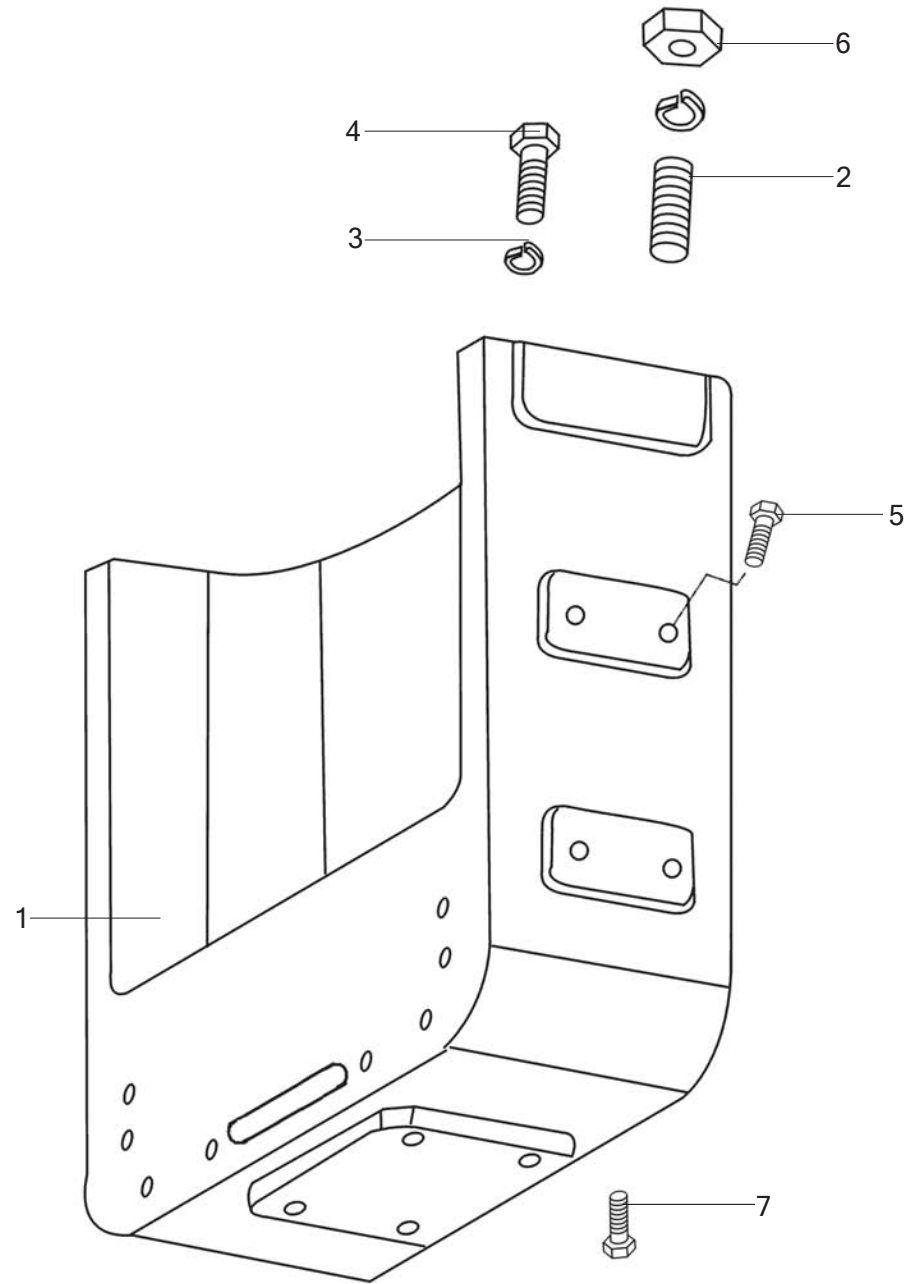
MUSA Part Number	Ref.	Description of Part	Unit Quantity	Remarks/ Service Bulletin No.
			ES25 4WD	
G578286M845	1	Screw	3	
G93878	2	Washer	7	
9580020BBS	3	Pipe	1	
G1235762224F	4	Seal	1	
G93878	5	Washer	4	
G578286M835	6	Screw	2	
9580050BBS	7	Pump	1	
HGO92751	8	Clip	2	
H454867862535180	9	Pipe	1	
G578286M850	10	Screw	2	
9580031BBB	11	Filter	1	
G578386M1025	12	Screw	4	
G938710	13	Washer	4	
9380108AAA	14	Washer	1	
9540052BBS	15	Element	1	
G1235764035	16	Seal	2	
9580318BAB	17	Cover	1	
9580319BAB	18	Seal	1	
9580322BAB	19	Seat	1	
G617186M101	20	Nut	1	
9580317BAB	21	Seal	1	
9580323BAB	22	Cover	1	
9580321BAB	23	Washer	1	
9580320BAB	24	Screw	1	

Swinging Drawbar

Swinging Drawbar



MUSA Part Number	Ref.	Description of Part	Unit Quantity	Remarks/ Service Bulletin No.
			ES25 4WD	
9350020ABA	1	Frame	1	
G938716	2	Washer	4	
9350030AAA	3	Linchpin	4	
9350102BBS02	4	Bar	1	
9350401BBB	5	Pin	1	
9350101ABA	6	Pin	3	
G578386M1640	7	Bolt	4	



MUSA Part Number	Ref.	Description of Part	Unit Quantity	Remarks/ Service Bulletin No.
			ES25 4WD	
9740101BBS	1	Weight	1	
G89888AM163088	2	Stud	2	
G938716	3	Washer	4	
G578386M1640	4	Screw	2	
9470103BBS	5	Plug	2	
G617086M16	6	Nut	2	
1023015DAH	7	Rubber plug	4	

Numerical Index

PART NUMBER	PAGE	PART NUMBER	PAGE	PART NUMBER	PAGE
71000810	13	1002405DAA	21	1004014CAA	31
71000850	17	1002406DAA	21	1004015CAA	31
71001020	85	1002407DAA	21	1004016CAA	31
71001085	19	1002408DAA	21	1004018DAA	31
710010145	19	1002409DAA	21	1004050CAA	31
710010145	147	1002450DAA01	21	1004061DAB	31
710010145	153	1002460DAA01	21	1004100DAA	31
710011102	93	1003011DAA	11	1004101DAA	31
710011142	63	1003012DAA	11	1004102DAA	31
1002011DAA	21	1003013DAA	11	1004103DAA	31
1002012DAA	21	1003014DAA	17	1004104DAA	31
1002013DAA	19	1003015DAA	13	1004105DAA	31
1002014DAA	19	1003017DAA	11	1005011DAA	29
1002015DAA	19	1003018CAA	11	1005012DAA	29
1002016DAA	19	1003022DAA	11	1005013DAA	29
1002019DAA	19	1003023DAA	15	1005014DAA	29
1002021DAA	21	1003060DAA	11	1005015DAA	29
1002022DAA	17	1003100DAA	11	1005017DAA	29
1002023DAA	17	1003101DAA	11	1005018DAA	29
1002024DAA	17	1003102DAA	11	1005061DAH	29
1002050DAA01	19	1003103DAA	11	1005062DAA	29
1002060DAA	11	1003104DAA	11	1006011DAA02	27
1002070DAA01	17	1003106DAA	11	1006012DAA	27
1002080CAA	19	1003112DAA	11	1006013DAA	27
1002100DAA	17	1003113CAA	11	1006014DAA	27
1002101DAA	17	1003114DAA	11	1006015DAA	27
1002102DAA	17	1003115DAA	11	1007011DAA	27
1002102DAA	31	1003201DAA	15	1007050DAA	27
1002103DAA	17	1003202DAA	15	1007101DAA	13
1002105DAA	17	1003204DAA01	15	1007102DAA	13
1002106DAA	17	1003205DAA	15	1007103DAA	11
1002108DAA	17	1003206DAH02	15	1007104DAA	13
1002111DAA	17	1003207DAA	13	1007105DAA	13
1002114DAA	17	1003208DAA	13	1007107DAA	11
1002115DAA	17	1003209DAA	13	1007109DAA	13
1002116DAA	17	1003211DAA	13	1007111DAA	13
1002118DAA	17	1003251DAA	15	1007150DAA	13
1002124DAA01	19	1003252DAA	15	1007151DAA	13
1002301DAA	19	1003253DAA	15	1007152DAA	13
1002302DAA	19	1003254DAA	15	1007161DAA	13
1002350DAA	19	1003255DAA	15	1008014DAA	11
1002351DAA	19	1003256DAA	15	1008050DAA	5
1002352DAA	19	1003260DAA	15	1008060DAA	11
1002401DAA01	21	1003270DAA	13	1008101DAA	3
1002402DAA	21	1003273DAL01	15	1008103DAF	3
1002404DAA	21	1004011CAA	31	1008104DAA	3

Numerical Index

PART NUMBER	PAGE	PART NUMBER	PAGE	PART NUMBER	PAGE
1008105DAF	3	1104052DAH01	37	1307105DAA	7
1008150DAF	3	1104060DAH01	37	1307106DAA	7
1008201DAG	5	1104070DAH01	37	1307107DAA	7
1009011DAA	23	1104090DAG	37	1307108DAA	7
1009012DAA	23	1104094DAG	37	1307109DAA	7
1009012DAF	3	1109011DAG	3	1307180DAA	7
1009051DAA	23	1109051DAF	3	1308001DAA	7
1009052DAA	23	1109100DAF	3	3701100DAA01	141
1009053DAA	23	1109150DAF	3	3708100DAL	141
1009600DAA	23	1111011DAA	37	3770100DAA	141
1011011DAA	33	1111100DAG	37	710006M2015	99
1011011DAA	33	1112001CAH	37	710011M2015	97
1011102DAA	33	1112050CAH	37	9200021BBA	43
1011104DAA	33	1117001DAH	39	9200022BBA01	43
1011106DAA	33	1117050DAH	39	9200023BBA01	43
1011107DAA	33	1117100DAH	39	9200024BBA	43
1011108DAA	33	1129100CAH	37	9200031BBA	43
1011109DAA	33	1129200DAA	37	9200040BBS02	43
1011111DAA	33	1129300DAA	37	9200101BBB	43
1011151DAA	33	1129400DAA	37	9200101BBS	43
1011152DAA	33	1201011DAG	5	9200103BBB01	43
1011161DAA	33	1201012DAG	5	9200112BBS	43
1011162DAA	33	1201013DAH	5	9200201BBA	43
1012011DAA	19	1201050DAG	5	9200202BBA	43
1012109CAA	35	1201100DAG	5	9200321BBA	43
1012151DAB	35	1203011DAL	5	9200323BBA	43
1012152DAB	35	1203011DAL	5	9200324BBA	43
1012160DAB	35	1301011DAA	9	9200325BBA	43
1012171DAB	35	1301012DAG	9	9200326BBA	43
1012172DAB	35	1301013DAL	9	9201322BBA	43
1012173DAB	35	1301014DAG	9	9210020BBS	47
1012174DAA	35	1301015DAL	9	9210021BBD	47
1012175DAA	35	1301050DAG	9	9210022BBS	47
1023011DAH01	17	1301100DAG02	9	9210030BBS	47
1023012DAH	17	1303001DAG	9	9210040BBS02	49
1023013DAA	19	1303011DAA	9	9210050BBB01	49
1023014DAH	19	1303012DAG	9	9210060BBS01	49
1023015DAH	77	1307001DAA	7	9210090BBB	49
1023015DAH	163	1307011DAA	7	9210106BAA	47
1023015DAL	19	1307012DAB	7	9210106BBA01	49
1026001DAA	25	1307013DAA	7	9210107AAA	49
1026011DAA	25	1307014DAA	7	9210107AAA	113
1026012DAA	25	1307100DAA	7	9210107BAA	75
1026013DAA	25	1307102DAA	7	9210107BBA01	49
1026014DAA	25	1307103DAA	7	9210108BAA	77
1104050DAH01	37	1307104DAA	7	9210108BBA	49

PART NUMBER	PAGE	PART NUMBER	PAGE	PART NUMBER	PAGE
9210109BBB	49	9311126ABA	61	9350020ABA	161
9210110BBB	49	9311127ABA	61	9350030AAA	155
9210110BBB	113	9311128ABA	59	9350030AAA	161
9210201BBD	47	9311129BBD	59	9350101ABA	161
9210202BBD	47	9311130ABA	57	9350102BBS02	161
9210203BBD	47	9311131ABA	55	9350401BBB	161
9210204BBD	47	9311132ABA	57	9370020BBB	81
9210205BBD	47	9311135BBD	55	9370030BBB	81
9210206BBD	47	9311201ABA	61	9370040BBB	81
9210207BBD	47	9311202ABA	59	9370050BBB	79
9210208BBD	47	9311203ABA	59	9370060BBB	83
9210209BBD	47	9311204ABA	59	9370070BBB	83
9210701BBB	49	9311205ABA	61	9370080BBB	79
9310081AAA	53	9311206ABA	61	9370101BBB01	77
9310082AAA	53	9311207ABA	61	9370102BBB01	79
9310090BBA	61	9311208ABA	59	9370103BBB01	79
9310114BBA	61	9311301ABA01	59	9370103BBD	81
9310117BBA	63	9311302ABA01	61	9370105BBB	83
9310809AAA	69	9311303ABA	59	9370106BBB	83
9311040ABA	53	9311305ABA	59	9370107BBB	83
9311050BBD	53	9311306ABA	61	9370108BBB	83
9311070ABA	55	9311307ABA	61	9370109BBB	83
9311080BBD	53	9311401ABA	53	9370110BBB	81
9311090ABA	53	9311402ABA	53	9370111BBB	79
9311101ABA01	59	9311402ABA	53	9370111BBB	81
9311102BBD	57	9311501BBD	53	9370112BBB	81
9311103ABA	57	9311601ABA	55	9370113BAA	83
9311104ABA	55	9311701ABA	55	9370114BBB	79
9311105ABA	53	9312020BBD	61	9370114BBB	81
9311106ABA	53	9312030ABA	61	9370114BBD	83
9311107ABA	57	9312040BBD	59	9370115BBB	83
9311108ABA	57	9312050ABA	57	9370116BBB	79
9311109BBD	57	9312201BBD	61	9370117BBB	79
9311110ABA	55	9312202ABA	61	9370117BBB	79
9311111ABA	53	9312401BBD	59	9370118BBB	83
9311114ABA	53	9312402ABA	59	9370118BBD	83
9311115ABA	53	9312601BBA	63	9370121BBB	83
9311116ABA	55	9320020BBB	117	9370122BBB	73
9311117ABA	57	9320021BBB	117	9370123BBB	73
9311118ABA	53	9320101BBB	117	9370124BBB02	73
9311119ABA	53	9320201BBB	117	9370126BBB	77
9311120ABA	57	9340020BBB	119	9370127BBB	77
9311121ABA	59	9340021BBB	119	9370129BBB	73
9311122ABA	57	9340101BBB	119	9370130BBB	73
9311123ABA	57	9340201BBB	119	9370131BBB	73
9311125ABA	61	9340202BAD	119	9370132BBB	73

PART NUMBER	PAGE	PART NUMBER	PAGE	PART NUMBER	PAGE
9370133AAA	75	9371202BBB	79	9381050BBS	97
9370133AAA	87	9371203BBB	79	9381101ABA	99
9370133BBB03	75	9371204BBB	81	9381102BBS01	97
9370134AAA	75	9371205BBB	81	9381103ABA	101
9370134BBB	83	9371301BBB	83	9381104ABA	101
9370135BBB	75	9380040AAA	97	9381105ABA	101
9370136BBB	79	9380050AAA	97	9381106ABA	101
9370137BBB	73	9380081BBA	97	9381107ABA	101
9370138BBB	73	9380102AAA	99	9390101BAA	105
9370139BBB	83	9380103AAA	97	9390102AAA	105
9370140BBB	73	9380104AAA	103	9390102ABA	105
9370141BBB	73	9380105AAA	97	9390103BBS	105
9370141BBB	73	9380106AAA	97	9390104BAB01	105
9370142BBB	73	9380107BAB	97	9390105BAB	105
9370143BBB	75	9380108AAA	97	9390106AAA01	105
9370144BBB	81	9380108AAA	157	9390107AAA	105
9370145BBB03	73	9380109AAA	97	9390108BAB	105
9370146BBB04	73	9380110BBA	97	9390109AAA	105
9370147BBB	81	9380111AAA	97	9400030BBB01	67
9370148BBB01	81	9380113AD01	99	9400060BBA01	67
9370149BBB	75	9380115AAA	89	9400070BBA01	67
9370150BBB	75	9380115AAA	97	9400080BBS01	67
9370151BBB	73	9380120AA001	85	9400103BBA	67
9370151BBB	73	9380120AAD	97	9400104BBD	69
9370153AAA	79	9380201BAB	101	9400105BBD	69
9370155BBB	77	9380202BAB	101	9400106BBD	69
9370156BBS	139	9380203BAB	101	9400108BBD	67
9370157BBS	139	9380204AAA	101	9400109BBA	69
9370162AAA	77	9380205AAA	101	9400301AAA	67
9370168AAD	81	9380206AAA	101	9400302BBB	67
9370190BBS01	73	9380207AAA	101	9401050BBA	67
9370301AAA	81	9380208AAA	101	9401070BBS	69
9370302AAA	81	9380210AAA	101	9401111ABA	69
9370303AAA	81	9380211AAA	101	9401112ABA	69
9370304AAA	81	9380212AAA	101	9402040BBB	67
9370305AAA	81	9380213BAB	103	9402050BBS	69
9370306AAA	81	9380301BAB	101	9402080BBB	69
9370307AAA	81	9380302BAB	103	9402101BBS	67
9370311AAA	81	9380303BAB	103	9403020BBA02	67
9370311AAA	81	9380304AAA	103	9403030BBA02	67
9370803BBB	79	9380305AAA	103	9410020BAA	91
9370901BBB01	81	9380306AAA	103	9410020BBB02	93
9371020BBB	79	9380308AAA	103	9410030AAB	93
9371030BBB	83	9380813BBA	99	9410040BAA02	93
9371040BBB02	73	9381020BBS	97	9410050BBS02	91
9371201BBB	79	9381030ABA	101	941005BBS	95

Numerical Index

PART NUMBER	PAGE	PART NUMBER	PAGE	PART NUMBER	PAGE
9410070BAB	93	9420112ABA	85	9432501ABS	109
9410080BBB01	93	9420112BBD	89	9432502BBS01	109
9410090BBB	91	9420113ABA	87	9433020BBS02	113
9410101BBD	91	9420114ABA	87	9433030BBS02	113
9410103AAA	91	9420116ABA	87	9433040BBS01	113
9410103BBD	95	9420117BBB	89	9433060BBS	113
9410104AAA	91	9420118ABA	89	9433070BBS	49
9410104BBD	95	9420120ABA	85	9440020BBA01	123
9410105BBB02	93	9420121ABA	85	9440030BBA01	123
9410106AAB	93	9420122ABA	85	9440102BBB	123
9410107BBB	93	9420123ABA	85	9460102BBB	125
9410109BAA	91	9420123BAB	87	9460109BBB	125
9410110BBB	91	9420125ABA	87	9461020BBB	125
9410111BAA	91	9420128ABA	89	9461030BBB	125
9410113AAB	91	9421050ABA	89	9461040BBB	125
9410114BAA	91	9421401ABA	89	9463001BBS	139
9410117BBA	91	9430030BBS02	113	9463101BBS	139
9410120AAB	93	9430040BBS02	113	9463102BBS	139
9410120BBS	91	9430101BBA	113	9463103BBS	139
9410121BAA	91	9430104BBS01	113	9463104BBS	139
9410123BAB	93	9430125BBB	113	9463105BBS01	139
9410124BAB	93	9430127BBB02	109	9463106BBS	139
9410128BBS	91	9430132BBS	49	9463107BBS	139
9410401BAA	93	9430150BBS01	109	9463108BBS	139
9410402BAA02	93	9430151BBS01	109	9463109BBS	139
9420020BBA	85	9431090BBA	113	9463111BBS	139
9420030BBB01	87	9432040ABS	109	9463112BBS	139
9420040BBA01	87	9432041BBS	109	9463113BBS	139
9420050BBA	87	9432043ABS01	109	9463115BBS01	139
9420060BBA	85	9432045BBS	111	9463116BBS	139
9420070ABA	85	9432050ABS	109	9463117BBS	139
9420080ABA	87	9432060BBS	113	9463119BBS01	139
9420102ABA	89	9432080BBS02	113	9463120BBS	139
9420103ABA	89	9432090BBS02	113	9463121BBS	139
9420104ABA	89	9432401ABS	109	9463122BBS01	123
9420105ABA	87	9432402BBS01	109	9463133BBS	139
9420106ABA	85	9432403BBS	109	9463134BBS	139
9420106BBD	87	9432404BBS	109	9470103BBS	163
9420107ABA	89	9432405BBS	109	9471020BBB02	129
9420107BBA	85	9432406BBS	109	9471030BBS02	129
9420108BBD	85	9432421BBS	109	9471040BBS01	129
9420109ABA	89	9432422BBS	109	9471050BBS	129
9420110ABA	85	9432423BBS	109	9471070BBS01	129
9420110BBD	85	9432424BBS	109	9471090BBS	129
9420111ABA	89	9432425BBS	109	9471101BBS	131
9420111BBD	85	9432426BBS	109	9471102BBS	131

Numerical Index

PART NUMBER	PAGE	PART NUMBER	PAGE	PART NUMBER	PAGE
9471111BBQ	129	9480117AAD	141	9551030BBB01	145
9471121BBB01	131	9480119BBS	141	9551201BBA	147
9471124AAJ	129	9480120BBS	141	9551202BBA	147
9471126AAJ	129	9480122BBB	141	9552020BBB	145
9471128BBS02	129	9480138BBS	141	9552030BBB01	145
9472020BBB01	135	9480402BBS03	141	9552050BBS	133
9472030BBB01	133	9480404BBS	141	9552101BBB	153
9472040BBS	135	9480408BBS	141	9552102BBB	153
9472050BBS	133	9480411BBS01	141	9552103BBB	153
9472060BBA	133	9480414BBB	141	9552104BBS	145
9472070BBA	133	9480417BBS	141	9552105BBB01	145
9472090BBS	135	9480503AAA02	141	9552401BBB	145
9472101BBB01	133	9480601AAA	141	9552402BBB	145
9472101BBS	133	9500020BBA01	137	9552403BBB	145
9472102BBB01	133	9500040AAD01	137	9560021BBA	155
9472102BBS	133	9500040BBA	137	9560022BBA	155
9472103BBA	135	9500101BBA02	137	9560023BBA	155
9472103BBB01	133	9500103BBS	137	9560031BBA	155
9472104BBB	135	9500107AAA	131	9560032BBA	155
9472106BBA	133	9500602BBS	129	9560033BBA	155
9472107BBA	43	9540052BBS	157	9560040BAA	155
9472108BBS01	133	9550031BBS	153	9560050BBS	155
9472109BBB	133	9550032BBB	153	9560060BAA	155
9472109BBB	135	9550033BBS	153	9560070BBS	155
9472111BBS	133	9550080BBS	145	9560101AAA	155
9472503BBB01	135	9550090BAA	145	9560102AAA	155
9472504BBB01	135	9550101BAA01	145	9560104AAA	155
9473010BBB	135	9550102AAA	145	9560105AAA01	155
9473101BBB	135	9550103AAA	61	9561030BBB01	155
9474020BBQ01	129	9550103AAA	145	9570020BBB	149
9474030BBS	129	9550104AAA	145	9570030BBS	149
9474040BBS	129	9550105AAA	147	9580020BBS	157
9480021BBS02	141	9550106AAA	147	9580031BBB	157
9480022BBS02	141	9550107AAA	145	9580050BBS	157
9480043BBS	141	9550108AAA	145	9580102BAB	69
9480044BBS	141	9550109AAA	145	9580317BAB	157
9480054BBS	141	9550110BBB	147	9580318BAB	157
9480055BBS01	141	9550112AAA	147	9580319BAB	157
9480061BBS	141	9550113AAA	147	9580320BAB	157
9480090BBS	141	9550113AAA	153	9580321BAB	157
9480103BBS	141	9550114BAA	147	9580322BAB	157
9480106ABA	141	9550117BBA	145	9580323BAB	157
9480107ABA	141	9550307BBD	67	9740101BBS	163
9480108AAA	141	9550307BBD	153	9750101BBB	119
9480113AAB	141	9550308BBB	153	BZZI80	67
9480117AAD	141	9551022BBS	147	FLDD6	67

Numerical Index

PART NUMBER	PAGE	PART NUMBER	PAGE	PART NUMBER	PAGE
G109679C1065	29	G1235764035	59	G2778950209	83
G109679C825	27	G1235764035	157	G2778950306	91
G115276M6	89	G1235764135	55	G2778950307	91
G115279M101	55	G1235765057F	145	G2778960205	89
G115279M101	59	G1235765531	3	G278894524906	89
G115279M6	77	G1235765531	89	G2788960203	29
G115289M6	155	G1235767031	61	G2788960203	47
G11538945M6	69	G1235767531	21	G2978420007111	101
G11786428	7	G1235767531	59	G297842007106E	59
G1198610335	75	G1235768031F	85	G297842007109E	61
G119868ga35	61	G1235768031F	145	G2978427306E	59
G119868gal4	61	G1235768531	59	G2978427307E	103
G11986A1016	17	G1235769031	61	G297867507	103
G11986A1025	29	G1235769531F	147	G2979911258018	119
G11986A1030	69	G1235772224F	69	G2979912785015	117
G11986A1620	101	G1261890329	129	G301848106	53
G11986A1624	53	G1488M830	135	G3058947527	87
G11986A412	33	G14M830	135	G3058972786	81
G11986A520	33	G217688M1228	59	G3058972786	91
G11986A620	19	G2176M102588	145	G3058980866	91
G11986A830	75	G2176M1028109	55	G3058985	83
G11986D1045	47	G2176M103088	145	G3088410	33
G11986D820	55	G2176M104088	85	G3088410	35
G1235761019F	147	G27689106	25	G308843	11
G12357611031F	105	G27689106	83	G3088910G100B	87
G1235761419F	67	G27689106	91	G308891564	79
G1235761419F	147	G27689108	79	G3088938	75
G1235761424	13	G27689110	57	G308895	151
G1235761424F	87	G27689110	105	G3088978CN	111
G1235761524F	97	G27689205	79	G308898G100B	93
G1235761624	15	G27689205	85	G309773198	81
G1235761624F	67	G27689206	53	G3098425198	79
G1235761624F	151	G27689206	95	G345282118265F	153
G1235762024	19	G27689207	57	G34528215265	151
G1235762024	23	G27689207	79	G3452821618	149
G1235762024	101	G27689208	53	G34528219265	151
G1235762024F	69	G27689208	83	G3452822120355F	59
G1235762024F	85	G27689209	83	G34528221265	149
G1235762224	75	G27689211	105	G34528295265	149
G1235762224F	157	G27689304	87	G4186M12	43
G1235762524	79	G27689305	53	G469267DSZ254010	79
G1235762524	93	G27689306	83	G52878028	129
G1235763231	7	G27689306	91	G52878512	43
G1235763531	61	G27689307	105	G578200M1235	77
G1235763635F	105	G2778950204	89	G578200M1235109	77
G1235763831	13	G2778950207	81	G578286M10110	47

Numerical Index

PART NUMBER	PAGE	PART NUMBER	PAGE	PART NUMBER	PAGE
G578286M1030	133	G578386M1030	17	G578386M825	85
G578286M1045	97	G578386M1030	57	G578386M825	129
G578286M1070	97	G578386M1030	123	G578386M825	133
G578286M1090	21	G578386M1030	129	G578386M825109	61
G578286M12160	91	G578386M1035	125	G578386M830	11
G578286M1220	79	G578386M12	9	G578386M830	17
G578286M1245	75	G578386M1215252	101	G578386M830	59
G578286M1260	125	G578386M1225	17	G578386M830	73
G578286M1270	81	G578386M1225	101	G578386M835	63
G578286M16200	125	G578386M1230	101	G578386M835	69
G578286M1655	59	G578386M1230	103	G578386M840	153
G578286M1660	119	G578386M1230	135	G578386M850	19
G578286M24100	125	G578386M1235	69	G578586M141580	117
G578286M65	67	G578386M1235	101	G580186924314	103
G578286M830	35	G578386M1235	105	G617000M10	43
G578286M835	5	G578386M1235	155	G617000M10	49
G578286M835	25	G578386M1240	61	G617000M10	95
G578286M835	157	G578386M1245	113	G617000M12	109
G578286M840	7	G578386M1250	75	G617086M10	21
G578286M845	7	G578386M1255	123	G617086M10	47
G578286M845	25	G578386M1430	55	G617086M10	75
G578286M845	157	G578386M1455	147	G617086M10	87
G578286M850	7	G578386M1635	105	G617086M10	125
G578286M850	13	G578386M1640	161	G617086M10	129
G578286M850	157	G578386M1640	163	G617086M10	133
G578286M855	21	G578386M612	5	G617086M12	9
G578286M865	21	G578386M612	5	G617086M12	77
G578286M875	23	G578386M612	13	G617086M12	87
G578286M890	23	G578386M612	21	G617086M12	87
G578300M1025	95	G578386M612	61	G617086M12	93
G578386M1012	95	G578386M616	7	G617086M12	97
G578386M1016	93	G578386M620	7	G617086M12	99
G578386M1016	149	G578386M620	73	G617086M12	125
G578386M1020	49	G578386M812	75	G617086M14	49
G578386M1020	67	G578386M816	3	G617086M14	73
G578386M1020	79	G578386M816	17	G617086M14L	49
G578386M1020	97	G578386M816	27	G617086M16	105
G578386M1020	111	G578386M816	43	G617086M16	125
G578386M1020	137	G578386M816	87	G617086M16	147
G578386M1025	55	G578386M820	7	G617086M16	155
G578386M1025	83	G578386M820	13	G617086M16	163
G578386M1025	99	G578386M820	21	G617086M24	125
G578386M1025	157	G578386M820	73	G617086M5	135
G578386M1025109	103	G578386M820	105	G617086M5	137
G578386M1028	109	G578386M825	23	G617086M6	5
G578386M1028109	55	G578386M825	77	G617086M6	133

Numerical Index

PART NUMBER	PAGE	PART NUMBER	PAGE	PART NUMBER	PAGE
G617086M8	5	G8488512	69	G8938655	83
G617086M8	47	G848856A	43	G8938655	85
G617086M8	129	G8587639	83	G8938662	53
G617086M8	133	G8588827	63	G8938672	79
G617086M86	3	G8588839	53	G8948616	77
G617086M86	11	G8598710	149	G8948622	93
G617086M86	21	G87986320	155	G8948624	85
G617088M16	119	G87986425	43	G8948624	113
G617186M101	93	G87986516	145	G8948630	49
G617186M101	157	G87986522	77	G8948630	83
G617186M1415	117	G87986524	149	G8948630	89
G617186M1615	119	G87986532	87	G8948630	91
G617186M86	13	G87986535	49	G8948630	113
G6172866	13	G87986535	93	G8948635	81
G617286M14	89	G87986540	97	G895864	149
G617286M1815	69	G87986550	91	G8968612	13
G617286M20	155	G87986550	95	G89886M870	13
G617286M22	155	G87986628	73	G89888AM816	3
G617286M22L	155	G87986628	97	G89888AM820	5
G617286M8	145	G87986635	89	G89888AM825	11
G617286M8L	145	G87986645	83	G89888AM830	21
G617386M1415	35	G87986650	145	G89888AM855	11
G617386M1615	67	G87986822	73	G89888AM1211088	99
G617386M1615L	53	G87986832	87	G89888AM1211588	99
G617386M1815	75	G87986835	49	G89888AM123088	97
G617386M2015	35	G87986835	85	G89888AM163088	163
G617386M615	53	G87986835	93	G89888M1630	105
G618586M12	43	G87986835	113	G89888M865	13
G6288M6	149	G87986840	99	G9186212	151
G6585M616	151	G87986845	113	G9186216	145
G6785M48	147	G87986850	91	G9186220	43
G6785M630	15	G882518	43	G9186220	129
G7085M825	25	G88286B1028	87	G91862520	111
G7085M835	153	G88286B1028	113	G9186320	47
G7385M810	19	G88286B1028	113	G91863220	69
G7585M830	75	G88286B1030	91	G91863220	93
G81088M2715	59	G88286B104510	47	G91863224	49
G81276M3915	83	G88286B1235	111	G91863225	87
G81288M3915	53	G88286B1268	109	G91863225	93
G81885M512	129	G88286B1435	49	G91863230	113
G81885M530	135	G88286B1645	155	G9186420	111
G81885M620	133	G88286B1675	155	G9186430	75
G81885M630	135	G88286B2275	125	G9186430	155
G81885M820	133	G89318728	31	G927858	21
G8278625	15	G8938570	111	G93858	35
G8488510	47	G8938630	7	G938710	17

Numerical Index

PART NUMBER	PAGE	PART NUMBER	PAGE	PART NUMBER	PAGE
G938710	21	G938716	161	G96854C	147
G938710	43	G938716	163	G96856	135
G938710	47	G938718	69	G970210	49
G938710	49	G938724	125	G970216	49
G938710	55	G93874	147	G972856	13
G938710	67	G93875	135	G978510	21
G938710	75	G93875	137	G978510	47
G938710	79	G93876	5	G978510	49
G938710	85	G93876	5	G978510	75
G938710	93	G93876	5	G978510	87
G938710	95	G93876	7	G978510	93
G938710	97	G93876	13	G978510	95
G938710	109	G93876	21	G978510	113
G938710	123	G93876	33	G978510	123
G938710	129	G93876	61	G978510	129
G938710	133	G93876	73	G978510	133
G938710	137	G93876	133	G978510	137
G938710	145	G93876	149	G978512	9
G938710	157	G93878	3	G978512	43
G938712	17	G93878	5	G978512	43
G938712	27	G93878	7	G978512	87
G938712	59	G93878	9	G978512	97
G938712	61	G93878	11	G978512	99
G938712	69	G93878	17	G978514	49
G938712	75	G93878	17	G978514	117
G938712	79	G93878	21	G978516	119
G938712	87	G93878	23	G978516	119
G938712	91	G93878	25	G978516	125
G938712	97	G93878	27	G978520	97
G938712	99	G93878	35	G978524	113
G938712	101	G93878	59	G978524	125
G938712	105	G93878	67	G97855	135
G938712	113	G93878	73	G97856	7
G938712	123	G93878	85	G97856	133
G938712	125	G93878	105	G97856	151
G938712	135	G93878	129	G97858	9
G938712	155	G93878	133	G97858	11
G938714	55	G93878	135	G97858	43
G938714	117	G93878	153	G97858	129
G938714	147	G93878	157	G97858	133
G938716	59	G93878	157	G97858	145
G938716	105	G945988M1215	69	G97858	149
G938716	119	G958516	73	G97858200HV	3
G938716	125	G959488M8	111	G97858200HV	7
G938716	147	G968512	89	G97866200HV	5
G938716	155	G968512	93	G987788B507012F	109

Numerical Index

PART NUMBER	PAGE	PART NUMBER	PAGE	PART NUMBER	PAGE
G987788B507212F	53	T3057124	149		
G987788FB254210F	85	T3057125	151		
G987788FB355612F	59	T3057127	151		
G987788FB355612F	91	T3057128	151		
G987788FB50727F	53	T3057137	151		
G987788FB609012F	105	T3057138	151		
G987798B507012F	105	T3057139	151		
H454867862535180	157	T3057140	151		
H469267DSZ406210	79	T3057142	149		
HG091427	69	T3057143	149		
HG092751	85	T3057144	149		
HG092751	157	T3057145	149		
HG094670	85	T3057159161	151		
J10027714	69	T33057123	149		
J10027722	147	ZBT32001Z12	55		
J6015	37	ZBT320058840	9		
J9827720	67				
J9827720	153				
J9827724	67				
J9907714	67				
J99977M141532	69				
Q37799M12	75				
Q673B09	9				
Q673B115	37				
Q674073007300	37				
Q6766464	3				
T3057016	149				
T3057102	151				
T3057103	151				
T3057104	151				
T3057105	151				
T3057106	151				
T3057107	151				
T3057108	149				
T3057109	149				
T3057110	149				
T3057112	151				
T3057113	151				
T3057114	151				
T3057115	149				
T3057117	149				
T3057118	149				
T3057119	149				
T3057120	149				
T3057121	149				
T3057122	151				